

## AWL-440BL

## NEOMOUNTS MEDIA PLAYER HOLDER

### SPECIFICATIONS

#### GENERAL

|             |                   |
|-------------|-------------------|
| Min. weight | 0 kg (per screen) |
| Max. weight | 5 kg (per screen) |

#### FUNCTIONALITY

|                  |            |
|------------------|------------|
| Type             | Fixed      |
| Depth adjustment | 2,4-3,8 cm |
| Height           | 14 cm      |
| Width            | 12,8 cm    |
| Depth            | 4,6 cm     |

#### INFORMATION

|               |               |
|---------------|---------------|
| Color         | Black         |
| Main material | Steel         |
| Warranty      | 5 year        |
| EAN code      | 8717371449094 |

\*Please note: The inch sizes stated are just an indication, combined with the weight and VESA sizes. The maximum weight and VESA size are absolute restrictions for the products and should not be exceeded.



Neomounts



Neomounts

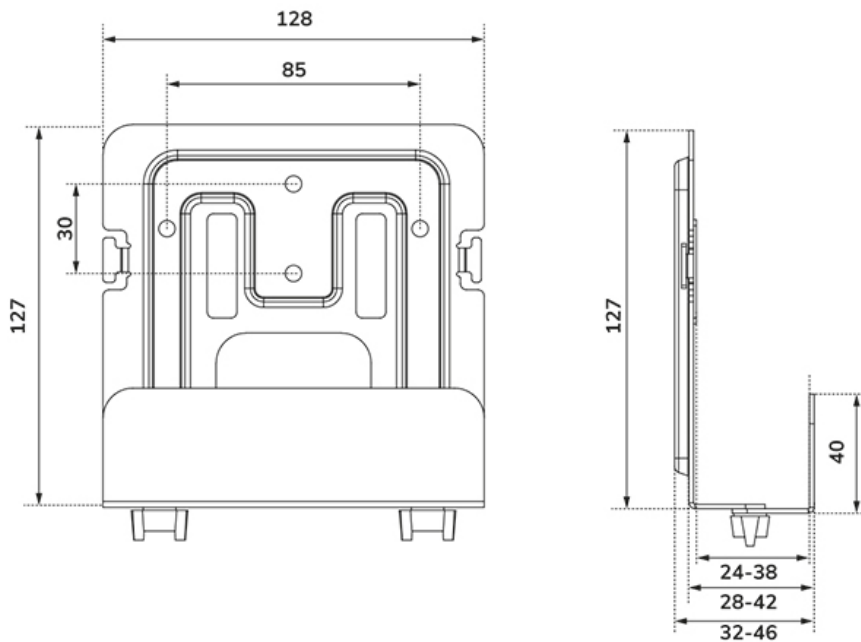
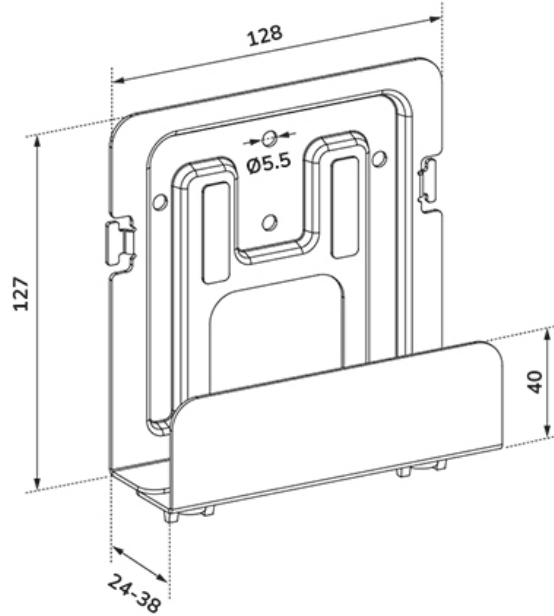
**The Neomounts AWL-440BL is a universal, depth adjustable (2,4-3,8 cm) media player holder - Black**

The Neomounts AWL-440BL is a universal media player holder with a width of 12,8 cm and very useful as support for media players and other small hardware devices.

The adjustable design makes the holder compatible with a wide range of media players, cable and satellite boxes. The depth of the media player holder can easily be adjusted from 2,4 to 3,8 cm, using the convenient knobs. The elastic straps guarantee safe and solid positioning of your devices.

AWL-440BL

## NEOMOUNTS MEDIA PLAYER HOLDER



Neomounts

Measuring unit: mm