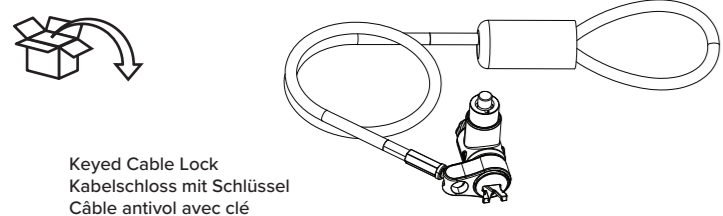


330.2 mm

Targus User Guide

ASP95GL | ASP95MKGLX



Keyed Cable Lock
Kabelschloss mit Schlüssel
Câble antivol avec clé
Luchetto a covo con chiave
Kabelslet met sleutel
Cadeado com cabo e chave
Anahatır Kablo Kiliti
Candado con llave e clave de seguridad
Замок с трисомом и ключом

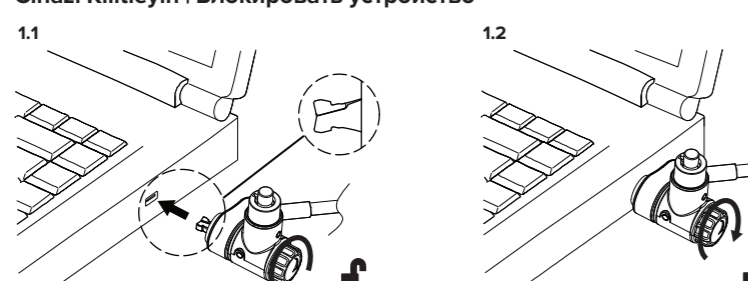


Keys
Schlüssel
Clés
Chiavi
Sleutels
Chaves
Anahatırlar
Llaves
Ключи

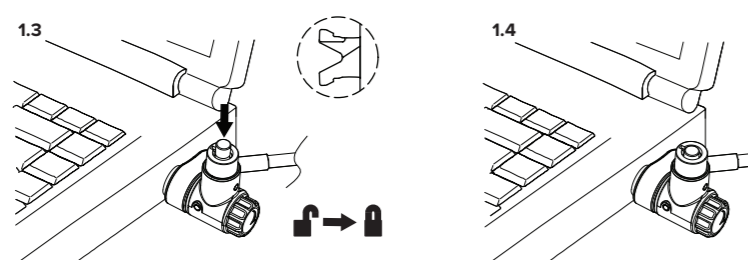
User Guide
Benutzerhandbuch
Guia del usuario
Guia de l'usuàriador
Guida utente
Gebruikershandleiding
Manual do Utilizador
Kullanıcı kılavuzu
Руководство по эксплуатации

Lock the Device

Gerät sperren | Bloquer el dispositivo | Verrouiller l'appareil | Bloccare il dispositivo | Het apparaat vergrendelen | Prender o dispositivo | Çıhazı Kilitleyin | Блокировать устройство



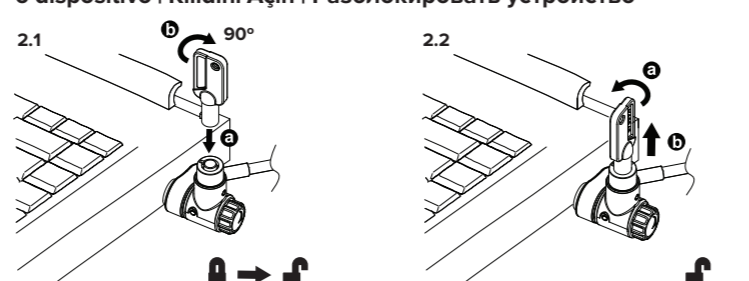
Before any operation, ensure crown is shifted fully anti-clockwise. Insert the key to the slot... Turn the crown clockwise to its limit to make sure the tip is fully engaged.



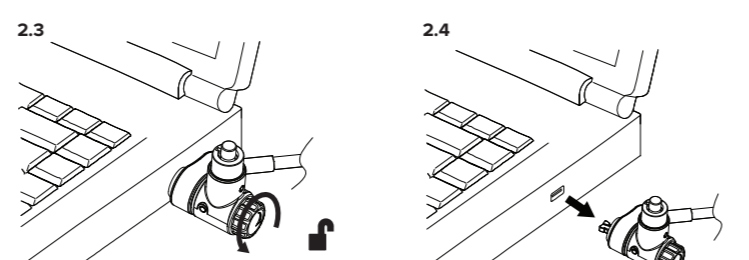
Push the button to lock the device. Make sure the button is fully depressed. Pull it back out to the level of the crown. Do not depress again until ready to unlock.

Unlock the Device

Gerät entsperren | Desbloquer el dispositivo | Déverrouiller l'appareil | Sbloccare il dispositivo | Het apparaat ontgrendelen | Desprender o dispositivo | Çıhazı Kilitlendin | Разблокировать устройство



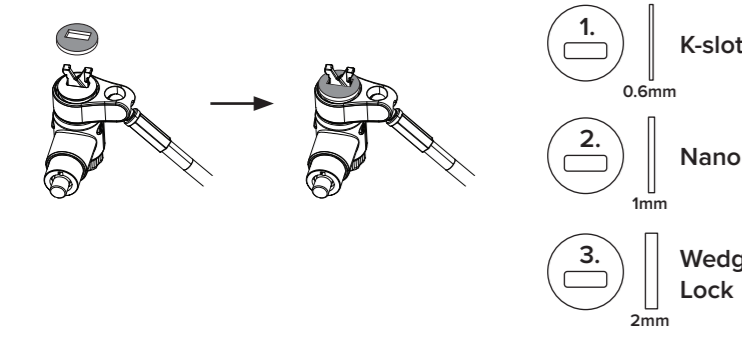
Insert the key, turn the key 90° clockwise to unlock. Turn clockwise until you feel resistance. Turn the key 90° counter-clockwise to the stop. Turn the key 90° counter-clockwise to the stop. Turn the key 90° counter-clockwise to the stop.



Rotate the crown anti-clockwise to its limit. Do not force the crown. Turn the crown counter-clockwise until you feel resistance. Turn the crown counter-clockwise until you feel resistance.

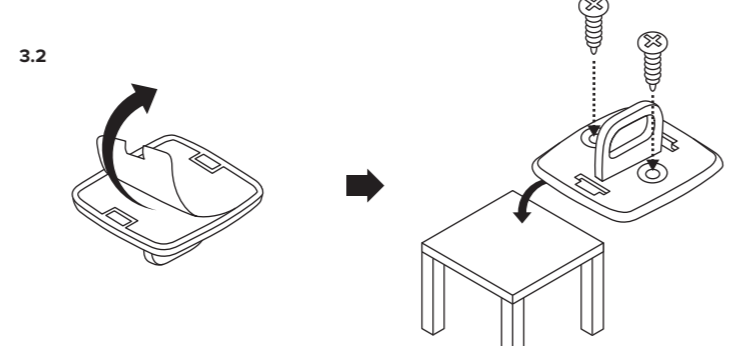
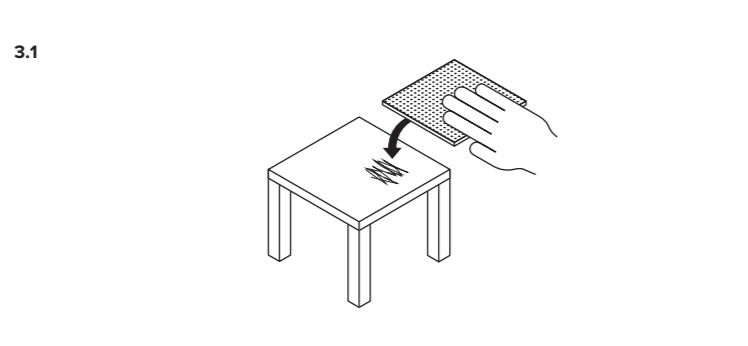
Attach the Foam Spacer

Befestigen Sie die Schutzpolsterung | Fija el separador de espuma | Installel l'espacer en mousse | Collegare il distanzatore in schiuma | Bevestig de afstandhouder van schuim | Fixar o Espaciador de Espuma | Köpük Ara Parçasını Takın | Прикрепите прокладку из пеноматериала



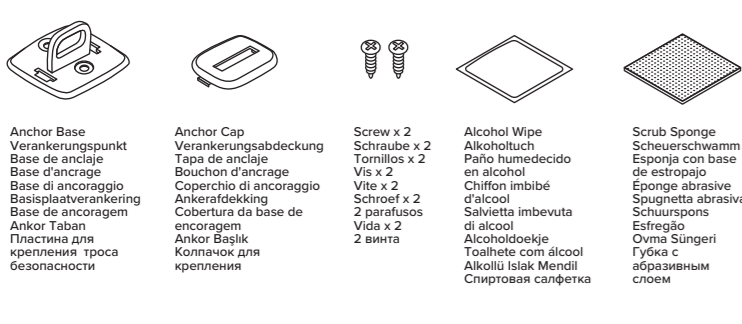
OPTION A: Secure with the Anchor (Sold Separately)

OPTION A: Mit der Verankerung sichern (Separat erhältlich) | OPCIÓN A: Asegurar a la base (Vendida por separado) | OPTION A : fixer avec l'ancrage (Vendue séparément) | OPZIONE A: Fissaggio con ancoraggio (Venduta separatamente) | OPTIE A: Bevestigen met het anker(af apart verkrijgbaar) | OPCÃO A: fixar com a base de ancoragem (vendida separadamente) | SEÇENEK A: Ankorita Sabitlemek (Ayrı Satılır) | ВАРІАНТ А: фіксація при допомозі кріплення (продається окремо)



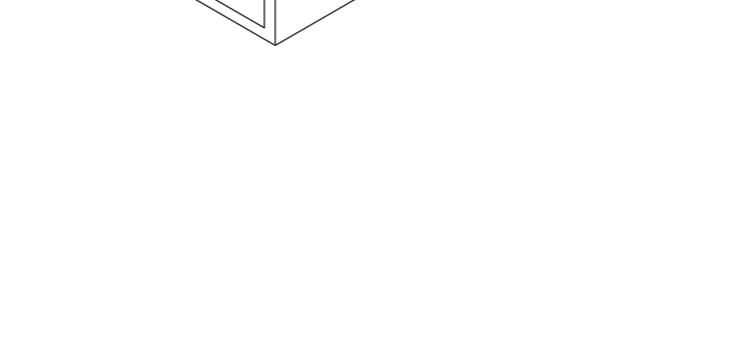
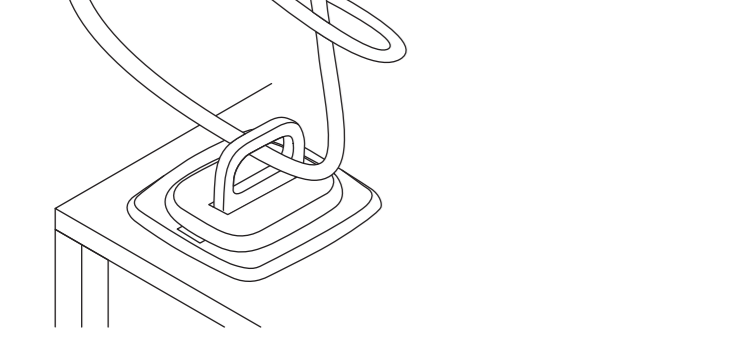
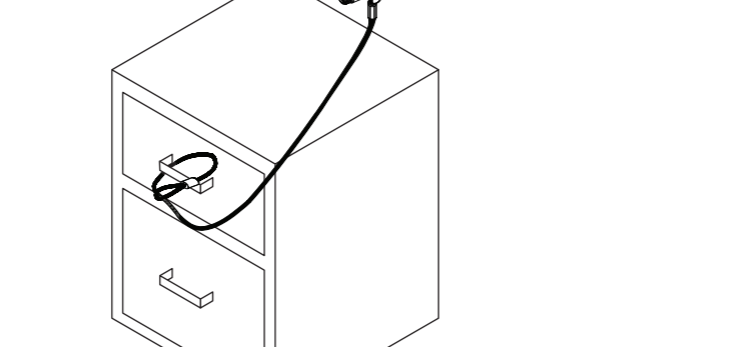
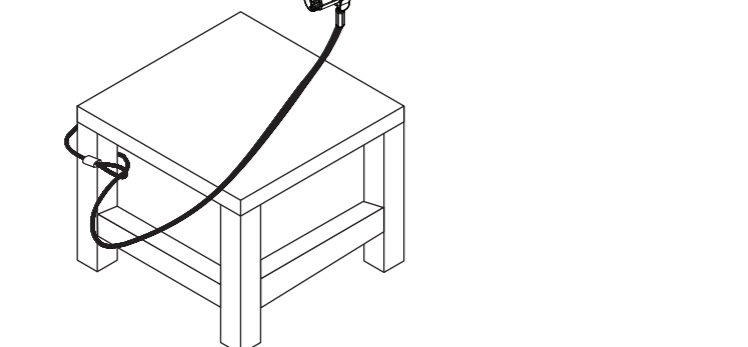
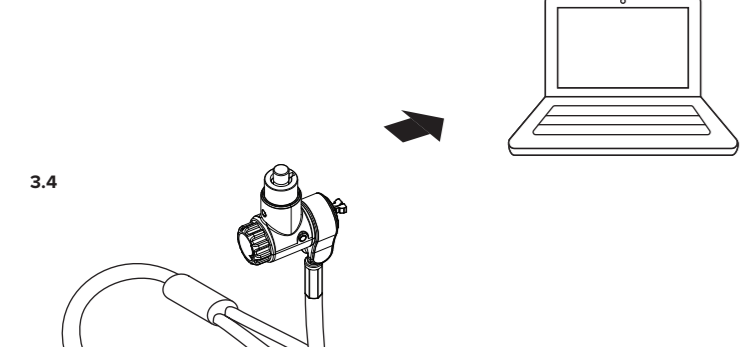
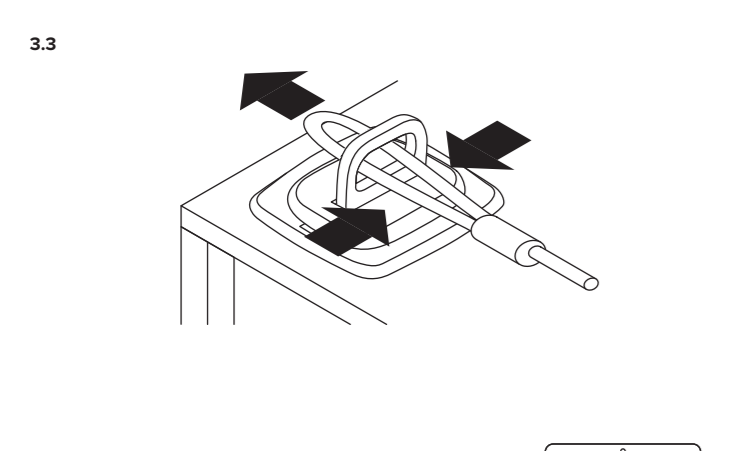
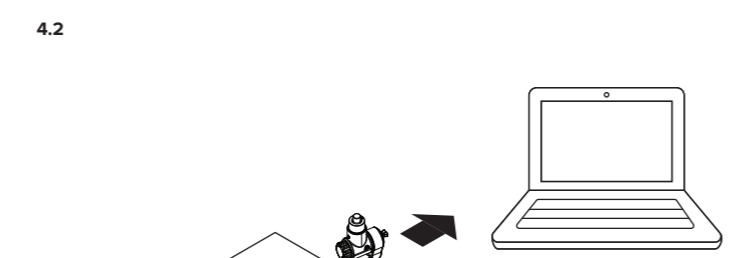
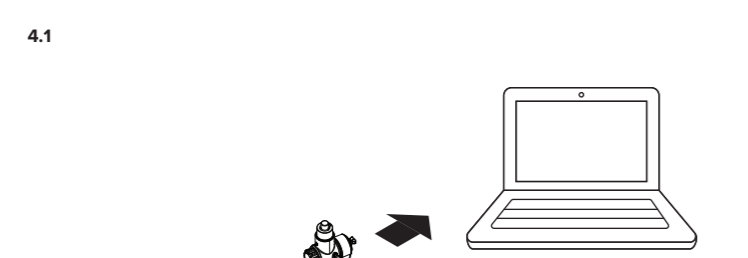
DEFCON Security BasePlate - PA400P (Sold Separately)

DEFCON Sicherheitsplatte - PA400P (Separat erhältlich) | Placa de soporte de seguridad DEFCON - PA400P (Vendida por separado) | Plaque de base de sécurité DEFCON - PA400P (Vendue séparément) | Plastru base di sicurezza DEFCON - PA400P (Venduta separatamente) | DEFCON basisplaat - PA400P (apart verkrijgbaar) | Placa base de segurança DEFCON - PA400P (vendida separadamente) | DEFCON Güvenlik Tabanı Plakası - PA400P (Ayrı Satılır) | Опорная плита безопасности DEFCON - PA400P (продается отдельно)



OPTION B: Securing Without Anchor

OPTION B: Ohne Verankerung sichern | OPCIÓN B: Asegurar sin la base | OPTION B : fixer sans l'ancrage | OPZIONE B: Fissaggio senza ancoraggio | OPTIE B: Bevestigen zonder anker | OPCÃO B: fixar sem a base de ancoragem | SEÇENEK B: Ankoruz Sabitlemek | ВАРІАНТ Б: фіксація без кріплення



ENG Warranty

2 YEAR LIMITED WARRANTY: We pride ourselves on the quality of our products. For complete warranty details and a list of our worldwide offices, please visit www.targus.com.

Targus product warranty does not cover any device or product that is not manufactured by Targus (including, but not limited to, laptops, smartphones, devices, or any other product that may be used in connection with the Targus product).

Product Registration

Targus recommends that you register your Targus accessory shortly after purchasing it. Go to targus.com/us/product_registration

You will need to provide your full name, email address, country of residence and product information.

Technical Support

For technical questions, please visit:
USA: targus.com/us/support
Australia: targus.com/au/support
Latin America: soporte@targus.com

DE Garantie

2 JAHRE BEGRENZTE GARANTIE: Wir sind stolz auf die Qualität unserer Produkte. Einzelheiten zur Garantie und eine Übersicht der Niederlassungen weltweit finden Sie unter www.targus.com.

Die Produktgarantie von Targus deckt keine Geräte oder Produkte ab, die nicht von Targus gefertigt wurden (einschließlich, aber nicht beschränkt auf Notebooks, Smartphones, Geräte oder sonstige Produkte, die zusammen mit dem Targus Produkt verwendet werden können).

Produktregistrierung

Targus empfiehlt, dass Sie Ihr Targus Zubehör nach dem Kauf zeitnah registrieren. Gehen Sie zu targus.com/us/product_registration

Sie müssen Ihren vollständigen Namen, E-Mail-Adresse, Land des Wohnsitzes und Produktinformationen angeben.

Technischer Support

Bei technischen Fragen besuchen Sie bitte:
USA: targus.com/us/support
Australia: targus.com/au/support
Latin America: soporte@targus.com

ES Garantía

2 AÑO DE GARANTÍA LIMITADA: Estamos orgullosos de la calidad de nuestros productos. Si desea consultar toda la información relativa a la garantía y una lista de nuestras oficinas en todo el mundo, visite www.targus.com.

La garantía del producto de Targus cubre ningún dispositivo o producto que no haya sido fabricado por Targus (incluidos, sin limitación, ordenadores portátiles, smartphones, dispositivos o cualquier otro producto que pueda ser utilizado en conexión con el producto de Targus).

Registro del producto

Targus le recomendamos que registre su accesorio de Targus cuanto antes tras la compra. Visite targus.com/us/product_registration

Para el registro debe proporcionar su nombre completo, dirección de correo electrónico, país de residencia e información del producto.

Asistencia técnica

Para consultas técnicas, visite:
USA: targus.com/us/support
Australia: targus.com/au/support
Latin America: soporte@targus.com

FR Garantie

GARANTIE LIMITÉE À 2 ANS: nous sommes fiers de la qualité de nos produits. Pour avoir des informations complètes sur nos garanties et une liste de nos bureaux à travers le monde, veuillez consulter le site www.targus.com.

La garantie produit de Targus ne couvre pas tout appareil ou produit non fabriqué par Targus (notamment les ordinateurs portables, smartphones, périphériques ou autres produits pouvant être utilisés en lien avec le produit Targus).

Enregistrement du produit

Targus vous recommande d'enregistrer votre accessoire Targus immédiatement après l'achat. Allez sur targus.com/us/product_registration

Assistance technique

Pour de plus amples informations, veuillez consulter le site:
USA: targus.com/us/support
Australia: targus.com/au/support
Latin America: soporte@targus.com

IT Garanzia

GARANZIA LIMITATA DI 2 ANNI: Siamo orgogliosi della qualità dei nostri prodotti. Per conoscere i dettagli completi della garanzia e avere un elenco dei nostri uffici nel mondo, visitate www.targus.com.

La garanzia del prodotto Targus non copre alcun dispositivo o prodotto che non sia stato fabbricato da Targus (inclusi, senza essere limitati a, computer portatili, smartphone, dispositivi, o ogni altro prodotto che possa essere usato in collegamento con il prodotto Targus).

Registrazione prodotto

Targus consiglia di registrare il vostro accessorio Targus entro breve tempo dall'acquisto. Andate su targus.com/us/product_registration

Supporto tecnico

Per domande tecniche, si prega di visitare:
USA: targus.com/us/support
Australia: targus.com/au/support
Latin America: soporte@targus.com

NL Garantie

2 JAAR BEPERKTE GARANTIE: We zijn trots op de kwaliteit van onze producten. Voor volledige garantietails en een lijst van onze internationale kantoren, gaat u naar www.targus.com.

De productgarantie van Targus dekt geen apparaten of producten die niet geproduceerd zijn door Targus (inclusief maar niet beperkt tot laptops, smartphones, apparaten of andere producten die gebruikt kunnen worden in combinatie met het product van Targus).

Productregistratie

Targus raadt u aan uw Targus-accessoire kort na aankoop te registreren. Ga naar targus.com/us/product_registration

Technische ondersteuning

Ga voor technische vragen naar:
USA: targus.com/us/support
Australia: targus.com/au/support
Latin America: soporte@targus.com

PT Garantia

GARANTIA LIMITADA DE 2 ANOS: Orgulhamo-nos da qualidade dos nossos produtos. Para obter informações completas sobre a garantia e uma lista dos nossos escritórios em todo o mundo, consulte www.targus.com.

A garantia de produto Targus não cobre nenhum dispositivo ou produto que não tenha sido fabricado pela Targus (incluindo, entre outros, computadores portáteis, smartphones, dispositivos ou outros produtos utilizados em conjunto com o produto Targus).

Registro do produto

A Targus recomenda o registro do seu acessório Targus logo após a respectiva compra. Visite targus.com/us/product_registration

Apoio técnico

Para questões técnicas, consulte:
USA: targus.com/us/support
Australia: targus.com/au/support
Latin America: soporte@targus.com

TR Garanti

2 YIL SINIRLI GARANTI: Ürünlerimizin kalitesinden gurur duyuyoruz. Garanti koşulları hakkında ayrıntılı bilgi ve tüm dünyadaki ofislerimizin bir listesini için lütfen ziyaret edin: www.targus.com

Targus ürün garantisini (laptoplar, akıllı telefonlar, cihazlar veya Targus ürünü ile bağlantılı olarak kullanılabilecek diğer tüm ürünler dahil olmak, ancak bunlarla sınırlı olmak kaydıyla) Targus tarafından üretilmiş herhangi bir cihaz ya da ürünü kapsamaz.

Ürün Kaydı

Targus, Targus aksesuarınızı satın aldıktan sonra mümkün olan en kısa sürede kaydettirmenizi önerir. targus.com/us/product_registration (ürün kaydı) sayfasına gidin.

Teknik Destek

Teknik sorularınız için, lütfen web sitemizi ziyaret edin:
USA: targus.com/us/support
Australia: targus.com/au/support
Latin America: soporte@targus.com

RU Гарантия

2-ЛЕТНЯЯ ОГРАНИЧЕННАЯ ГАРАНТИЯ: Мы гордимся качеством нашей продукции. Более подробную информацию о гарантии и список наших офисов в разных странах можно найти на сайте www.targus.com.

Гарантия на изделия Targus не распространяется на устройства или товары, которые не были произведены компанией Targus (включая, помимо прочего, ноутбуки, смартфоны, устройства или любые другие изделия, которые можно использовать в сочетании с изделием Targus).

Регистрация продукта

Компания Targus рекомендует зарегистрировать изделие Targus сразу после его приобретения. Для этого перейдите в раздел targus.com/us/product_registration

Техническая поддержка

При возникновении технических вопросов, пожалуйста, посетите следующие веб-сайты:
USA: targus.com/us/support
Australia: targus.com/au/support
Latin America: soporte@targus.com

AUSTRALIAN AND NEW ZEALAND CONSUMERS ONLY

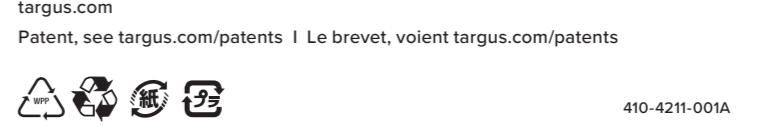
Thank you for your purchase. Targus warrants to the original purchaser that its products are free from defects in materials and workmanship, during the specified warranty period, and lasts as long as the original purchaser owns the product.

In the event that the Targus product has a defect in materials or workmanship Targus will, after receiving a warranty claim and inspecting the product, at its discretion, do one of the following: repair, replace, or refund with the same or a similar product (or part) of no lesser quality and ship it to the original purchaser at Targus' expense.

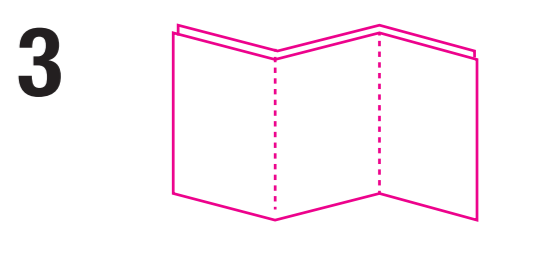
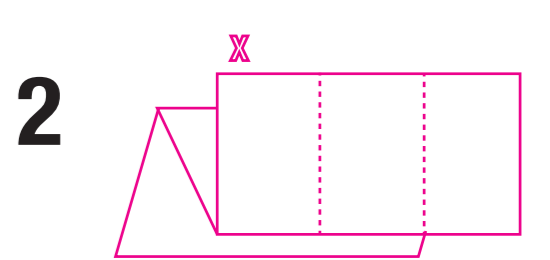
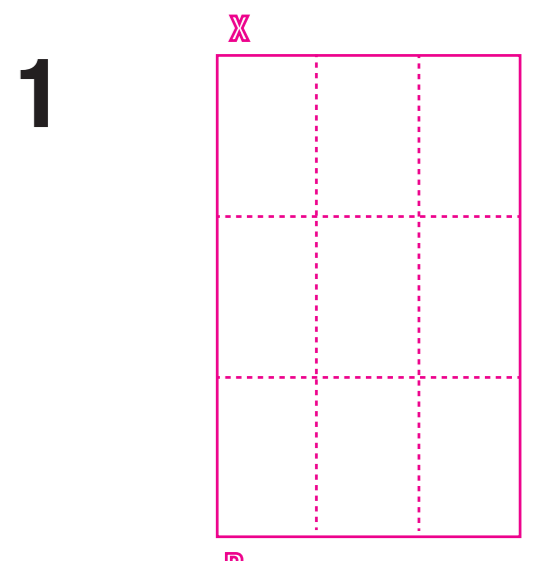
Under Australian and/or New Zealand Consumer Laws, in addition to any warranty Targus gives, our products come with guarantees that cannot be excluded. You are entitled to a replacement or refund for a major failure and compensation for any other reasonably foreseeable loss or damage.

For any warranty question, contact Targus Australia Pty. Ltd. (I) by mail at Suite 2, Level 8, 5 Rider Boulevard, Rhodes NSW 2138, by phone AUS 1800 641 645 or NZ 0800 633 222 or by Email: info@targus.com.

Patent, see targus.com/patents | Le brevet, voir targus.com/patents



FOLDING



482.6 mm

482.6 mm

482.6 mm