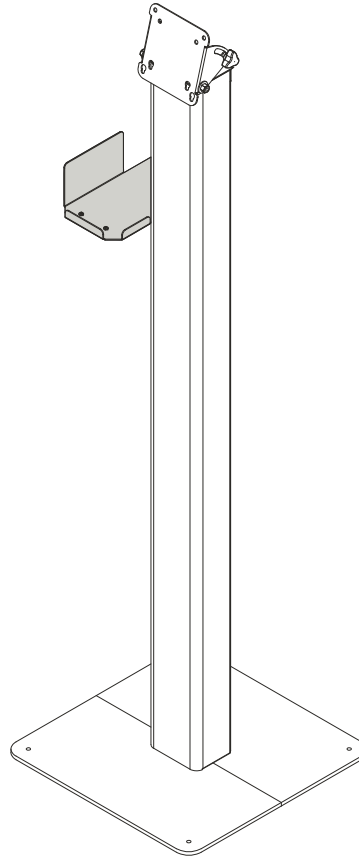

INSTALLATION INSTRUCTIONS



Printer Accessory

CHIEF[®]

A brand of **legrand**[®]

HVPS

DISCLAIMER

Legrand | AV and its affiliated corporations and subsidiaries (collectively “Legrand | AV”), intend to make this manual accurate and complete. However, Legrand | AV makes no claim that the information contained herein covers all details, conditions or variations, nor does it provide for every possible contingency in connection with the installation or use of this product. The information contained in this document is subject to change without notice or obligation of any kind. Legrand | AV makes no representation of warranty, expressed or implied, regarding the information contained herein. Legrand | AV assumes no responsibility for accuracy, completeness or sufficiency of the information contained in this document.

Chief® is a registered trademark of Legrand AV Inc.

DEFINITIONS

MOUNTING SYSTEM: A MOUNTING SYSTEM is the primary Chief product to which an accessory and/or component is attached.

ACCESSORY: AN ACCESSORY is the secondary Chief product which is attached to a primary Chief product, and may have a component attached or setting on it.

COMPONENT: A COMPONENT is an audiovisual item designed to be attached or resting on an accessory or mounting system such as a video camera, CPU, screen, display, projector, etc.

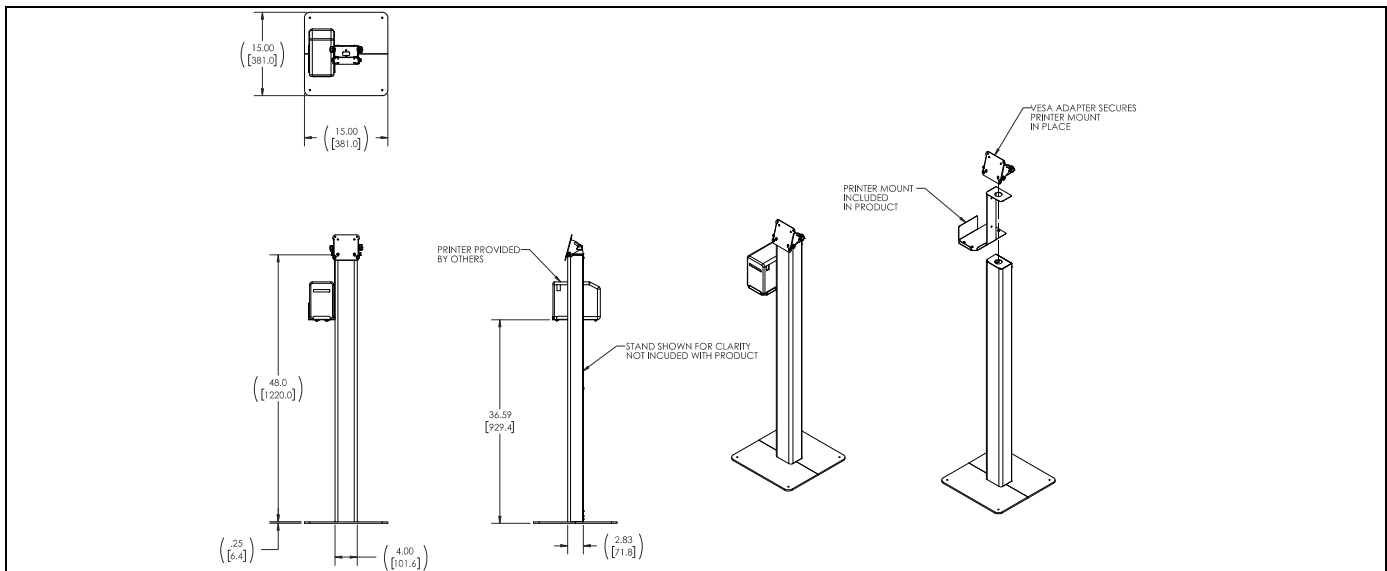
WARNING: A WARNING alerts you to the possibility of serious injury or death if you do not follow the instructions.

CAUTION: A CAUTION alerts you to the possibility of damage or destruction of equipment if you do not follow the corresponding instructions.

IMPORTANT SAFETY INSTRUCTIONS

WARNING: Failure to read, thoroughly understand, and

DIMENSIONS



follow all instructions can result in serious personal injury, damage to equipment, or voiding of factory warranty! It is the installer’s responsibility to make sure all mounting systems are properly assembled and installed using the instructions provided.

WARNING: Failure to provide adequate structural strength for this mounting system can result in serious personal injury or damage to equipment! It is the installer’s responsibility to make sure the structure to which this mounting system is attached can support five times the combined weight of all equipment. Reinforce the structure as required before installing the mounting system.

WARNING: Exceeding the weight capacity can result in serious personal injury or damage to equipment! It is the installer’s responsibility to make sure the combined weight of all components attached to accessory does not exceed 3 lbs (1.36 kg).

WARNING: Use this accessory only for its intended use as described in these instructions. Do not use attachments not recommended by the manufacturer.

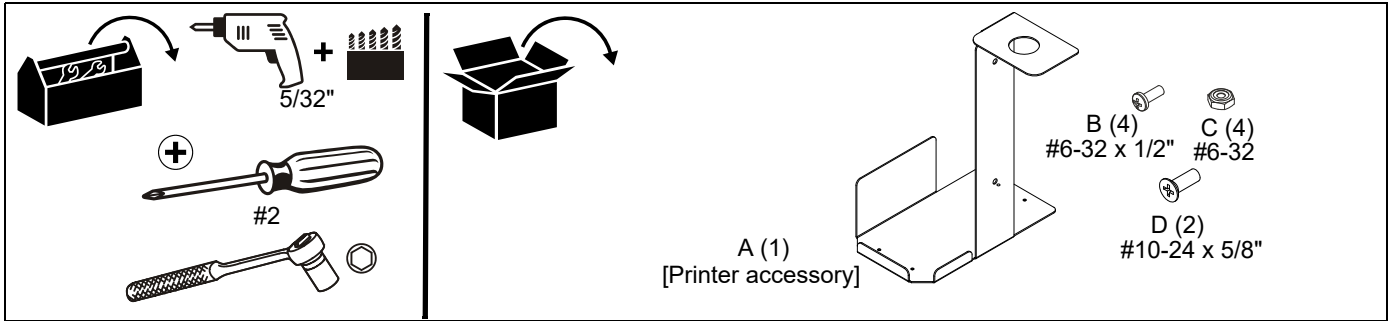
WARNING: Never operate this accessory if it is damaged. Return the accessory to a service center for examination and repair.

WARNING: Do not use this accessory outdoors.

WARNING: RISK OF INJURY TO PERSONS! Do not use this accessory to support video equipment such as televisions or computer monitors.

--SAVE THESE INSTRUCTIONS--

TOOLS/PARTS REQUIRED FOR INSTALLATION



Assembly And Installation

1. Assemble Tablet Stand following installation instructions of the stand until the Column-mounted tablet is ready to be installed to the column.
2. Use two lock nuts (provided with column-mounted tablet) to install printer accessory (A) and vesa adapter (provided with column-mounted tablet) to column.(See Figure 1)

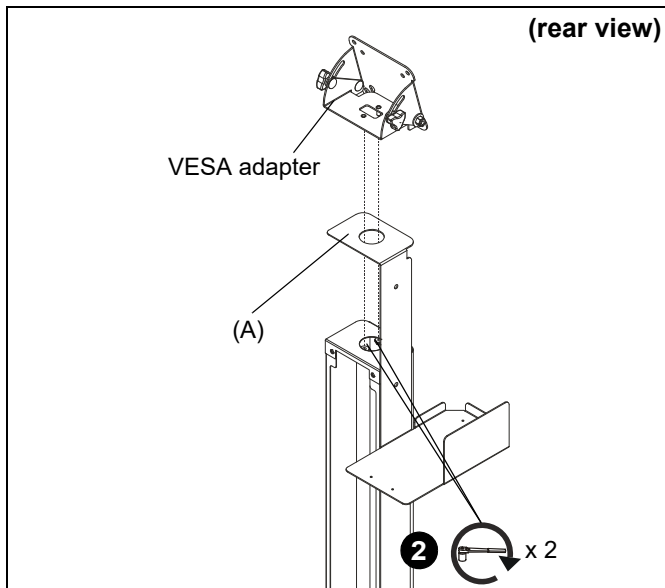


Figure 1

3. (Optional) For additional stability, two #10-24 x 5/8" Phillips pan head tapping screws (D) may be installed through pre-drilled holes on accessory (A) and by drilling two 5/32" holes into column at locations of holes on shelf. (See Figure 2)

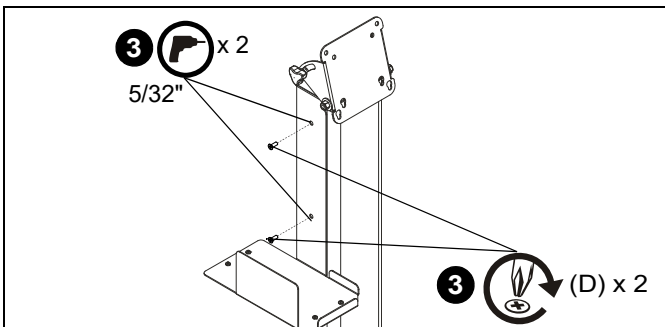


Figure 2

4. Complete installation of tablet stand referring to the installation instructions for the tablet stand.

Printer Installation

1. Install four #6-32 x 1/2" Phillips pan machine screws (B) through holes on base of printer shelf (A) and into four lock nuts (C). (See Figure 3)



WARNING: Exceeding the weight capacity can result in serious personal injury or damage to equipment! It is the installer's responsibility to make sure the combined weight of all components attached to accessory does not exceed 3 lbs (1.36 kg).

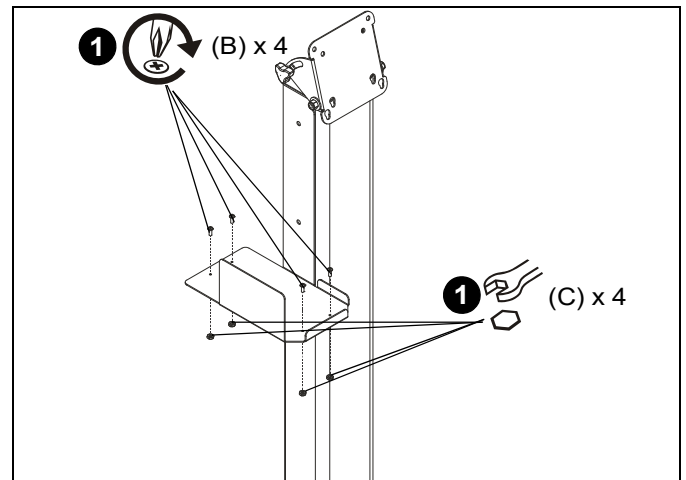


Figure 3

2. Install printer (not included) onto printer accessory (A) by aligning holes on bottom of printer with installed screws (B) and sliding into position. (See Figure 4)

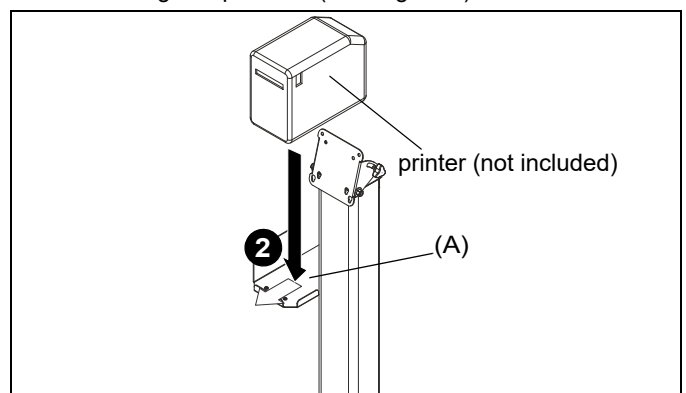


Figure 4



A brand of  **legrand**[®]

8800-003271 Rev00
©2021 Legrand | AV
www.legrandav.com
02/2021

USA/International	A 6436 City West Parkway, Eden Prairie, MN 55344 P 800.582.6480 / 952.225.6000 F 877.894.6918 / 952.894.6918
Europe	A Franklinstraat 14, 6003 DK Weert, Netherlands P +31 (0) 495 580 852 F +31 (0) 495 580 845
Asia Pacific	A Office No. 918 on 9/F, Shatin Galleria 18-24 Shan Mei Street Fotan, Shatin, Hong Kong P 852 2145 4099 F 852 2145 4477

