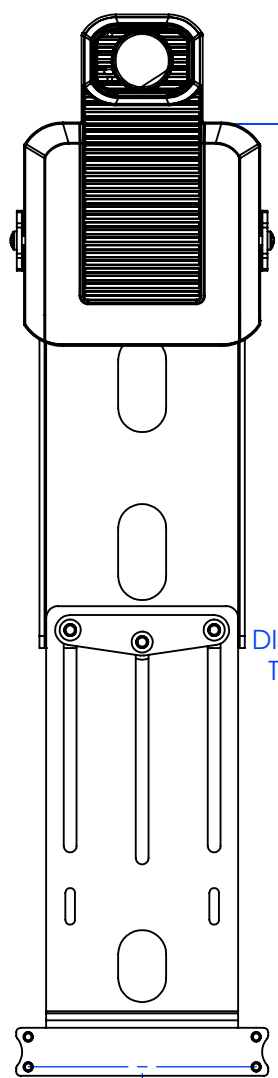
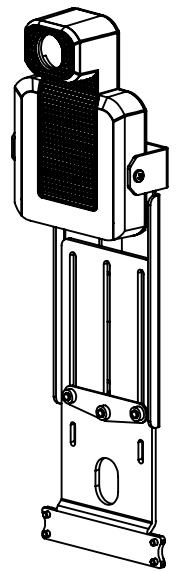
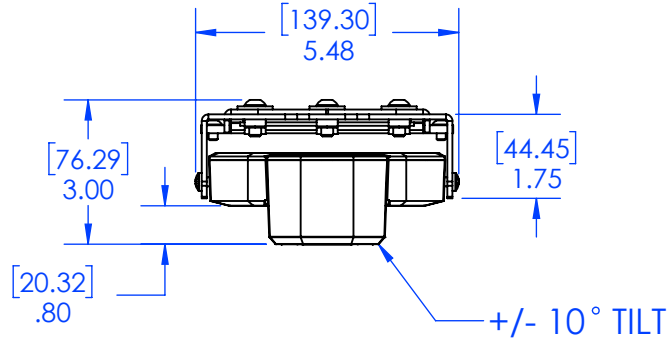


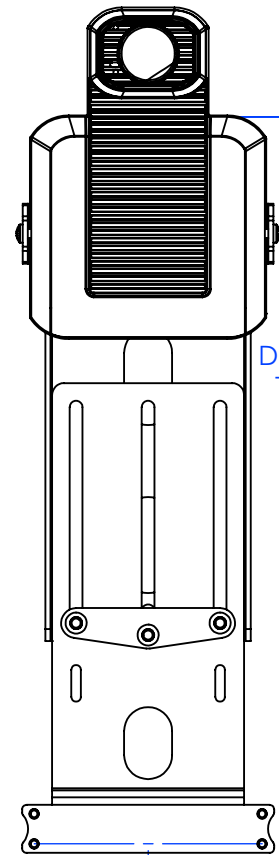
CAMERA CAN BE POSITIONED EITHER ABOVE OR BELOW THE SCREEN



HIGHEST EXTENSION

[635.6]
25.02
DISTANCE TO C/L OF
THE TS3XXX SERIES
SWINGARMS

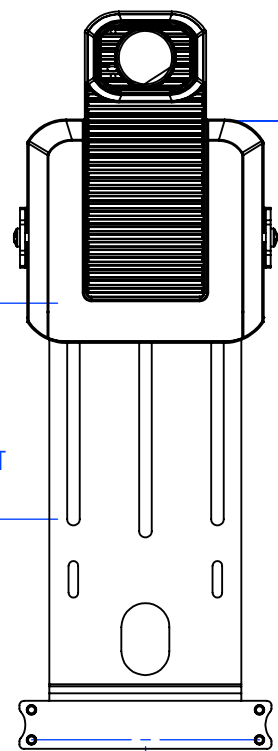
[643.5]
25.33
DISTANCE TO C/L OF
TS5XXX SERIES
SWINGARMS



LOWEST EXTENSION
WITH EXTENDER BRACKET

[521.3]
20.52
DISTANCE TO C/L OF
THE TS3XXX SERIES
SWINGARMS

[529.2]
20.83
DISTANCE TO C/L OF
TS5XXX SERIES
SWINGARMS



HIGHEST EXTENSION
WITHOUT EXTENDER BRACKET

[114.30]
4.50
HEIGHT
ADJUSTMENT

[464.1]
18.27
DISTANCE TO C/L OF
THE TS3XXX SERIES
SWINGARMS

[472]
18.58
DISTANCE TO C/L OF
TS5XXX SERIES
SWINGARMS

THE INFORMATION AND DESIGNS CONTAINED IN THIS DRAWING ARE CONFIDENTIAL AND THE PROPRIETARY PROPERTY OF LEGRAND | AV. NEITHER THIS DESIGN NOR ANY INFORMATION CONTAINED IN THIS DRAWING MAY BE REPRODUCED OR DISCLOSED TO OTHERS WITHOUT THE EXPRESS WRITTEN CONSENT OF LEGRAND | AV.

CAD GENERATED DRAWING, DO NOT MANUALLY UPDATE.		CHIEF <small>Computer Integrated Engineering</small>		6436 CITY WEST PKWY EDEN PRAIRIE, MN, 55344 PHONE: 866-977-3901 FAX: 877-894-6918	
DRAWN BY	JL	8/7/2020	DESCRIPTION TECH DRAWING, TA210K		
ENG APPROVAL			MODEL NO. TA210K		
MFG APPROVAL			SIZE DWG. NO. B TECH-001103		
QA APPROVAL			REV. 00		
SHEET 1 OF 1		SCALE 1:8			

D
C
B
A

D
C
B
A

1 2 3 4 5 6 7 8

1 2 3 4 5 6 7 8