

THE INFORMATION AND DESIGNS CONTAINED IN THIS DRAWING ARE CONFIDENTIAL AND THE PROPRIETARY PROPERTY OF LEGRAND | AV. NEITHER THIS DESIGN NOR ANY INFORMATION CONTAINED IN THIS DRAWING MAY BE REPRODUCED OR DISCLOSED TO OTHERS WITHOUT THE EXPRESS WRITTEN CONSENT OF LEGRAND | AV.

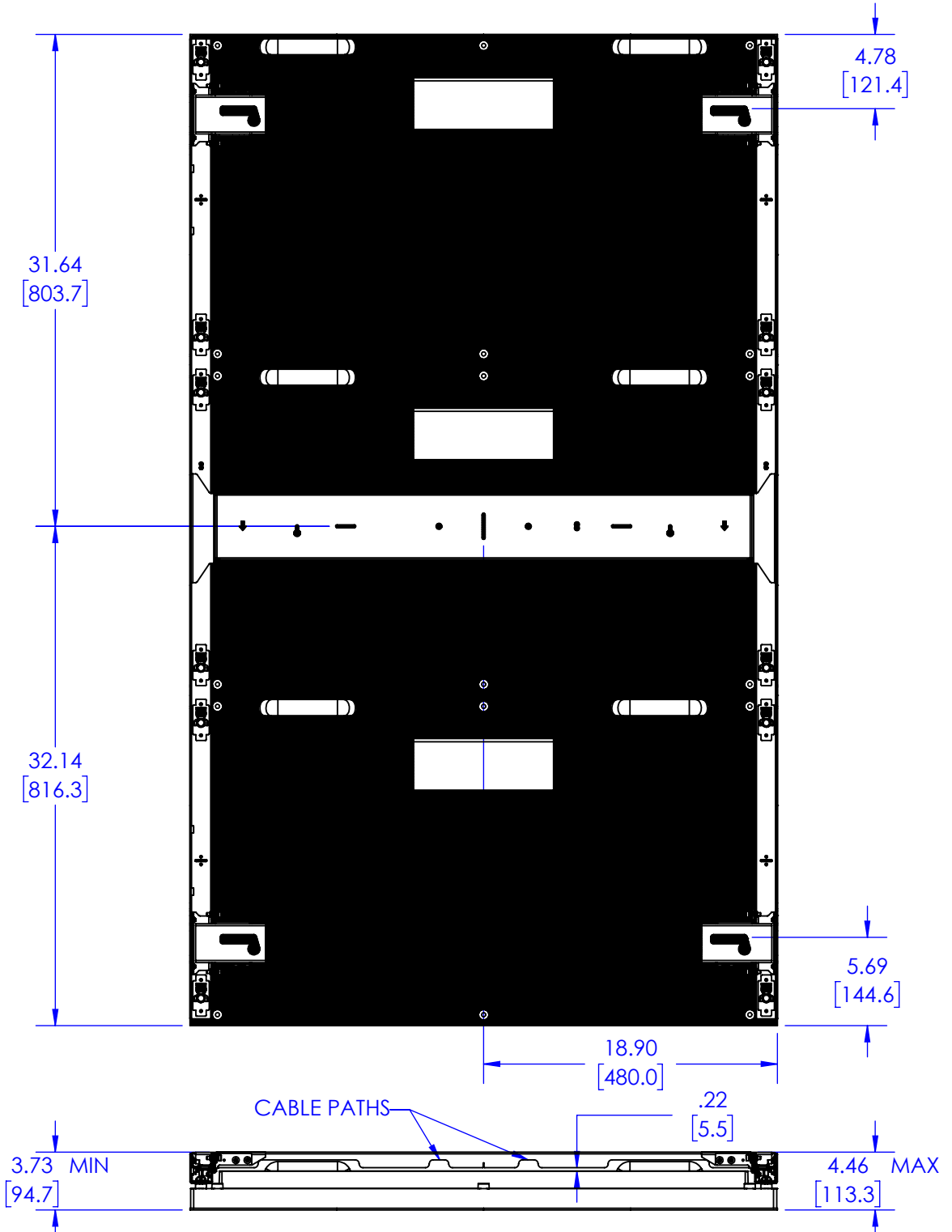
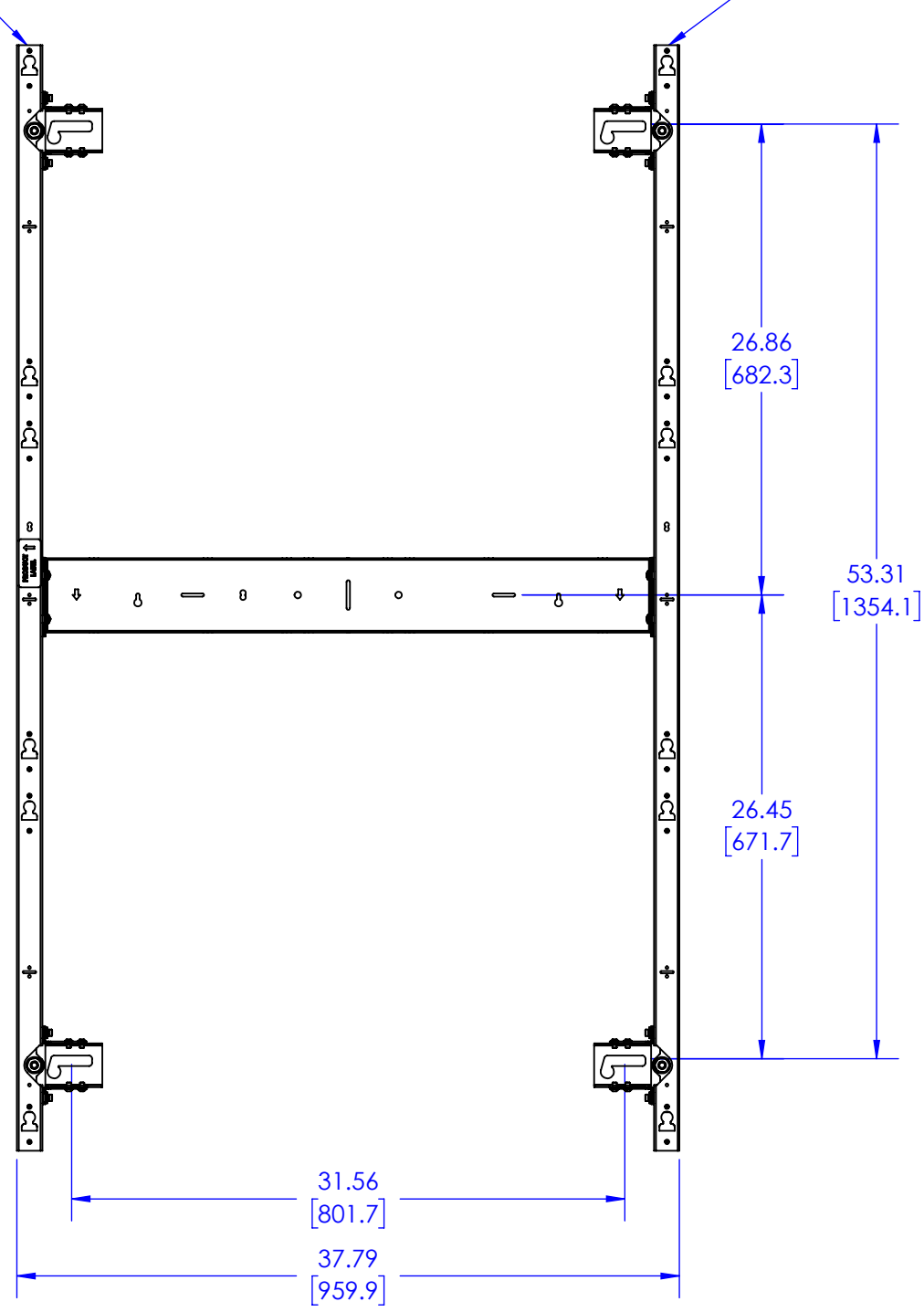
CAD GENERATED DRAWING, DO NOT MANUALLY UPDATE.					6436 CITY WEST PKWY EDEN PRAIRIE MN, 55344 PHONE: 866-977-3901 FAX: 877-894-6918	
DRAWN BY	MM	7/18/2021	DESCRIPTION			
ENG APPROVAL			TILED SAMSUNG IER MOUNT,3 HIGH, LEFT			
MFG APPROVAL			MODEL NO.			
QA APPROVAL			TILD1X3IER-L			
SHEET 1 OF 3		SCALE	SIZE	DWG. NO.	REV.	
		1:5	B	TECH-001175	A	

TILD1X3IER-L  
 SHOWN WITH TIL1X3IER-R  
 (REQUIRED FOR SINGLE COLUMN MOUNTING)  
 TILD1X3IER-R

REAR VIEW WITH SAMSUNG IER

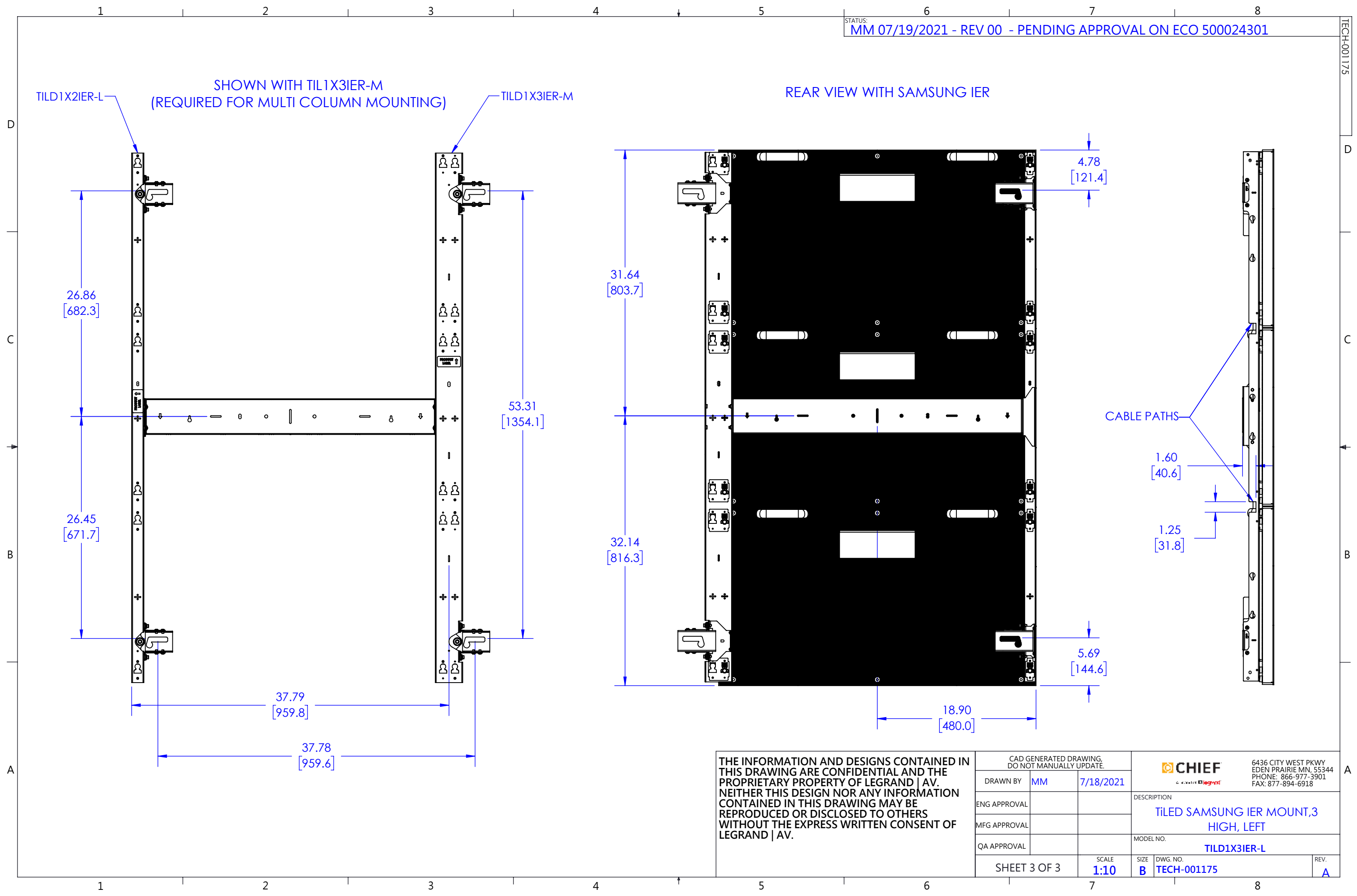
D  
C  
B  
A

D  
C  
B  
A



THE INFORMATION AND DESIGNS CONTAINED IN THIS DRAWING ARE CONFIDENTIAL AND THE PROPRIETARY PROPERTY OF LEGRAND | AV. NEITHER THIS DESIGN NOR ANY INFORMATION CONTAINED IN THIS DRAWING MAY BE REPRODUCED OR DISCLOSED TO OTHERS WITHOUT THE EXPRESS WRITTEN CONSENT OF LEGRAND | AV.

CAD GENERATED DRAWING, DO NOT MANUALLY UPDATE.					6436 CITY WEST PKWY EDEN PRAIRIE MN, 55344 PHONE: 866-977-3901 FAX: 877-894-6918	
DRAWN BY	MM	7/18/2021	DESCRIPTION			
ENG APPROVAL			TILED SAMSUNG IER MOUNT,3 HIGH, LEFT			
MFG APPROVAL			MODEL NO.			
QA APPROVAL			TILD1X3IER-L			
SHEET 2 OF 3		SCALE	SIZE	DWG. NO.	REV.	
		1:10	B	TECH-001175	A	



THE INFORMATION AND DESIGNS CONTAINED IN THIS DRAWING ARE CONFIDENTIAL AND THE PROPRIETARY PROPERTY OF LEGRAND | AV. NEITHER THIS DESIGN NOR ANY INFORMATION CONTAINED IN THIS DRAWING MAY BE REPRODUCED OR DISCLOSED TO OTHERS WITHOUT THE EXPRESS WRITTEN CONSENT OF LEGRAND | AV.

CAD GENERATED DRAWING, DO NOT MANUALLY UPDATE.				6436 CITY WEST PKWY EDEN PRAIRIE MN, 55344 PHONE: 866-977-3901 FAX: 877-894-6918	
DRAWN BY	MM	7/18/2021	DESCRIPTION		
ENG APPROVAL			TILED SAMSUNG IER MOUNT,3 HIGH, LEFT		
MFG APPROVAL			MODEL NO.		
QA APPROVAL			TILD1X3IER-L		
SHEET 3 OF 3		SCALE	SIZE	DWG. NO.	REV.
		1:10	B	TECH-001175	A