

THE INFORMATION AND DESIGNS CONTAINED IN THIS DRAWING ARE CONFIDENTIAL AND THE PROPRIETARY PROPERTY OF LEGRAND | AV. NEITHER THIS DESIGN NOR ANY INFORMATION CONTAINED IN THIS DRAWING MAY BE REPRODUCED OR DISCLOSED TO OTHERS WITHOUT THE EXPRESS WRITTEN CONSENT OF LEGRAND | AV.

CAD GENERATED DRAWING, DO NOT MANUALLY UPDATE.					6436 CITY WEST PKWY EDEN PRAIRIE MN, 55344 PHONE: 866-977-3901 FAX: 877-894-6918	
DRAWN BY	MM	7/19/2021	DESCRIPTION			
ENG APPROVAL			TILED SAMSUNG IER MOUNT,2 HIGH, MIDDLE			
MFG APPROVAL			MODEL NO.			
QA APPROVAL			TILD1X2IER-M			
SHEET 1 OF 3		SCALE	SIZE	DWG. NO.	REV.	
		1:4	B	TECH-001173	A	

STATUS: MM 07/19/2021 - FOR PROTOTYPE ONLY!

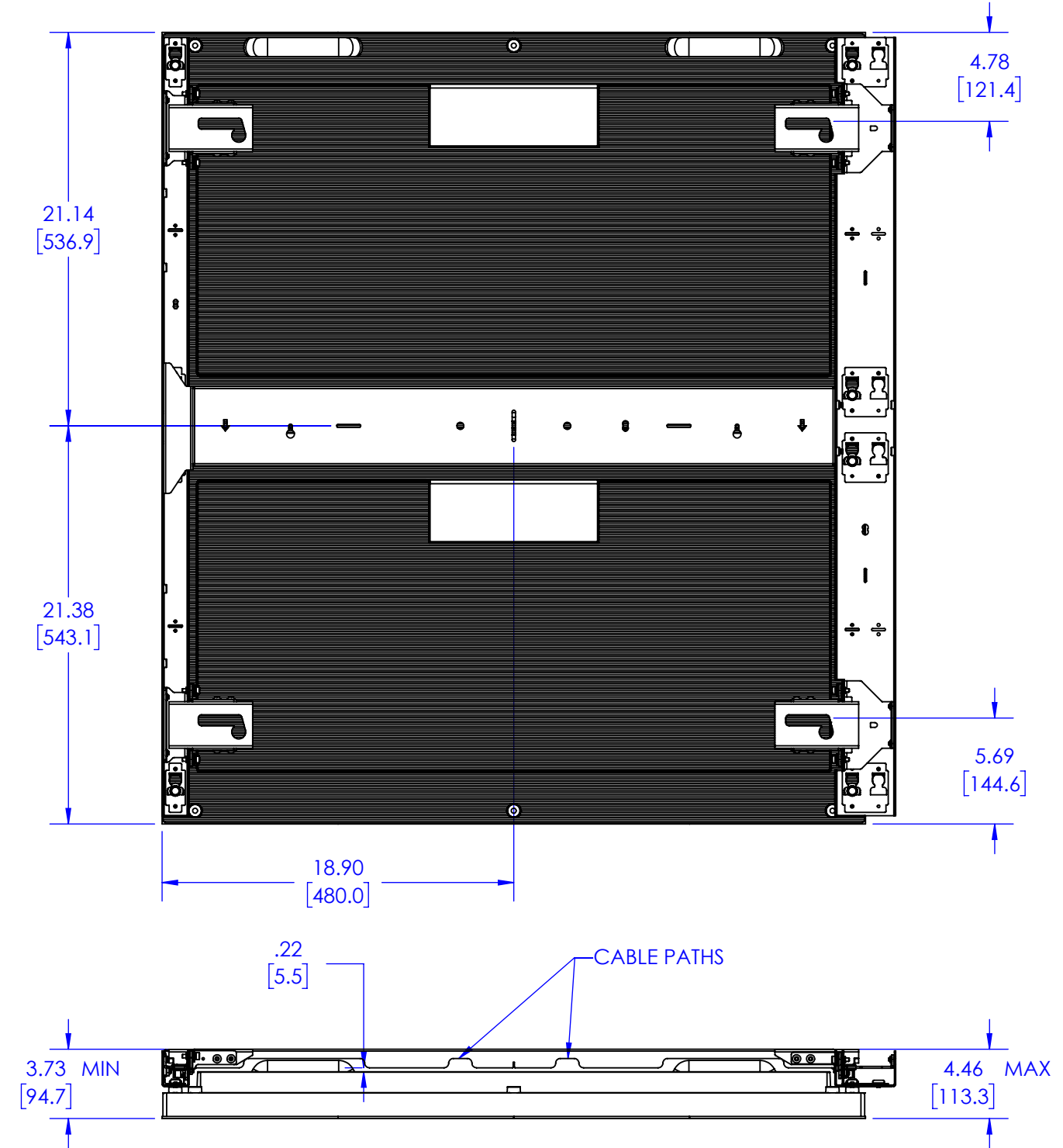
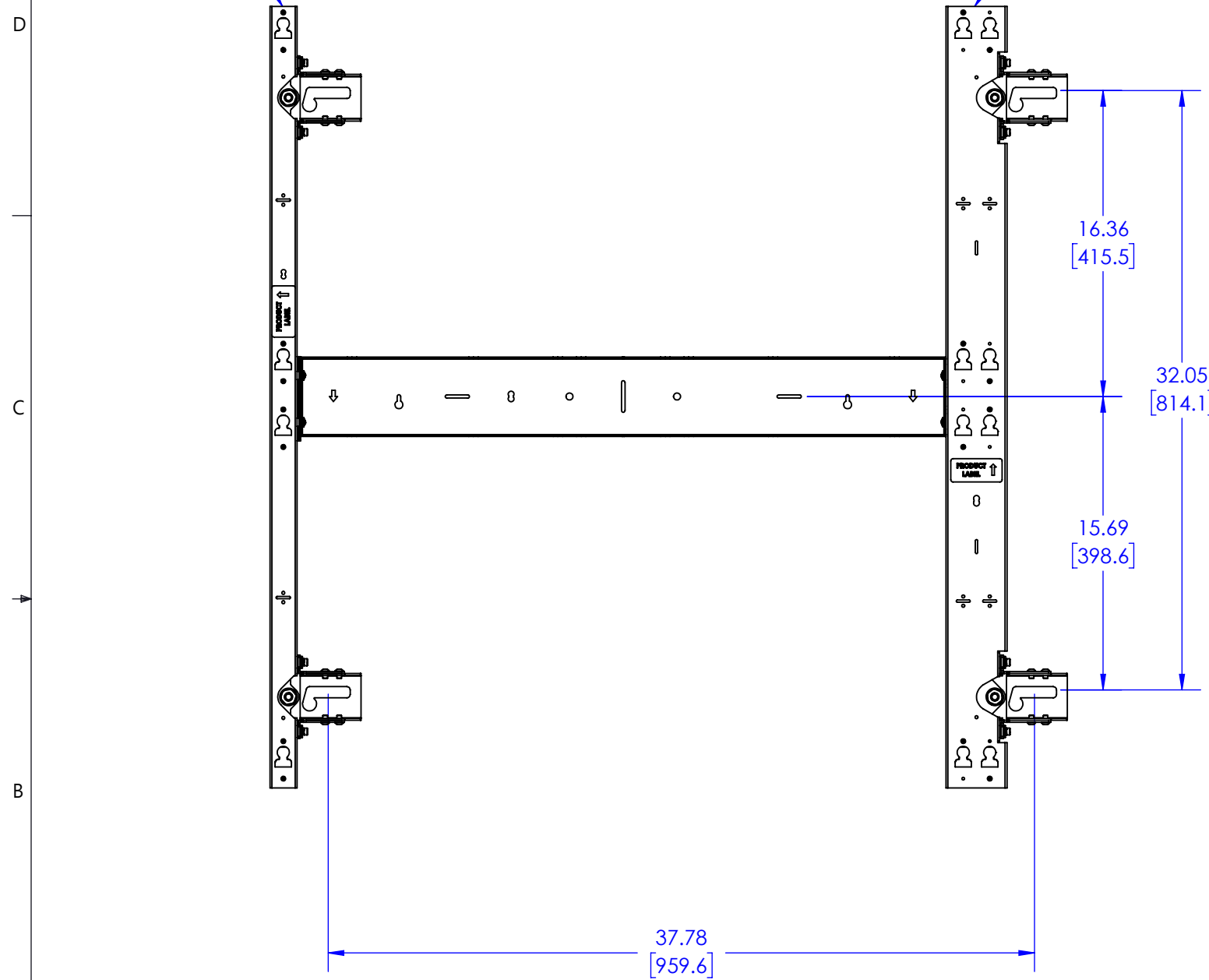
TECH-001173

TILD1X2IER-L

SHOWN WITH TILD1X2IER-L
(REQUIRED FOR SINGLE COLUMN MOUNTING)

TILD1X2IER-M

REAR VIEW WITH SAMSUNG IER



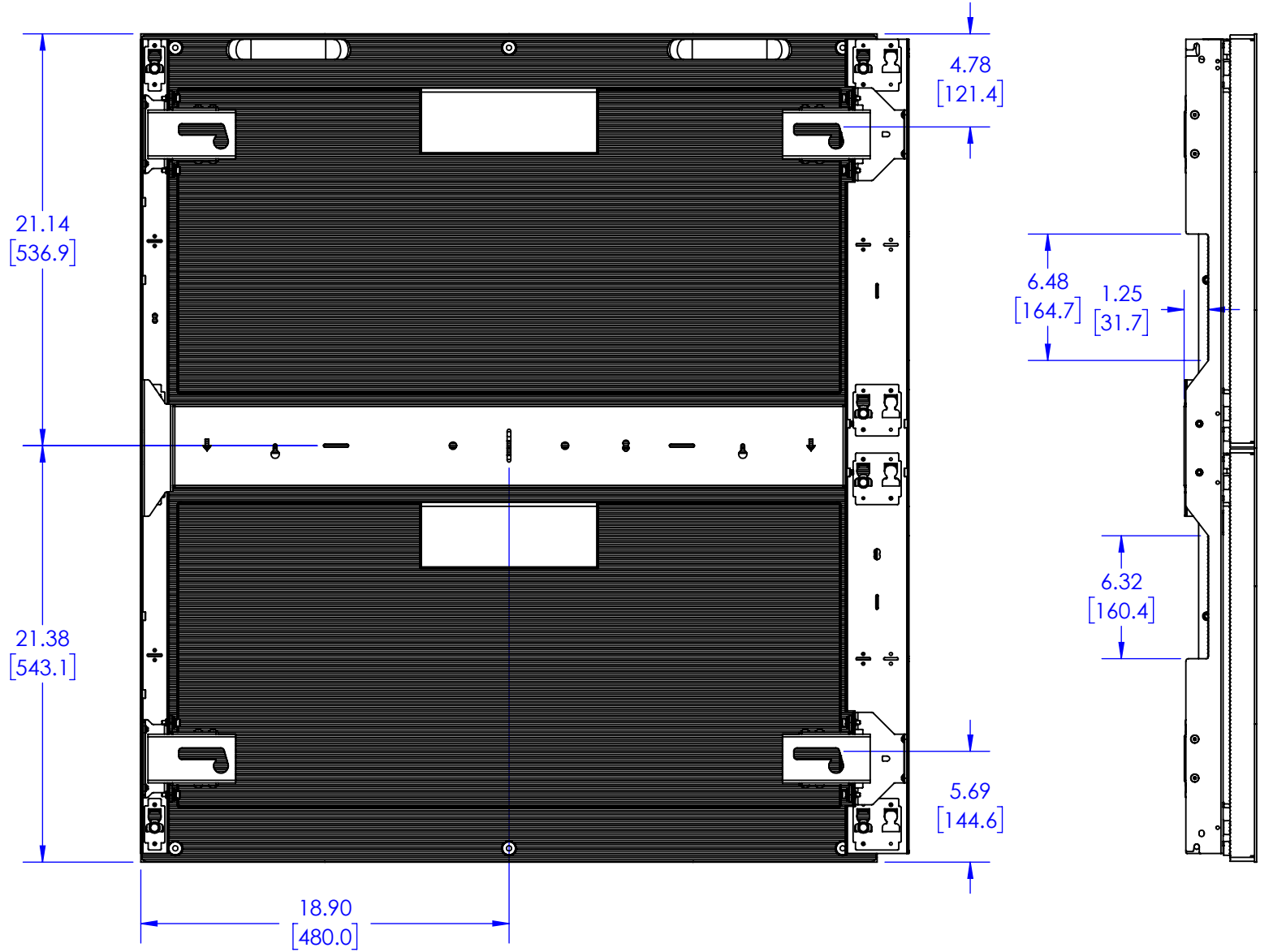
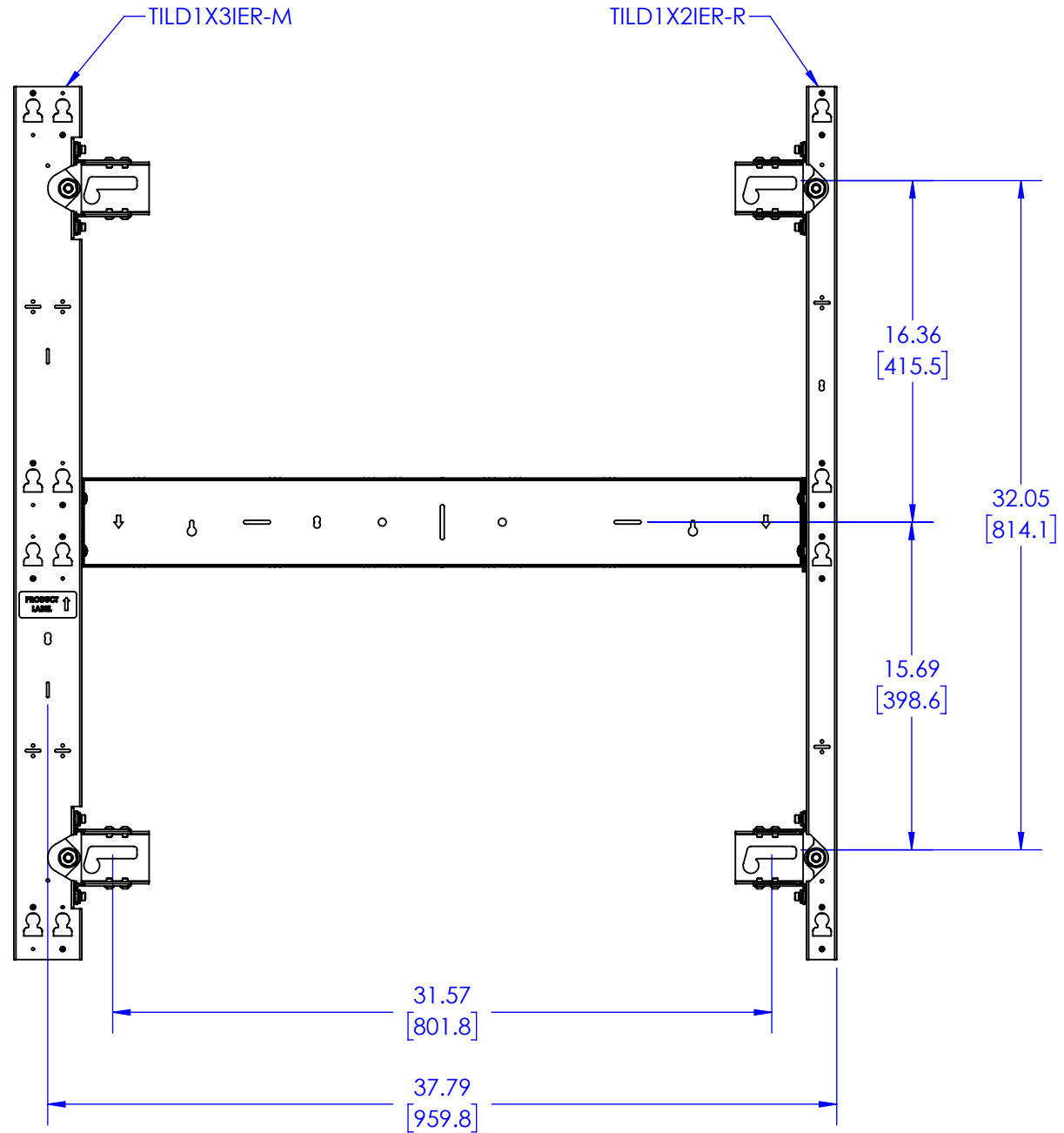
THE INFORMATION AND DESIGNS CONTAINED IN THIS DRAWING ARE CONFIDENTIAL AND THE PROPRIETARY PROPERTY OF LEGRAND | AV. NEITHER THIS DESIGN NOR ANY INFORMATION CONTAINED IN THIS DRAWING MAY BE REPRODUCED OR DISCLOSED TO OTHERS WITHOUT THE EXPRESS WRITTEN CONSENT OF LEGRAND | AV.

CAD GENERATED DRAWING, DO NOT MANUALLY UPDATE.					6436 CITY WEST PKWY EDEN PRAIRIE MN, 55344 PHONE: 866-977-3901 FAX: 877-894-6918	
DRAWN BY	MM	7/19/2021	DESCRIPTION			
ENG APPROVAL			TILED SAMSUNG IER MOUNT,2 HIGH, MIDDLE			
MFG APPROVAL			MODEL NO.			
QA APPROVAL			TILD1X2IER-M			
SHEET 2 OF 3		SCALE	SIZE	DWG. NO.	REV.	
		1:8	B	TECH-001173	A	

SHOWN WITH TIL1X3IER-R
(REQUIRED FOR MULTI COLUMN MOUNTING)

REAR VIEW WITH SAMSUNG IER

CABLE OPENINGS



THE INFORMATION AND DESIGNS CONTAINED IN THIS DRAWING ARE CONFIDENTIAL AND THE PROPRIETARY PROPERTY OF LEGRAND | AV. NEITHER THIS DESIGN NOR ANY INFORMATION CONTAINED IN THIS DRAWING MAY BE REPRODUCED OR DISCLOSED TO OTHERS WITHOUT THE EXPRESS WRITTEN CONSENT OF LEGRAND | AV.

CAD GENERATED DRAWING, DO NOT MANUALLY UPDATE.					6436 CITY WEST PKWY EDEN PRAIRIE MN, 55344 PHONE: 866-977-3901 FAX: 877-894-6918	
DRAWN BY	MM	7/19/2021	DESCRIPTION			
ENG APPROVAL			TILED SAMSUNG IER MOUNT,2 HIGH, MIDDLE			
MFG APPROVAL			MODEL NO.			
QA APPROVAL			TILD1X2IER-M			
SHEET 3 OF 3		SCALE	SIZE	DWG. NO.	REV.	
		1:8	B	TECH-001173	A	