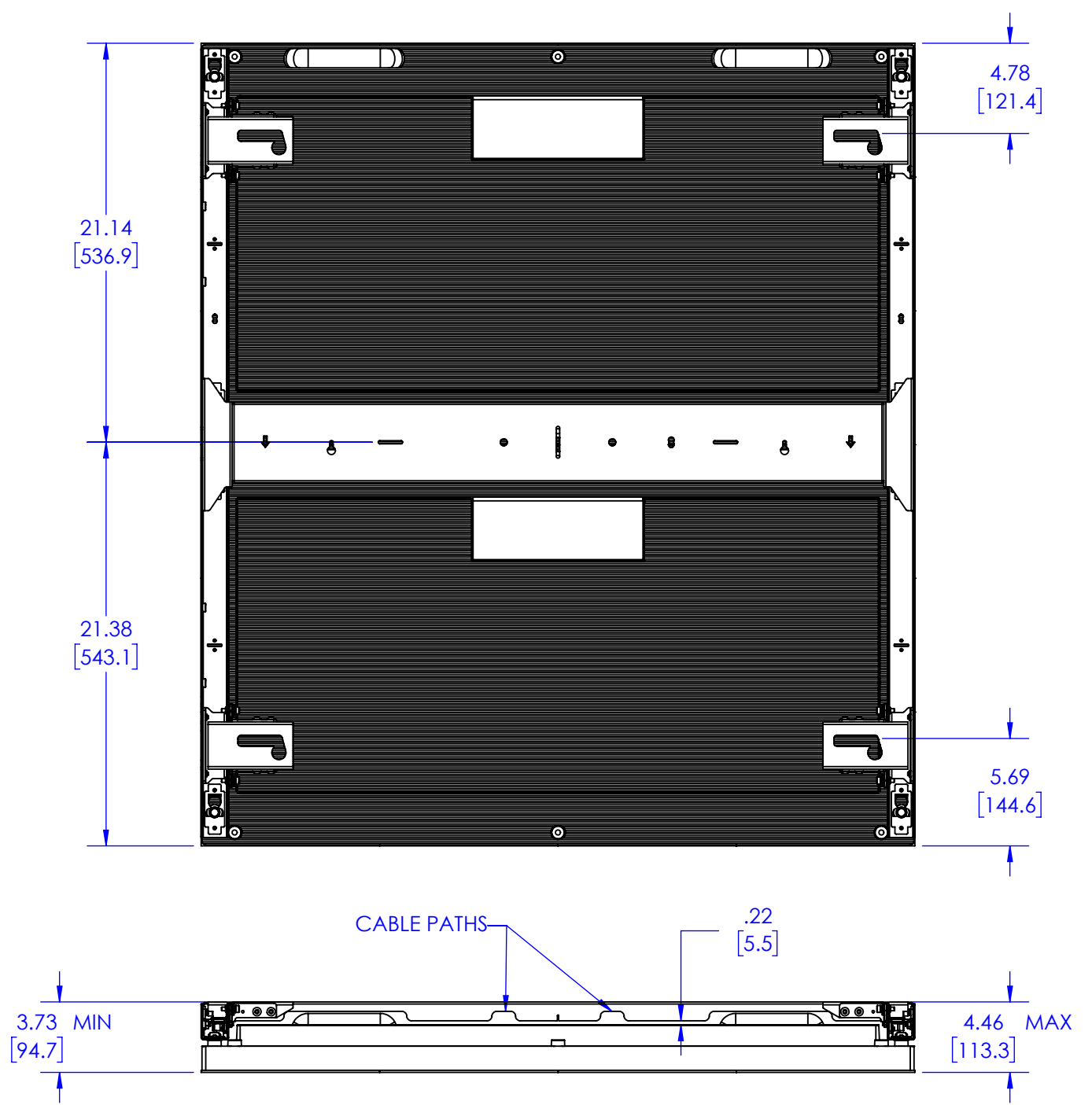
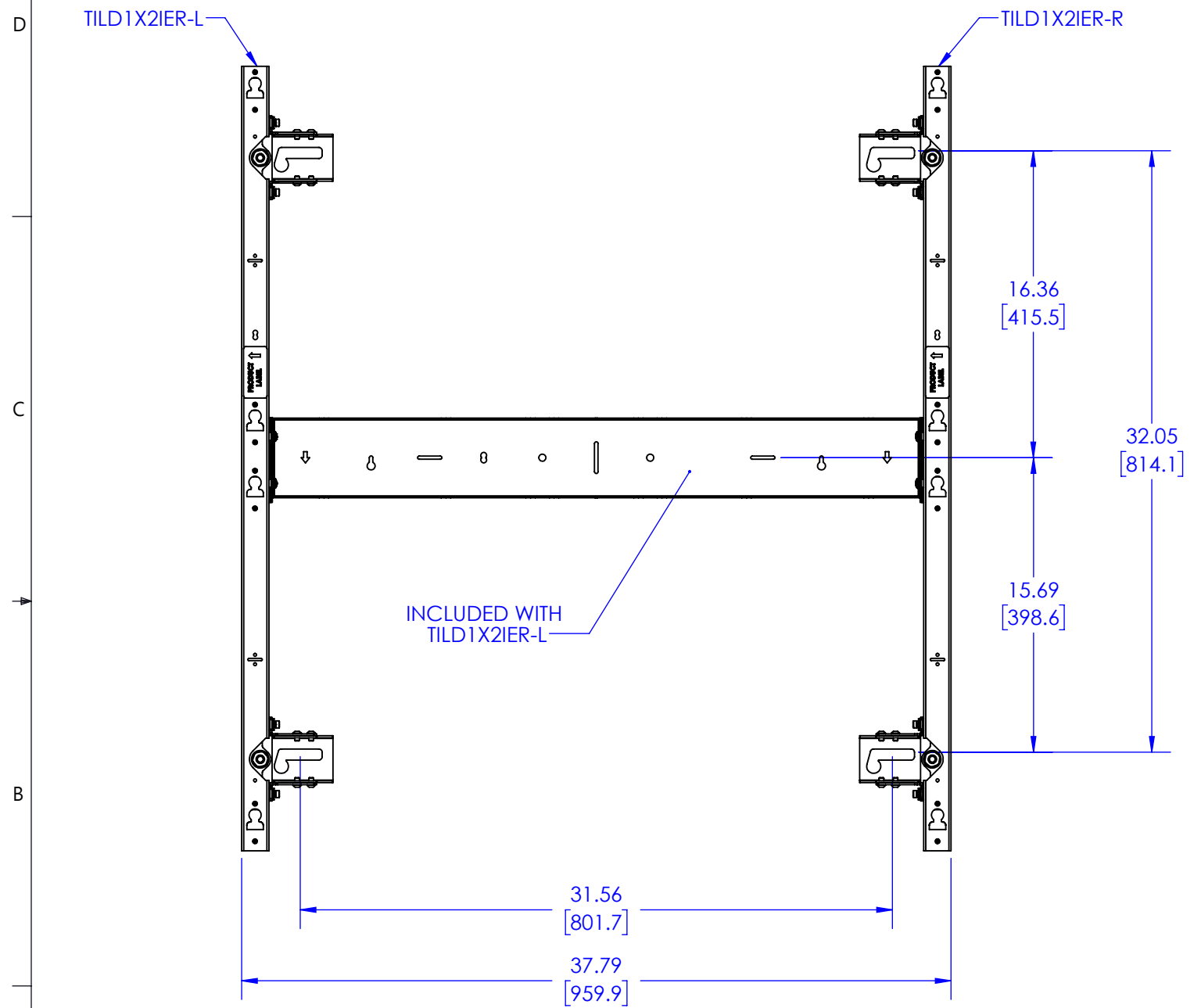


THE INFORMATION AND DESIGNS CONTAINED IN THIS DRAWING ARE CONFIDENTIAL AND THE PROPRIETARY PROPERTY OF LEGRAND | AV. NEITHER THIS DESIGN NOR ANY INFORMATION CONTAINED IN THIS DRAWING MAY BE REPRODUCED OR DISCLOSED TO OTHERS WITHOUT THE EXPRESS WRITTEN CONSENT OF LEGRAND | AV.

CAD GENERATED DRAWING, DO NOT MANUALLY UPDATE.					6436 CITY WEST PKWY EDEN PRAIRIE, MN, 55344 PHONE: 866-977-3901 FAX: 877-894-6918	
DRAWN BY	MM	7/19/2021	DESCRIPTION			
ENG APPROVAL			TILED SAMSUNG IER MOUNT, 2 HIGH, RIGHT			
MFG APPROVAL			MODEL NO.			
QA APPROVAL			TILD1X2IER-R			
SHEET 1 OF 3		SCALE	SIZE	DWG. NO.	REV.	
		1:4	B	TECH-001174	A	

SHOWN WITH TILD1X2IER-L  
(REQUIRED FOR SINGLE COLUMN MOUNTING)

REAR VIEW WITH SAMSUNG IER

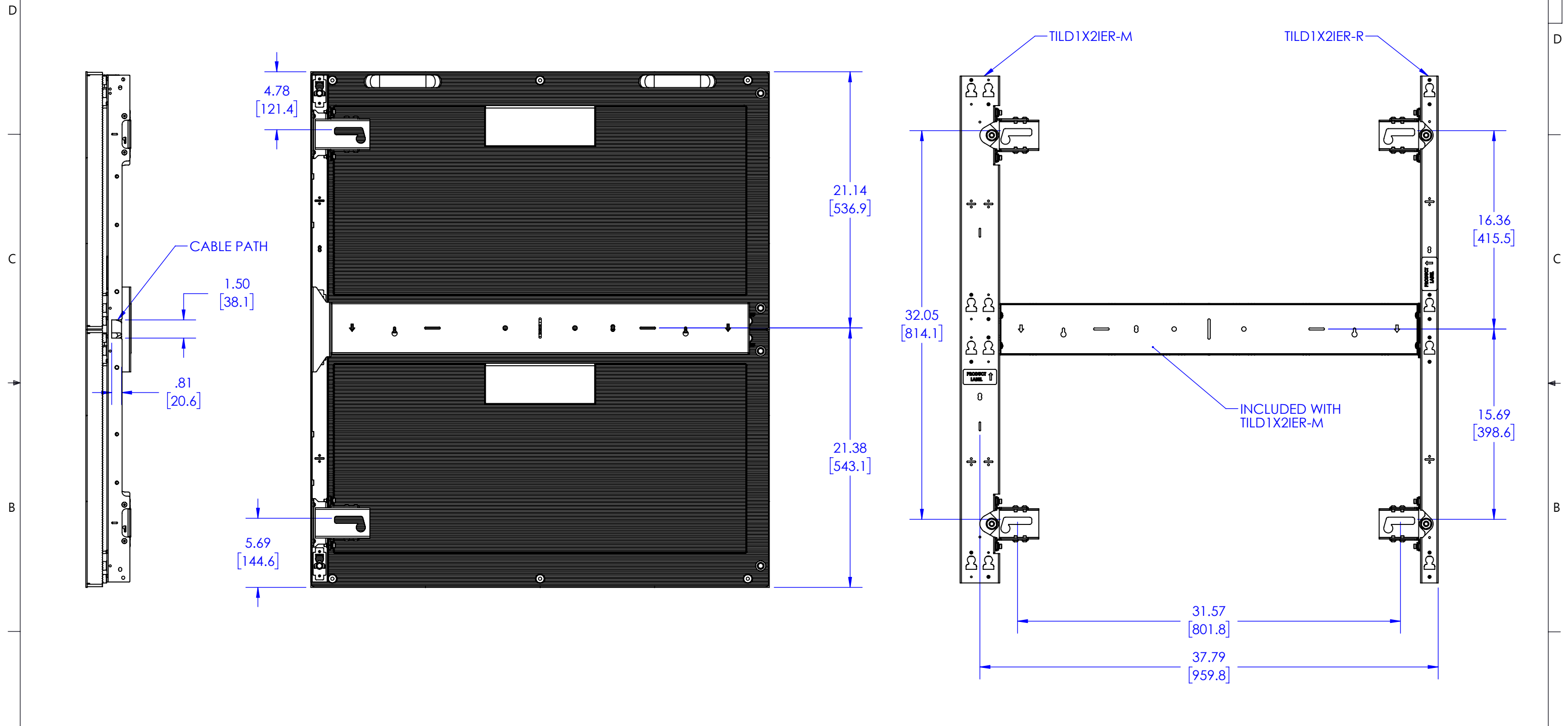


THE INFORMATION AND DESIGNS CONTAINED IN THIS DRAWING ARE CONFIDENTIAL AND THE PROPRIETARY PROPERTY OF LEGRAND | AV. NEITHER THIS DESIGN NOR ANY INFORMATION CONTAINED IN THIS DRAWING MAY BE REPRODUCED OR DISCLOSED TO OTHERS WITHOUT THE EXPRESS WRITTEN CONSENT OF LEGRAND | AV.

CAD GENERATED DRAWING, DO NOT MANUALLY UPDATE.					6436 CITY WEST PKWY EDEN PRAIRIE MN, 55344 PHONE: 866-977-3901 FAX: 877-894-6918	
DRAWN BY	MM	7/19/2021	DESCRIPTION			
ENG APPROVAL			TILED SAMSUNG IER MOUNT, 2 HIGH, RIGHT			
MFG APPROVAL			MODEL NO.			
QA APPROVAL			TILD1X2IER-R			
SHEET 2 OF 3		SCALE	SIZE	DWG. NO.	REV.	
		1:8	B	TECH-001174	A	

REAR VIEW WITH SAMSUNG IER

SHOWN WITH TILD1X2IER-M  
(REQUIRED FOR MULTI COLUMN MOUNTING)



<p>THE INFORMATION AND DESIGNS CONTAINED IN THIS DRAWING ARE CONFIDENTIAL AND THE PROPRIETARY PROPERTY OF LEGRAND   AV. NEITHER THIS DESIGN NOR ANY INFORMATION CONTAINED IN THIS DRAWING MAY BE REPRODUCED OR DISCLOSED TO OTHERS WITHOUT THE EXPRESS WRITTEN CONSENT OF LEGRAND   AV.</p>	CAD GENERATED DRAWING, DO NOT MANUALLY UPDATE.			<p>6436 CITY WEST PKWY EDEN PRAIRIE, MN, 55344 PHONE: 866-977-3901 FAX: 877-894-6918</p>		
	DRAWN BY	MM	7/19/2021		DESCRIPTION	
	ENG APPROVAL			TILED SAMSUNG IER MOUNT, 2 HIGH, RIGHT		
	MFG APPROVAL			MODEL NO.		
	QA APPROVAL			TILD1X2IER-R		
SHEET 3 OF 3		SCALE	1:8	SIZE	DWG. NO.	REV.
			B	TECH-001174	A	