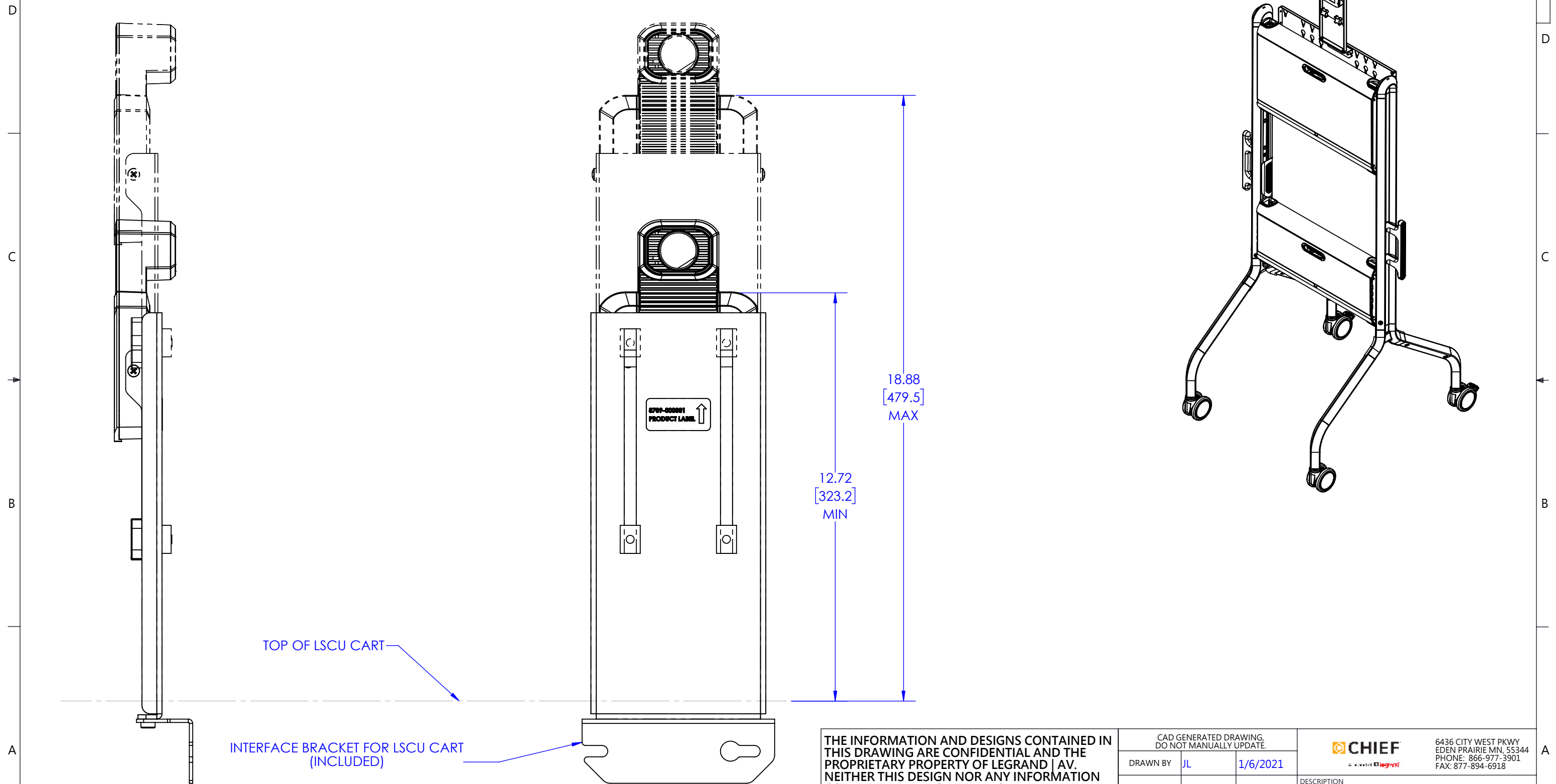


NOTE: CAMERA CAN BE INSTALLED ABOVE OR BELOW DISPLAY, CAMERA SHOWN FOR REFERENCE ONLY

THE INFORMATION AND DESIGNS CONTAINED IN THIS DRAWING ARE CONFIDENTIAL AND THE PROPRIETARY PROPERTY OF LEGRAND | AV. NEITHER THIS DESIGN NOR ANY INFORMATION CONTAINED IN THIS DRAWING MAY BE REPRODUCED OR DISCLOSED TO OTHERS WITHOUT THE EXPRESS WRITTEN CONSENT OF LEGRAND | AV.

CAD GENERATED DRAWING, DO NOT MANUALLY UPDATE.				6436 CITY WEST PKWY EDEN PRAIRIE MN, 55344 PHONE: 866-977-3901 FAX: 877-894-6918	
DRAWN BY	JL	1/6/2021	DESCRIPTION		
ENG APPROVAL			PAC810K TECH DRAWING		
MFG APPROVAL			MODEL NO.		
QA APPROVAL			PAC810K		
SHEET 1 OF 2		SCALE	SIZE	DWG. NO.	REV.
		1:3	B	TECH-001113	03

SHOWN WITH LSCU (SOLD SEPARATELY)



NOTE: CAMERA CAN BE INSTALLED ABOVE OR BELOW DISPLAY. DIMENSIONS ARE THE SAME FOR BOTH. SHOWN WITH CAMERA AND CART FOR REFERENCE ONLY.

THE INFORMATION AND DESIGNS CONTAINED IN THIS DRAWING ARE CONFIDENTIAL AND THE PROPRIETARY PROPERTY OF LEGRAND | AV. NEITHER THIS DESIGN NOR ANY INFORMATION CONTAINED IN THIS DRAWING MAY BE REPRODUCED OR DISCLOSED TO OTHERS WITHOUT THE EXPRESS WRITTEN CONSENT OF LEGRAND | AV.

CAD GENERATED DRAWING, DO NOT MANUALLY UPDATE.				6436 CITY WEST PKWY EDEN PRAIRIE, MN, 55344 PHONE: 866-977-3901 FAX: 877-894-6918	
DRAWN BY	JL	1/6/2021	DESCRIPTION		
ENG APPROVAL			PAC810K TECH DRAWING		
MFG APPROVAL			MODEL NO.		
QA APPROVAL			PAC810K		
SHEET 2 OF 2		SCALE	SIZE	DWG. NO.	REV.
		1:3	B	TECH-001113	03