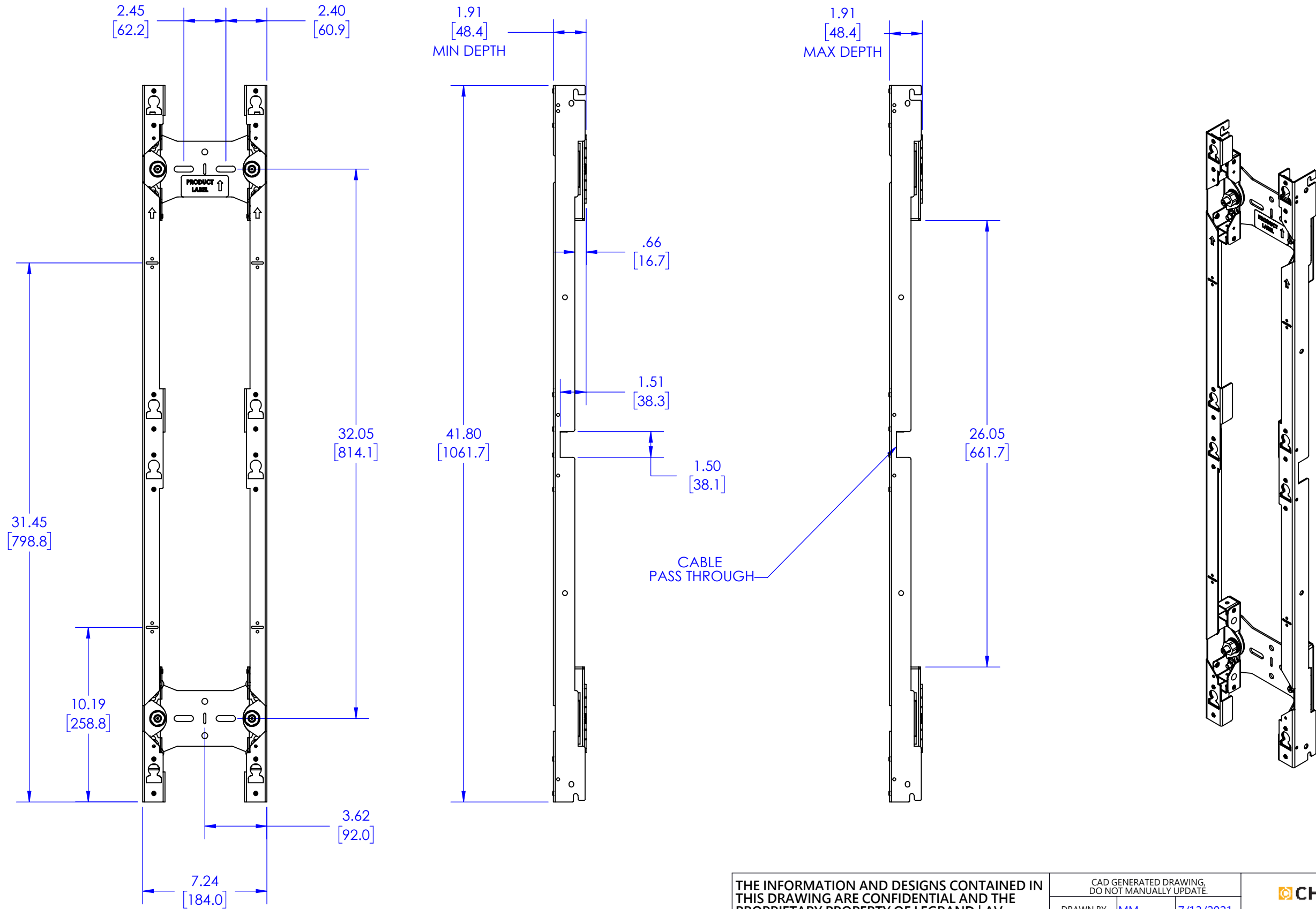


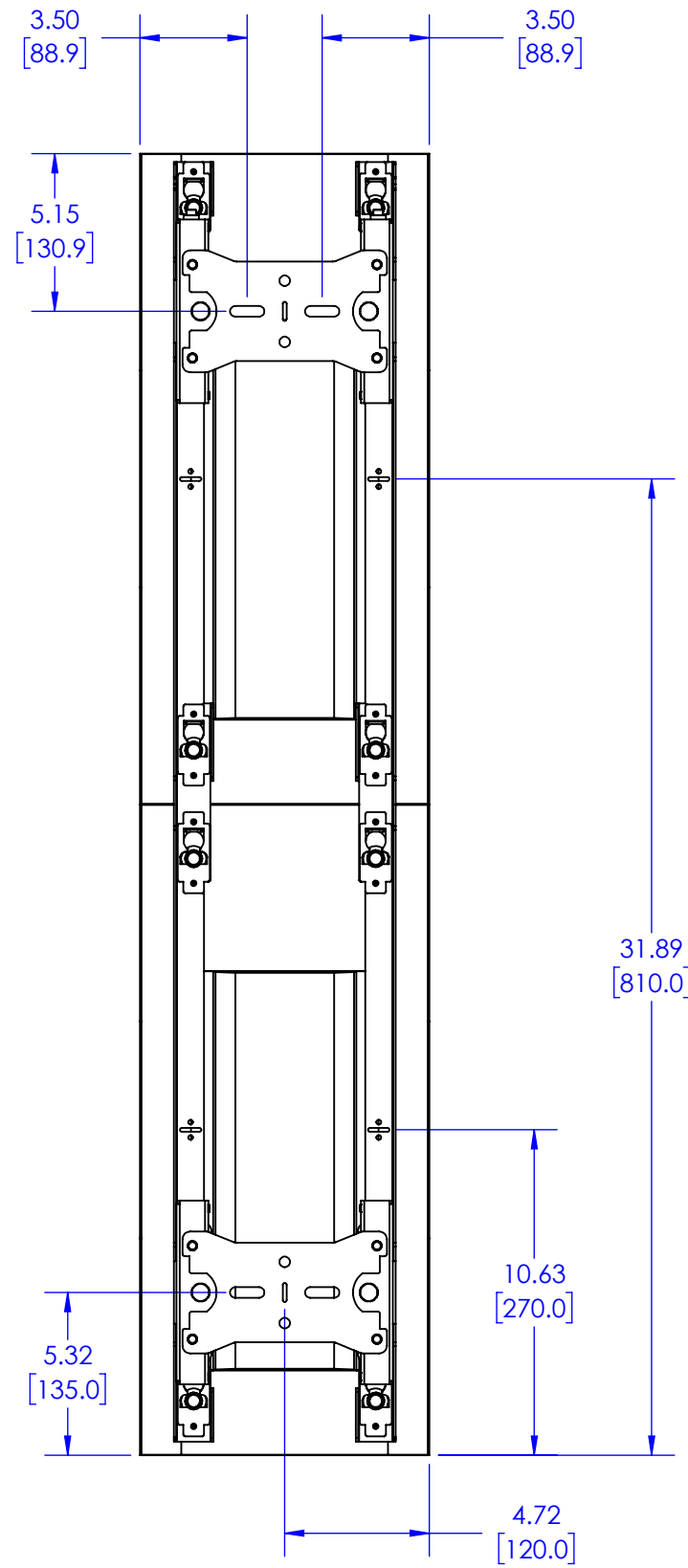
STATUS: MM 07/16/2021 - FOR PROTOTYPE ONLY!

TECH-001169

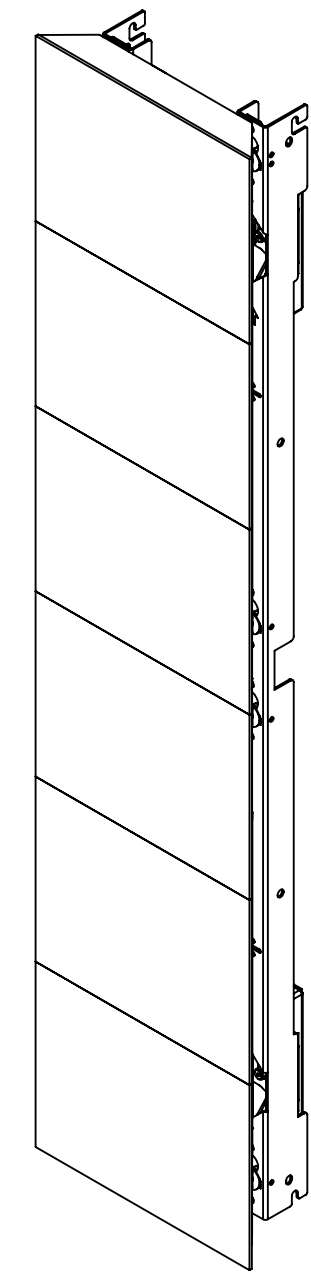
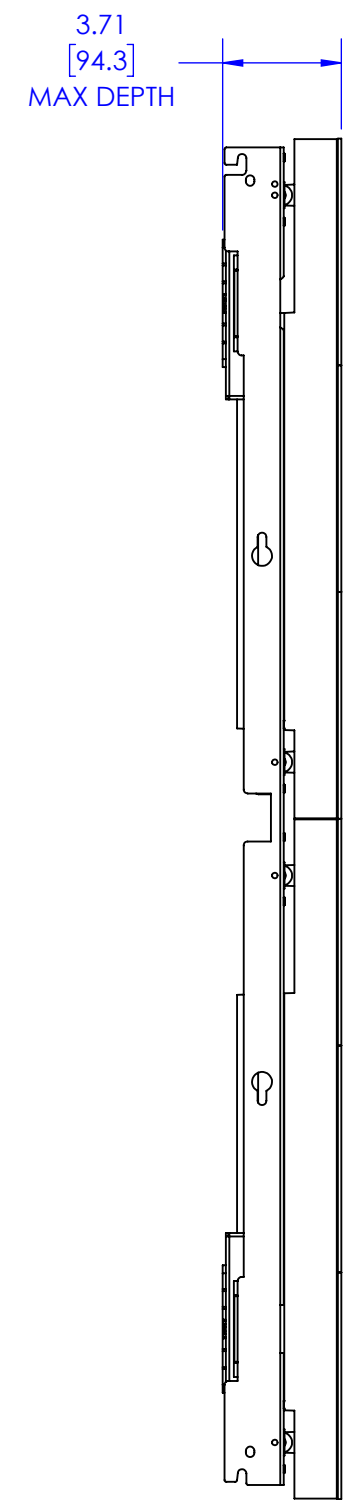
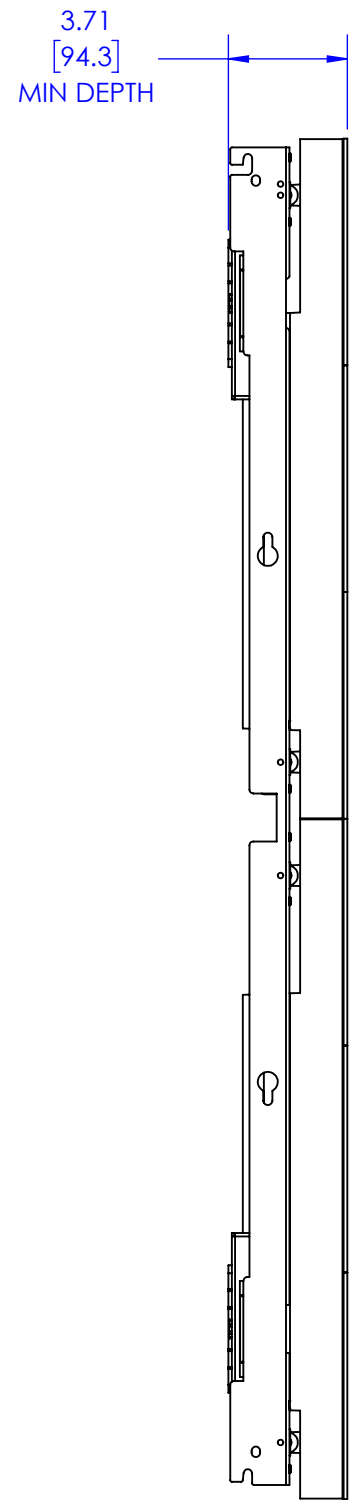


THE INFORMATION AND DESIGNS CONTAINED IN THIS DRAWING ARE CONFIDENTIAL AND THE PROPRIETARY PROPERTY OF LEGRAND | AV. NEITHER THIS DESIGN NOR ANY INFORMATION CONTAINED IN THIS DRAWING MAY BE REPRODUCED OR DISCLOSED TO OTHERS WITHOUT THE EXPRESS WRITTEN CONSENT OF LEGRAND | AV.

CAD GENERATED DRAWING, DO NOT MANUALLY UPDATE.					6436 CITY WEST PKWY EDEN PRAIRIE, MN, 55344 PHONE: 866-977-3901 FAX: 877-894-6918	
DRAWN BY	MM	7/13/2021	DESCRIPTION			
ENG APPROVAL			TILED SAMSUNG IER-F WALL MOUNT, 2 HIGH			
MFG APPROVAL			MODEL NO.			
QA APPROVAL			TILD1X2IERF			
SHEET 1 OF 2		SCALE	SIZE	DWG. NO.	REV.	
		1:6	B	TECH-001169	A	



TILD1X3IERF MOUNT WITH SAMSUNG IER-F DISPLAYS (REAR VIEW)



THE INFORMATION AND DESIGNS CONTAINED IN THIS DRAWING ARE CONFIDENTIAL AND THE PROPRIETARY PROPERTY OF LEGRAND | AV. NEITHER THIS DESIGN NOR ANY INFORMATION CONTAINED IN THIS DRAWING MAY BE REPRODUCED OR DISCLOSED TO OTHERS WITHOUT THE EXPRESS WRITTEN CONSENT OF LEGRAND | AV.

CAD GENERATED DRAWING, DO NOT MANUALLY UPDATE.					6436 CITY WEST PKWY EDEN PRAIRIE MN, 55344 PHONE: 866-977-3901 FAX: 877-894-6918	
DRAWN BY	MM	7/13/2021	DESCRIPTION			
ENG APPROVAL			TILED SAMSUNG IER-F WALL MOUNT, 2 HIGH			
MFG APPROVAL			MODEL NO.			
QA APPROVAL			TILD1X2IERF			
SHEET 2 OF 2		SCALE	SIZE	DWG. NO.	REV.	
		1:6	B	TECH-001169	A	