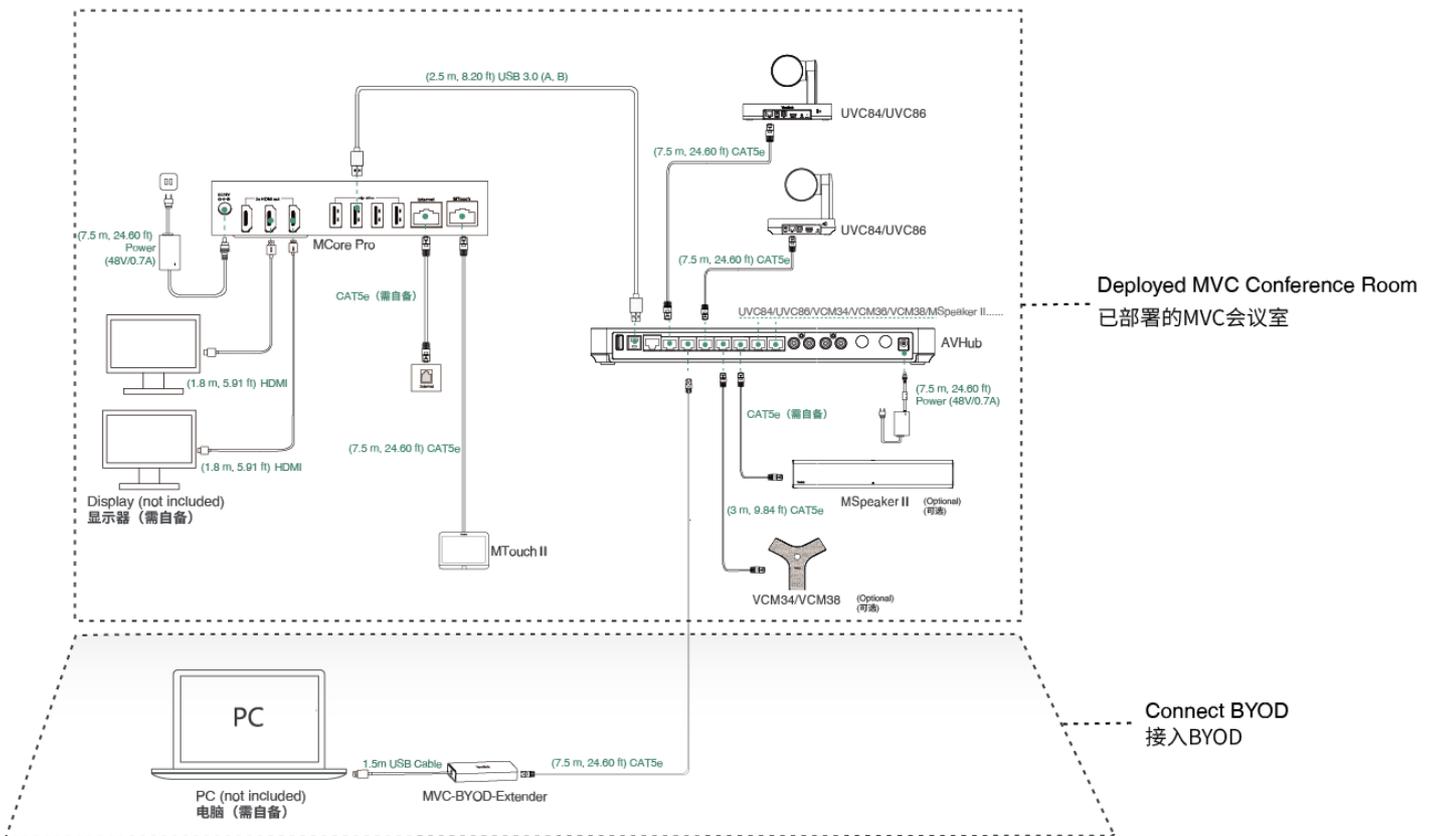


# MVC BYOD-Extender

## Introduction

Yealink MVC-BYOD-Extender supports the transformation between Microsoft Teams Rooms (MTR) and different types of UC platforms. Bring your device, plug the extender USB cable into the laptop, and start a video meeting whatever you want. Users can enjoy the immersive video and audio experience with dedicated devices, easy MTouch II touch panel meeting controls and wireless sharing through the WPP20 presentation pod. Deployment scenarios are as follows:

**NOTE**  
 Before using MVC BYOD-Extender, connect and deploy a complete set of MVC devices. If you do not connect to MCore, you cannot use BYOD mode normally.



## MVC BYOD-Extender Compatibility

Item	MVC960	MVC940	MVC860	MVC840	MVC660	MVC640-Wireless	MVC640-AI	MVC400	MVC320
BYOD-Extender	✓	✓	✓	✓	x	✓	x	✓	x

- The meeting rooms that are already connected to MSpeech, such as the MVC660 and MVC640-AI, do not support the use of the BYOD-Extender.
- The MVC BYOD-Extender does not support compatibility with other third-party devices.

## How to Use

## Installation

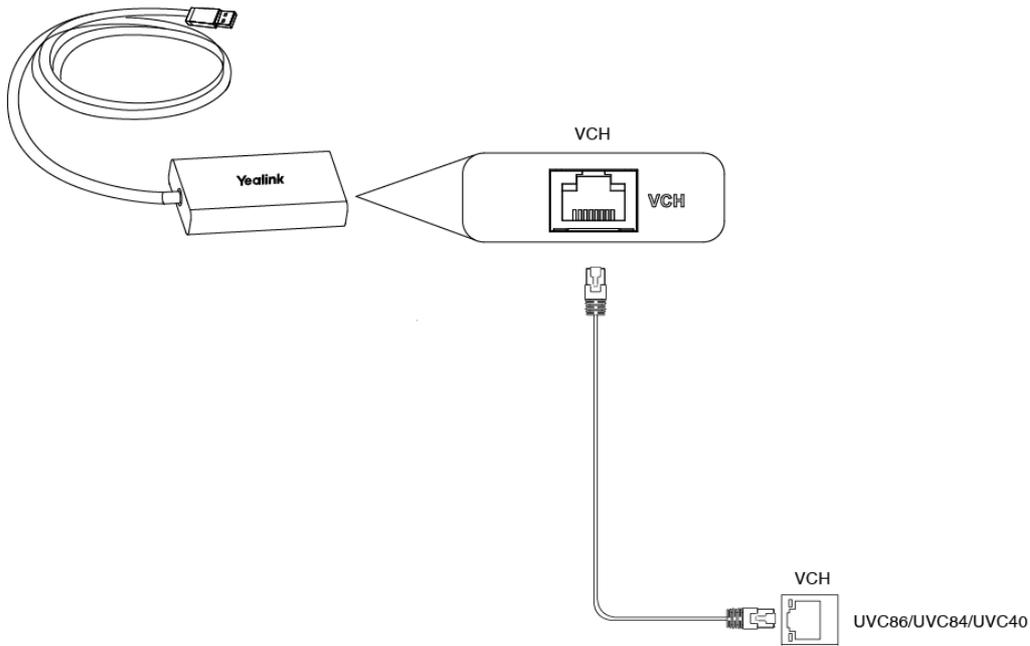
Installation

Connect Devices

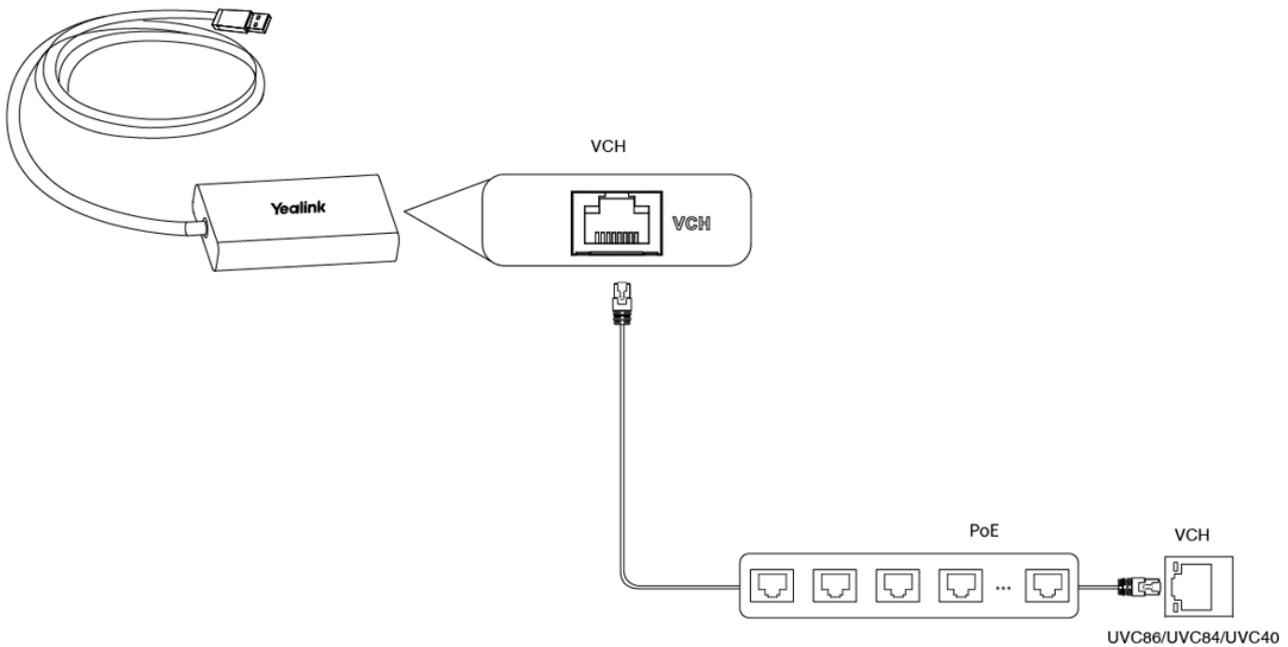
**NOTE**

The UVC camera/AVHub needs to be connected to its own power supply or a PoE switch for power supply, and cannot be powered by BYOD-Extender.

**Method 1: Connect to the VCH port of the UVC86/UVC84/UVC40 camera**

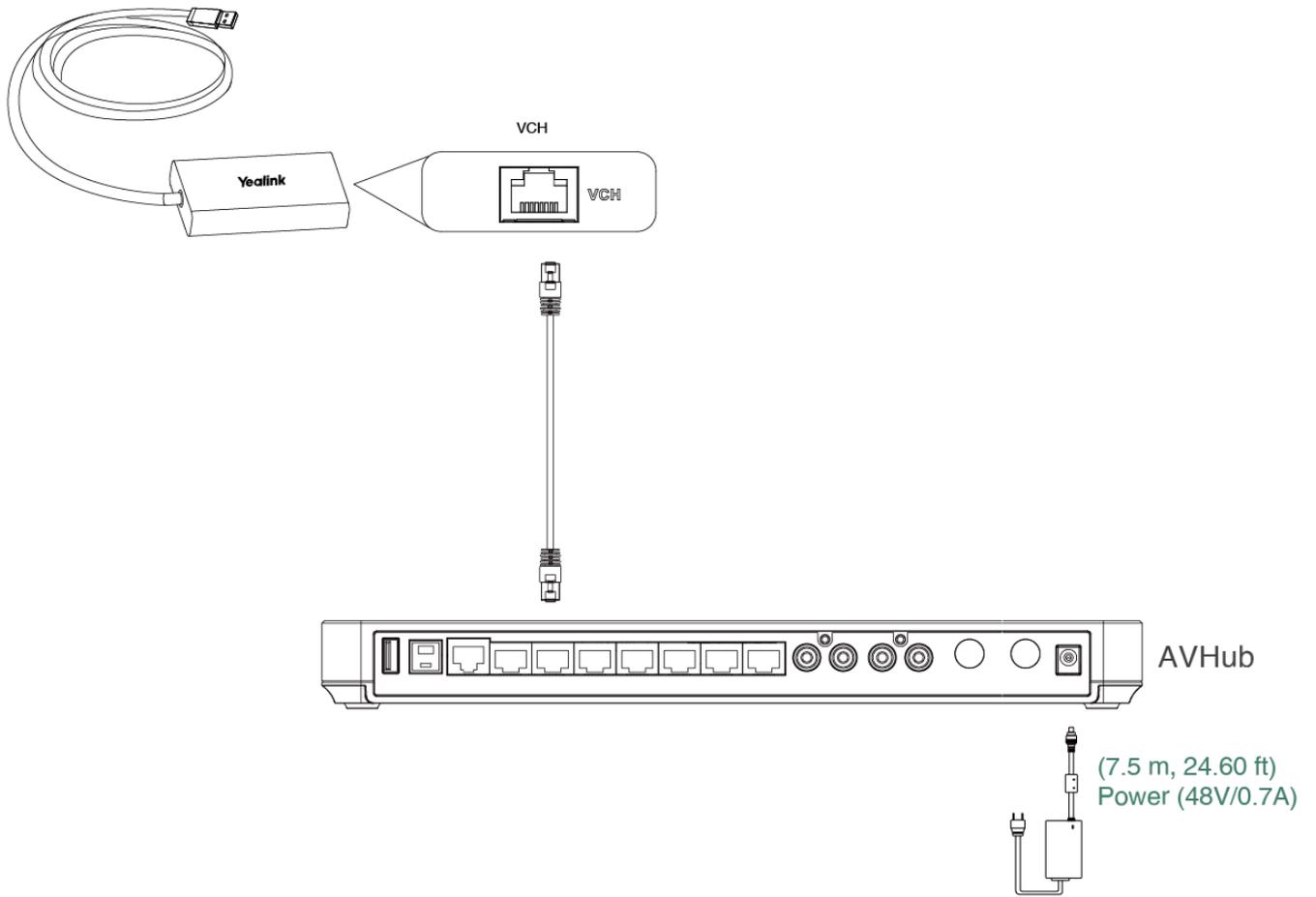


**Method 2: Connect via PoE switch**



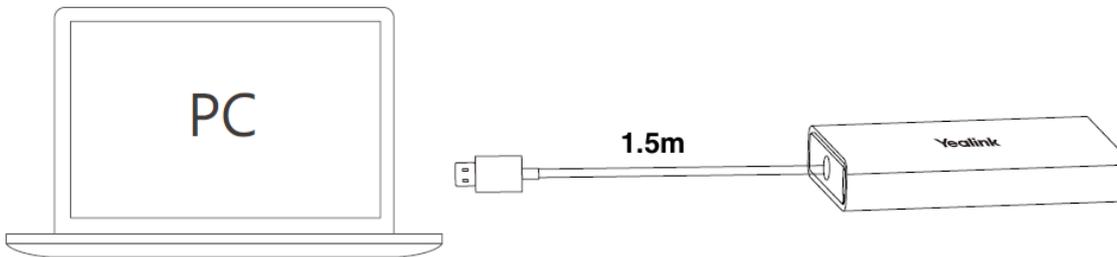
**Method 3: Connect via AVHub**

For specific connections, please refer to [AVHub](00. AVHub.md).



**Connect to PC**

Connect the USB port of the BYOD-Extender to your PC, and it will automatically enter BYOD mode. When you start a video meeting on your PC, you can use the audio and video device in the meeting room.



**Connect HDMI Cable to Share Content**

If you want to share a screen from your PC to your TV, connect an additional HDMI cable.