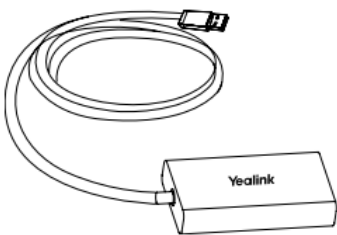


# MVC BYOD-Extender Installation

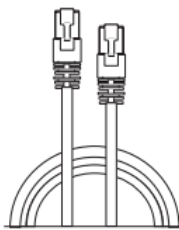
## Package Contents

**TIP**

We recommend that you use the accessories provided or approved by Yealink. The use of unapproved third-party accessories may result in poor performance.



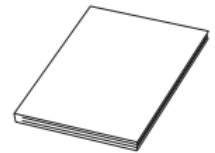
(1,5 m, 4,92 ft)  
MVC-BYOD-Extender  
(with USB -A)



(7,5m, 24,6ft)  
CAT5e UTP  
(RJ45 - RJ45) Cable



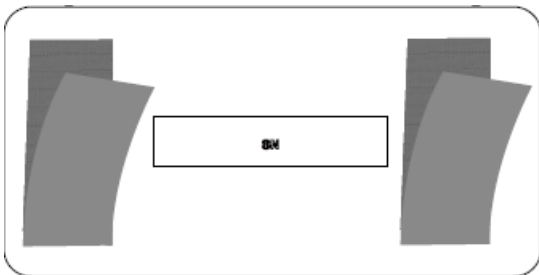
(W25.4\*L50mm,3M)  
Velcrox2



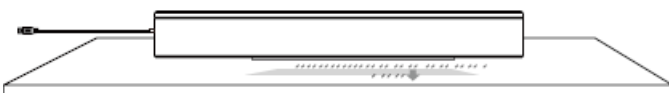
Quick Start Guide

## Install MVC BYOD Extender

1. Stick the velcros on the back of MVC-BYOD-Extender.



2. Put the MVC-BYOD-Extender on a surface such as a table, wall and so on.

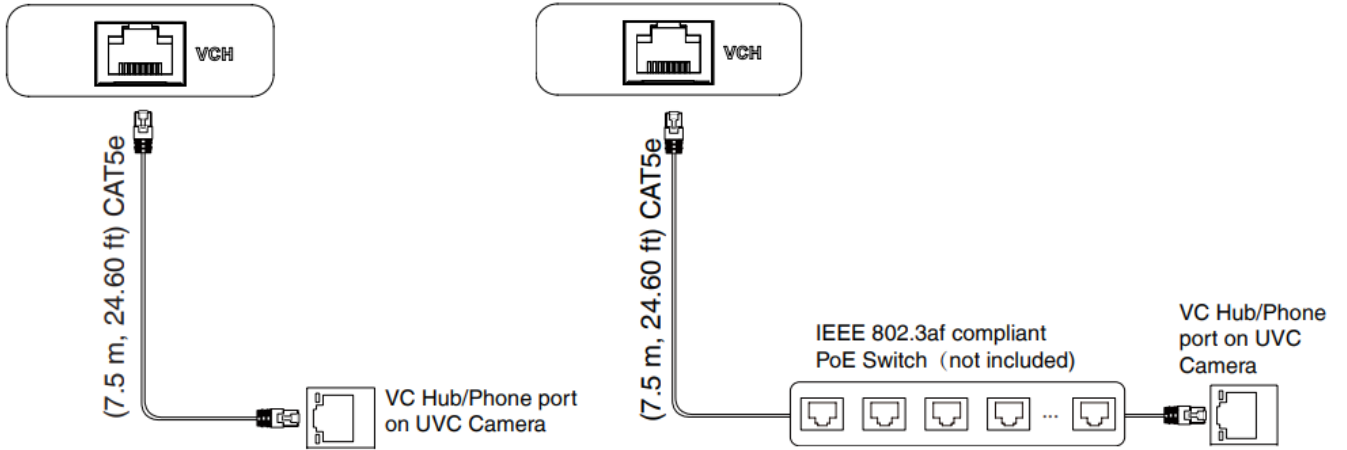


Please refer to [MVC BYOD-Extender](#) for more information on how to use it.

## Connetction

**Connect to the UVCamera**

- Connect directly to the UVC camera (UVC40)
- Connect to the UVC camera via PoE switch (UVC84)



**Connect to the PC**

