



C2G[®]
A brand of **legrand**[®]

DATA SHEET

Dual 4K HDMI[®] HDBaseT + VGA , 3.5mm, and RS232 over Cat Switching Extender Box Transmitter - 4K 60Hz

Extend 4K HDMI up to 130ft over a single Cat6a network patch cable using HDBaseT technology

OVERVIEW

The Dual 4K HDMI HDBaseT + VGA , 3.5mm, and RS232 over Cat Switching Extender Box Transmitter - 4K 60Hz allows 4K HDMI or VGA sources to be extended using a single Cat6a Ethernet cable. This is an ideal solution where video and audio needs to be extended to displays in conference rooms, classrooms, lecture halls, and many other installation needs that are far beyond the length limitations of standard cabling.

This transmitter extends HDMI and VGA signals over a single network patch cable. Extend 4K HDMI up to 115 feet and 1080p VGA up to 230 feet using a Cat5e or Cat6 cable. For longer 4K distances, extend 4K HDMI or up to 130 feet using a Cat6a cable.

This HDMI HDBaseT transmitter is HDCP 2.2 compliant, making sure that the connection from the source is secure. With bi-directional PoC support, one power adapter at either transmitter or receiver side can power both units, so no additional power adapter is required, allowing for greater flexibility in installations. The USB Micro-B input supports necessary firmware updates. Advanced users can control one-way IR pass through from the transmitter to the connected receiver and also control and configure both local and remote devices via RS232.

This HDBaseT transmitter works with C2G30015 and C2G30016 receivers.

Note: Ensure a solid reliable connection between the 4K HDMI HDBaseT Extender and critical equipment. We suggest using HDMI Cables with gripping connectors that provide greater port retention than standard HDMI connectors. For best performance use an HDBaseT Certified Cat6a Patch Cable.

FEATURES

- Extend 4K at 60Hz (4:2:0) up to 130ft and 1080p at 60Hz up to 200ft with Cat 6a cable
- Extend 4K at 60Hz (4:2:0) up to 115ft and 1080p at 60Hz up to 200ft with Cat 5e/6 cable
- Supports VGA resolutions up to 1920x1200 at 60Hz
- Supports automatic switching between input sources
- HDCP 2.2 compliant, to create a secure connection between the source and display
- All input audio source EDIDs are fixed at PCM 2CH
- HDMI input EDIDs are copied from HDBaseT receiver (limited below 4K 30Hz)
- VGA input EDID is fixed at 1080p 60Hz
- All HDMI and VGA EDIDs can be configured by API CMD
- Automatic CEC command to Power on/off display device, by detecting input signal status
- Control and configure both local and remote devices via RS232
- One-way IR pass through from the TX to the connected RX
- Bi-directional PoC, one power adapter at either transmitter or receiver side can power both units
- Supports firmware upgrade via the Micro USB port
- HDBaseT Chipset VS010, for simpler HDBaseT installations
- Works with C2G30015 and C2G30016 receivers

ITEM DESCRIPTION

C2G30018 Dual 4K HDMI HDBaseT + VGA , 3.5mm, and RS232 over Cat Switching Extender Box Transmitter - 4K 60Hz

SIGNAL SPECIFICATIONS

- Chipset: VS010-TX LPGA-196, EP92A6SQ QFN-128, MS9282 LQFP-64, STM32F103RCT6 LQFP-64, STM8S105K6T6C LQFP-32
- Input/Output Ports: 1 x VGA IN; 1 x VGA AUDIO IN; 2 x HDMI IN; RS232; 1 x HDBT OUT; 1 x Micro USB; DC 18V IN
- Input Signal Type: HDMI 1.4 with 4K @ 60Hz 4:2:0 8bit, HDCP 2.2; VGA input up to 1920x1200 @ 60Hz
- Audio Format: HDMI IN: Supports multi-channel audio formats, including PCM 7.1, Dolby TrueHD, Dolby Atmos, DTS-HD Master Audio and DTS:X
- Maximum Pixel Clock: 340Mhz
- Maximum Data Rate: 10.2Gbps
- Control and configure both local and remote devices via RS232
- One-way IR pass through from the TX to the connected RX

Transmission Distance

- Cat 6a/7 cable, extends 4Kx2K@60Hz (4:2:0) signal up to 40m/130ft and 1080P@60Hz signal up to 70m/230ft
- Cat 5e cable, extends 4Kx2K@60Hz (4:2:0) signal up to 35m/115ft and 1080P@60Hz signal up to 60m/200ft

ELECTRICAL SPECIFICATIONS

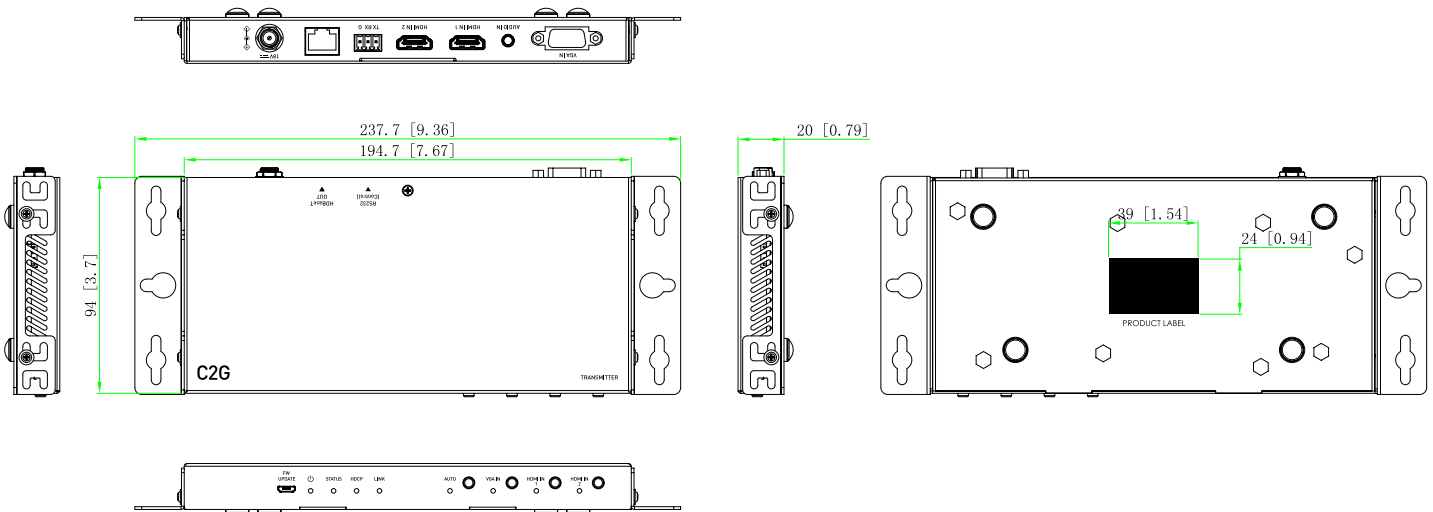
- Power Supply: Bi-directional PoC, one power adapter at either transmitter or receiver side can power both units
- Power Supply: DC 18V

PHYSICAL SPECIFICATIONS

- Operating Temperature: 0°C to 45°C (32°F to 113°F)
- Storage Temperature: -20°C to 70°C (-4°F to 158°F)
- Humidity: 10% to 90%, Non-Condensing
- ESD Protection: Human-body Model: ±8kV (Air-gap discharge) / ±4kV (Contact discharge)

PHYSICAL CHARACTERISTICS

- Device Dimension (W x H x D): 194.7mm x 20mm x 94mm / 7.67" x 0.79" x 3.7"



US 800 506 9607 w: www.c2g.com

UK (0)800 328 2916 EMEA +44 (0)1952 677300 w: www.c2g.com/uk

©2021 Legrand AV Inc. 210349 Rev A 5/21 C2G is a registered trademark of Legrand AV Inc. All rights reserved. All other brand names or marks are used for identification purposes and are trademarks of their respective owners. All patents are protected under existing designations. Other patents pending.

LEGRAND | AV COMMERCIAL BRANDS

C2G | Chief | Da-Lite | Luxul | Middle Atlantic | Vaddio | Wiremold