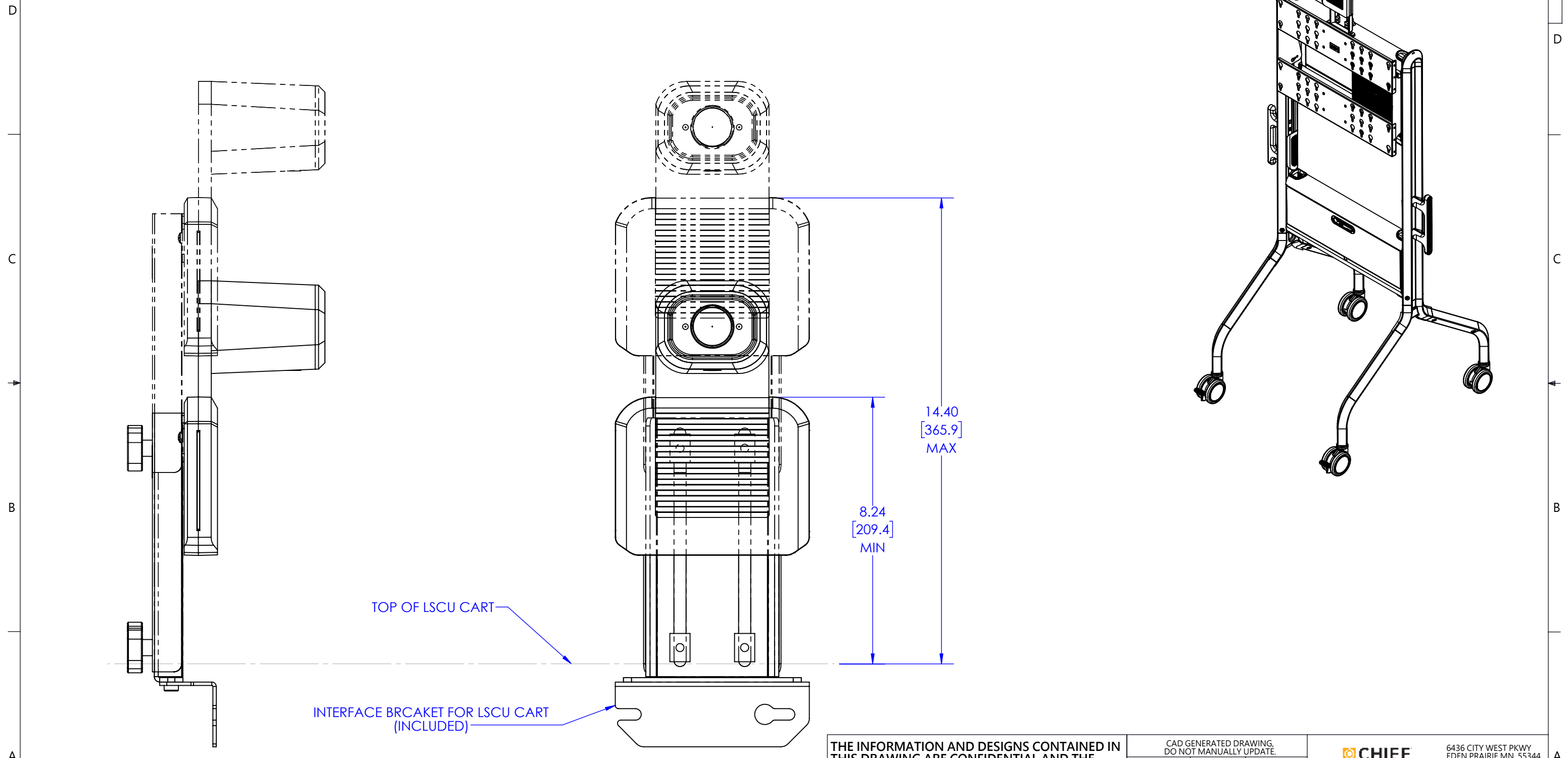


NOTE: CAMERA CAN BE INSTALLED ABOVE OR BELOW DISPLAY, CAMERA SHOWN FOR REFERENCE ONLY

THE INFORMATION AND DESIGNS CONTAINED IN THIS DRAWING ARE CONFIDENTIAL AND THE PROPRIETARY PROPERTY OF LEGRAND | AV. NEITHER THIS DESIGN NOR ANY INFORMATION CONTAINED IN THIS DRAWING MAY BE REPRODUCED OR DISCLOSED TO OTHERS WITHOUT THE EXPRESS WRITTEN CONSENT OF LEGRAND | AV.

CAD GENERATED DRAWING, DO NOT MANUALLY UPDATE.					6436 CITY WEST PKWY EDEN PRAIRIE MN, 55344 PHONE: 866-977-3901 FAX: 877-894-6918	
DRAWN BY	JL	7/14/2020	DESCRIPTION			
ENG APPROVAL			PAC800E TECH DRAWING			
MFG APPROVAL			MODEL NO.			
QA APPROVAL			PAC800E			
SHEET 1 OF 2		SCALE	SIZE	DWG. NO.	REV.	
		1:3	B	TECH-001085	02	

SHOWN WITH LSCU (SOLD SEPARATELY)



NOTE: CAMERA CAN BE INSTALLED ABOVE OR BELOW DISPLAY. DIMENSIONS ARE THE SAME FOR BOTH. SHOWN WITH CAMERA AND CART FOR REFERENCE ONLY.

THE INFORMATION AND DESIGNS CONTAINED IN THIS DRAWING ARE CONFIDENTIAL AND THE PROPRIETARY PROPERTY OF LEGRAND | AV. NEITHER THIS DESIGN NOR ANY INFORMATION CONTAINED IN THIS DRAWING MAY BE REPRODUCED OR DISCLOSED TO OTHERS WITHOUT THE EXPRESS WRITTEN CONSENT OF LEGRAND | AV.

CAD GENERATED DRAWING, DO NOT MANUALLY UPDATE.			6436 CITY WEST PKWY EDEN PRAIRIE MN, 55344 PHONE: 866-977-3901 FAX: 877-894-6918	
DRAWN BY	JL 7/14/2020		DESCRIPTION PAC800E TECH DRAWING	
ENG APPROVAL		MODEL NO. PAC800E		
MFG APPROVAL		SCALE	SIZE	DWG. NO.
QA APPROVAL		1:3	B	TECH-001085
SHEET 2 OF 2				REV. 02