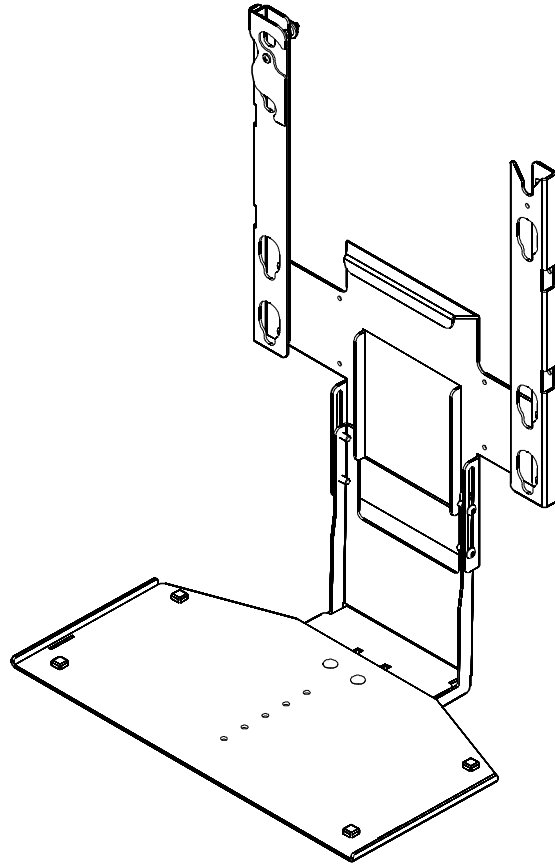


---

# INSTALLATION INSTRUCTIONS

---



---

## Large Shelf Accessory

---

### DISCLAIMER

Milestone AV Technologies and its affiliated corporations and subsidiaries (collectively "Milestone"), intend to make this manual accurate and complete. However, Milestone makes no claim that the information contained herein covers all details, conditions or variations, nor does it provide for every possible contingency in connection with the installation or use of this product. The information contained in this document is subject to change without notice or obligation of any kind. Milestone makes no representation of warranty, expressed or implied, regarding the information contained herein. Milestone assumes no responsibility for accuracy, completeness or sufficiency of the information contained in this document.

Chief® is a registered trademark of Milestone AV Technologies. All rights reserved.

### ! IMPORTANT SAFETY INSTRUCTIONS!

**! WARNING:** A WARNING alerts you to the possibility of serious injury or death if you do not follow the instructions.

**! CAUTION:** A CAUTION alerts you to the possibility of damage or destruction of equipment if you do not follow the corresponding instructions.

**! WARNING:** Failure to read, thoroughly understand, and follow all instructions can result in serious personal injury, damage to equipment, or voiding of factory warranty! It is the installer's responsibility to make sure all components are properly assembled and installed using the instructions provided.

**! WARNING:** Failure to provide adequate structural strength for this component can result in serious personal injury or damage to equipment! It is the installer's responsibility to make sure the structure to which this component is attached can support five times the combined weight of all equipment. Reinforce the structure as required before installing the component. The wall to which the mount is being attached may have a maximum drywall thickness of 5/8" (1.6cm).

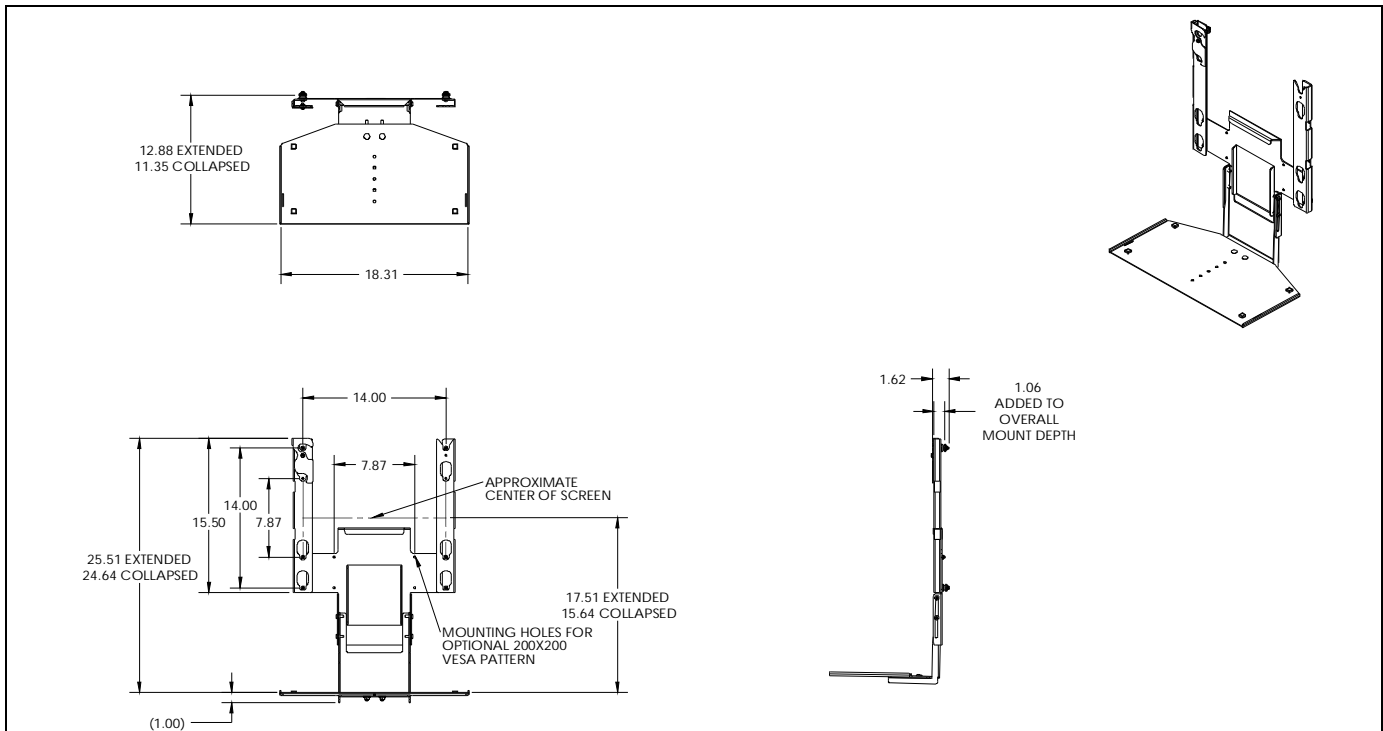
**! WARNING:** Exceeding the weight capacity can result in serious personal injury or damage to equipment! It is the installer's responsibility to make sure the combined weight of all components located on the PACCS1 does not exceed 15 lbs (6.8 kg). Use with products heavier than the maximum weight indicated may result in collapse of the mount and its accessories causing possible injury.

**! WARNING:** RISK OF INJURY TO PERSONS! Do not use this mounting system to support video equipment such as televisions or computer monitors.



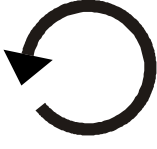



**! WARNING:** Do not use this product outdoors.

**--SAVE THESE INSTRUCTIONS--**

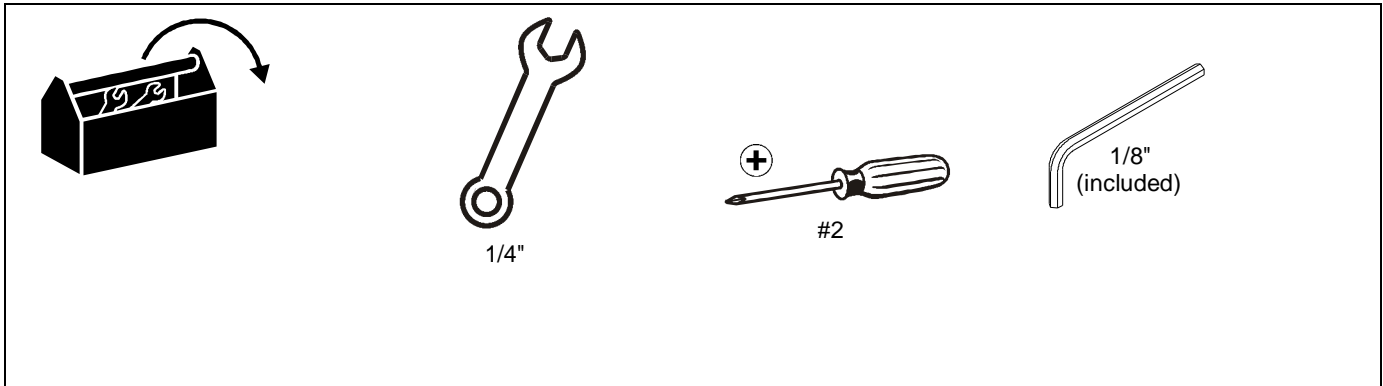
### DIMENSIONS



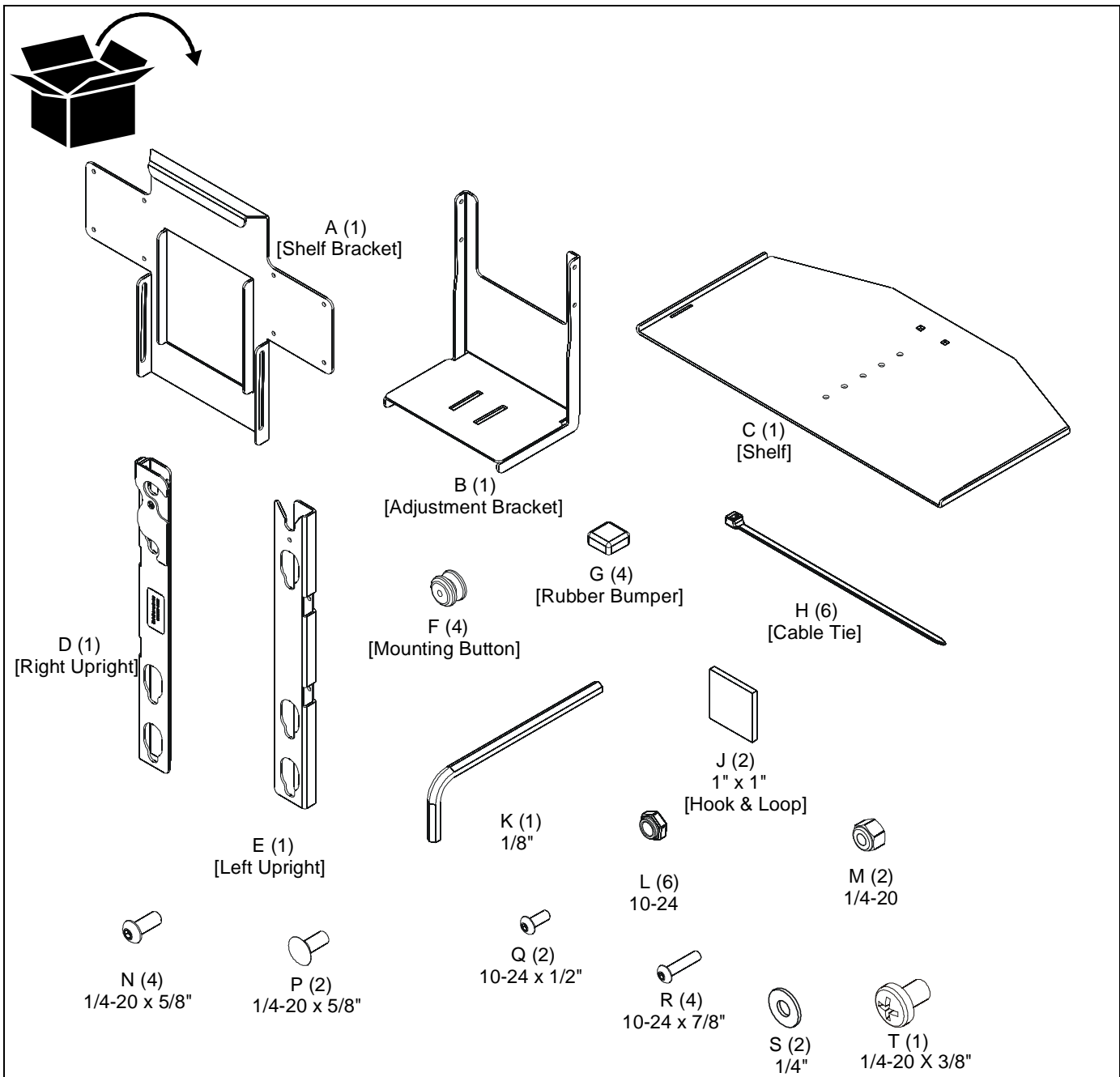
**LEGEND**

	<table border="1"> <thead> <tr> <th>Tighten Fastener</th> </tr> </thead> <tbody> <tr><td>Apretar elemento de fijación</td></tr> <tr><td>Befestigungsteil festziehen</td></tr> <tr><td>Apertar fixador</td></tr> <tr><td>Serrare il fissaggio</td></tr> <tr><td>Bevestiging vastdraaien</td></tr> <tr><td>Serrez les fixations</td></tr> </tbody> </table>	Tighten Fastener	Apretar elemento de fijación	Befestigungsteil festziehen	Apertar fixador	Serrare il fissaggio	Bevestiging vastdraaien	Serrez les fixations		<table border="1"> <thead> <tr> <th>Hex-Head Wrench</th> </tr> </thead> <tbody> <tr><td>Llave de cabeza hexagonal</td></tr> <tr><td>Sechskantschlüssel</td></tr> <tr><td>Chave de cabeça sextavada</td></tr> <tr><td>Chiave esagonale</td></tr> <tr><td>Zeskantsleutel</td></tr> <tr><td>Clé à tête hexagonale</td></tr> </tbody> </table>	Hex-Head Wrench	Llave de cabeza hexagonal	Sechskantschlüssel	Chave de cabeça sextavada	Chiave esagonale	Zeskantsleutel	Clé à tête hexagonale
Tighten Fastener																	
Apretar elemento de fijación																	
Befestigungsteil festziehen																	
Apertar fixador																	
Serrare il fissaggio																	
Bevestiging vastdraaien																	
Serrez les fixations																	
Hex-Head Wrench																	
Llave de cabeza hexagonal																	
Sechskantschlüssel																	
Chave de cabeça sextavada																	
Chiave esagonale																	
Zeskantsleutel																	
Clé à tête hexagonale																	
	<table border="1"> <thead> <tr> <th>Loosen Fastener</th> </tr> </thead> <tbody> <tr><td>Aflojar elemento de fijación</td></tr> <tr><td>Befestigungsteil lösen</td></tr> <tr><td>Desapertar fixador</td></tr> <tr><td>Allentare il fissaggio</td></tr> <tr><td>Bevestiging losdraaien</td></tr> <tr><td>Desserrez les fixations</td></tr> </tbody> </table>	Loosen Fastener	Aflojar elemento de fijación	Befestigungsteil lösen	Desapertar fixador	Allentare il fissaggio	Bevestiging losdraaien	Desserrez les fixations		<table border="1"> <thead> <tr> <th>Open-Ended Wrench</th> </tr> </thead> <tbody> <tr><td>Llave de boca</td></tr> <tr><td>Gabelschlüssel</td></tr> <tr><td>Chave de bocas</td></tr> <tr><td>Chiave a punte aperte</td></tr> <tr><td>Steeksleutel</td></tr> <tr><td>Clé à fourche</td></tr> </tbody> </table>	Open-Ended Wrench	Llave de boca	Gabelschlüssel	Chave de bocas	Chiave a punte aperte	Steeksleutel	Clé à fourche
Loosen Fastener																	
Aflojar elemento de fijación																	
Befestigungsteil lösen																	
Desapertar fixador																	
Allentare il fissaggio																	
Bevestiging losdraaien																	
Desserrez les fixations																	
Open-Ended Wrench																	
Llave de boca																	
Gabelschlüssel																	
Chave de bocas																	
Chiave a punte aperte																	
Steeksleutel																	
Clé à fourche																	
	<table border="1"> <thead> <tr> <th>Phillips Screwdriver</th> </tr> </thead> <tbody> <tr><td>Destornillador Phillips</td></tr> <tr><td>Kreuzschlitzschraubendreher</td></tr> <tr><td>Chave de fendas Phillips</td></tr> <tr><td>Cacciavite a stella</td></tr> <tr><td>Kruiskopschroevendraaier</td></tr> <tr><td>Tournevis à pointe cruciforme</td></tr> </tbody> </table>	Phillips Screwdriver	Destornillador Phillips	Kreuzschlitzschraubendreher	Chave de fendas Phillips	Cacciavite a stella	Kruiskopschroevendraaier	Tournevis à pointe cruciforme		<table border="1"> <thead> <tr> <th>Adjust</th> </tr> </thead> <tbody> <tr><td>Ajustar</td></tr> <tr><td>Einstellen</td></tr> <tr><td>Ajustar</td></tr> <tr><td>Regolare</td></tr> <tr><td>Afstellen</td></tr> <tr><td>Ajuster</td></tr> </tbody> </table>	Adjust	Ajustar	Einstellen	Ajustar	Regolare	Afstellen	Ajuster
Phillips Screwdriver																	
Destornillador Phillips																	
Kreuzschlitzschraubendreher																	
Chave de fendas Phillips																	
Cacciavite a stella																	
Kruiskopschroevendraaier																	
Tournevis à pointe cruciforme																	
Adjust																	
Ajustar																	
Einstellen																	
Ajustar																	
Regolare																	
Afstellen																	
Ajuster																	

**TOOLS REQUIRED FOR INSTALLATION**



**PARTS**



### ASSEMBLY AND INSTALLATION

**NOTE:** The PACCS1 is designed to accommodate both 200mm x 200mm and 14" x 14" Q-latch mounting systems. If a 200mm x 200mm pattern is required, use the inner mounting holes on the shelf bracket (A) when installing the uprights (D and E). (See Figure 2)

**NOTE:** The 14" x 14" display mounting pattern is NOT identical to a 400 x 400 VESA display mounting pattern.

**IMPORTANT ! :** If installing the PACCS1 with the PACLR1 the top mounting flange on the PACCS1 must hang over the top of the lower speaker rail on the PACLR1 when installed. (See Figure 3)

#### Assemble PACCS1

1. Install top two mounting buttons (F) to uprights (D and E) using two 10-24 x 7/8" button head cap screws (R) and two 10-24 lock nuts (L). (See Figure 1)

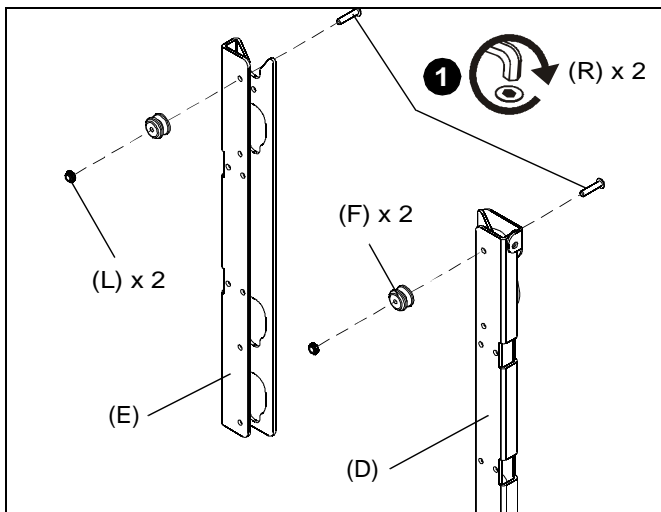


Figure 1

2. Assemble two lower mounting buttons (F) to uprights (D and E) and shelf bracket (A) using two 10-24 x 7/8" button head cap screws (R) and two 10-24 lock nuts (L).
3. Complete attachment of uprights (D and E) to shelf bracket (A) using two 10-24 x 1/2" button head cap screws (Q) and two 10-24 lock nuts (L). (See Figure 2)

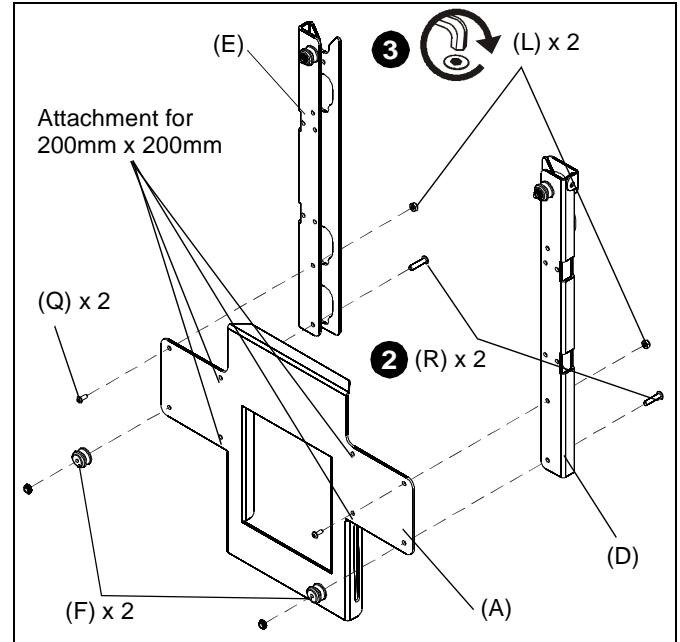


Figure 2

4. Assemble adjustment bracket (B) to shelf bracket (A) using four 1/4-20 x 5/8" button head cap screws (N) -- two on each side of adjustment bracket. (See Figure 3)

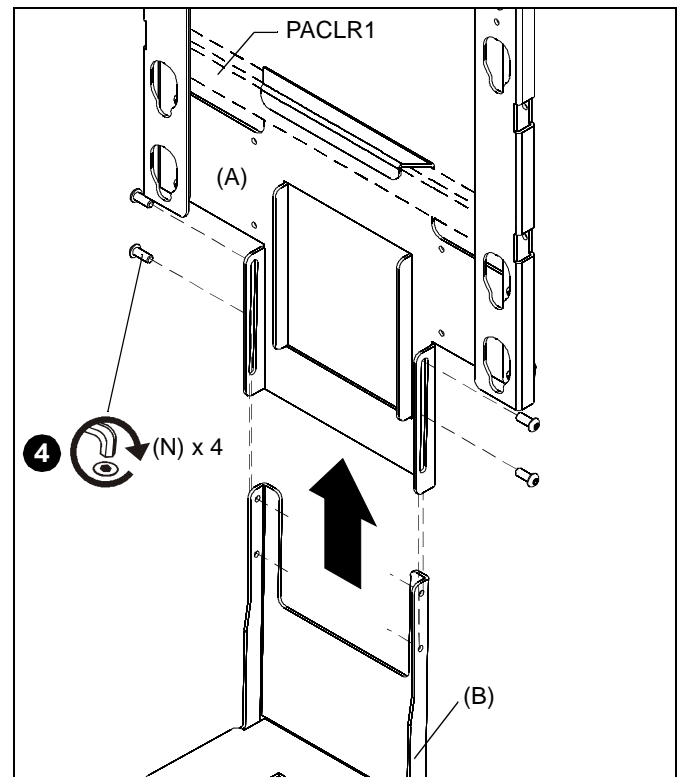


Figure 3

5. Lower shelf (C) to the assembly. (See Figure 4)
6. Attach shelf (C) using two 1/4-20 x 5/8" round head carriage bolts (P), two 1/4" flat washers (S) and two 1/4-20 nylon lock nuts (M). (See Figure 4)

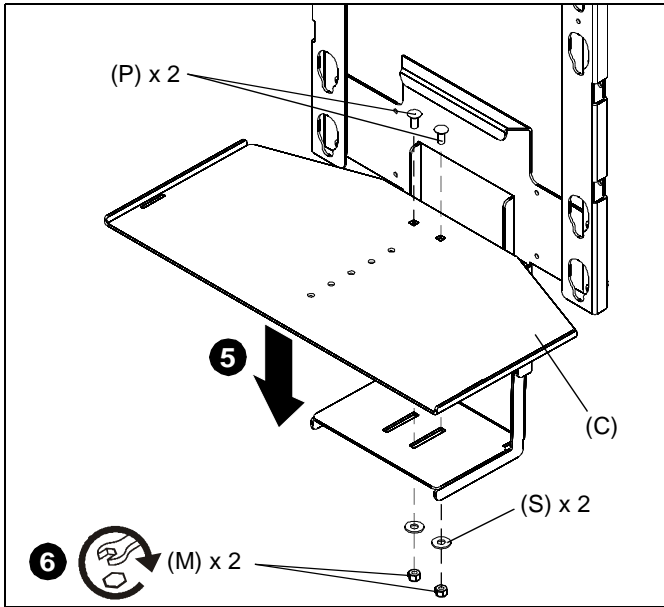


Figure 4

**Installing PACCS1 to Mount and Display to PACCS1**

1. Install PACCS1 to mount following the installation instructions provided with the mount. (See Figure 5)

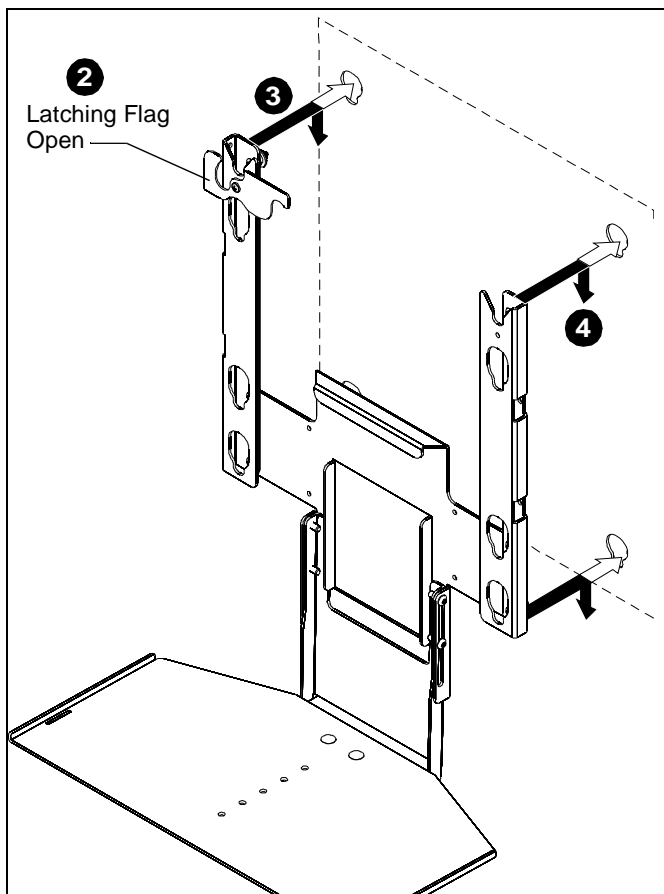


Figure 5

2. Verify latching flag is in the OPEN position. (See Figure 5) and (See Figure 6)
3. Align four mounting buttons on display with four teardrop mounting holes in accessory. (See Figure 5) and (See Figure 6)
4. Slide mounting buttons into teardrop mounting holes and lower display until recessed area of mounting buttons is seated in lower area of teardrop mounting holes. (See Figure 5) and (See Figure 6)



**WARNING:** IMPROPER INSTALLATION CAN LEAD TO DISPLAY FALLING CAUSING SEVERE PERSONAL INJURY OR DAMAGE TO EQUIPMENT. Make sure ALL mounting buttons are properly seated in lower area of four teardrop mounting holes.

5. Move latching flag to CLOSED position to secure display on PACCS1. (See Figure 6)

**NOTE:** A padlock or similar device may be used to provide additional security.

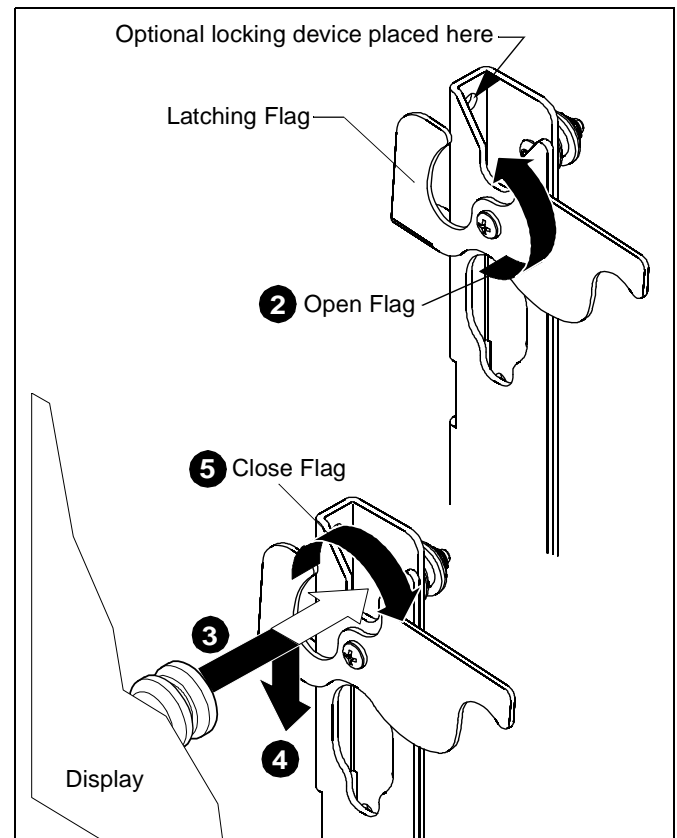


Figure 6

**Adjustments**

The PACCS1 allows for vertical adjustment of the shelf to provide a flush installation against the bottom of the display.

**To adjust shelf vertical position:**

1. Loosen two button head cap screws securing adjustment bracket to shelf bracket using 1/8" hex wrench (K). (See Figure 7)

2. Reposition shelf up or down to desired position. (See Figure 7)
3. Tighten two button head cap screws securing adjustment bracket to shelf bracket using 1/8" hex wrench (K). (See Figure 7)

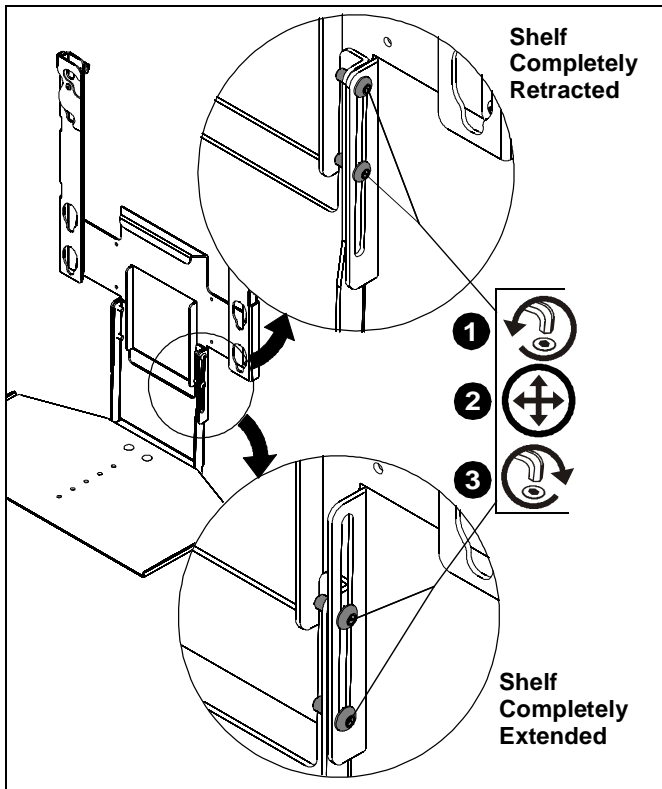


Figure 7

**To adjust shelf horizontal position:**

1. Loosen two round head carriage bolts securing shelf. (See Figure 8)

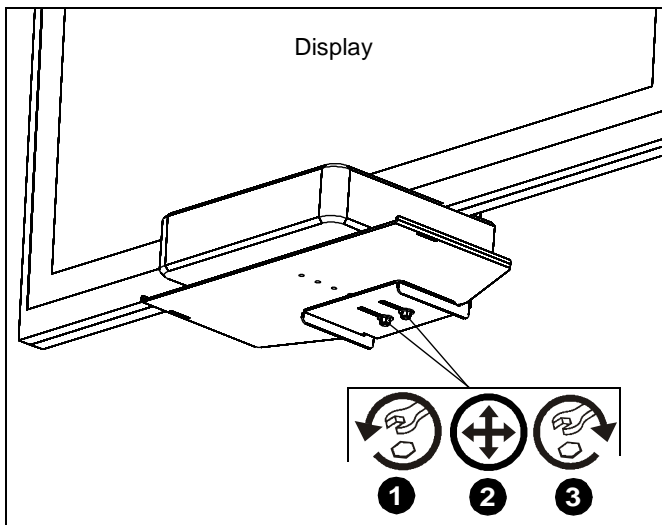


Figure 8

2. Reposition shelf in or out to desired position. (See Figure 8)
3. Tighten two round head carriage bolts securing shelf. (See Figure 8)

**Cable Management**

Route cables and wires to display using cable ties (H) as necessary, and following manufacturers installation instructions.

**Installing Equipment on Shelf Using Strap**

1. If necessary, place rubber bumpers (G) or hook and loop squares (J) on shelf to help hold equipment in place.
2. Place equipment on shelf.

**NOTE:** A strap, such as the PAC103 (not included), may also be used to hold the equipment in place on the shelf.

3. **OPTIONAL:** Thread optional strap (PAC103) through slots in shelf. (See Figure 9)
4. Complete installation of strap following instructions included with the strap kit.

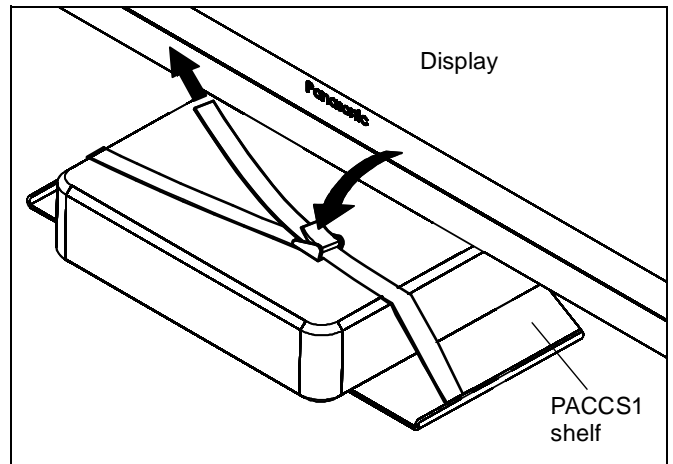


Figure 9

**Installing Camera on Shelf Using Screw**

**NOTE:** Mounting options will vary depending on the type of camera being mounted.

1. Install 1/4-20 x 3/8" Phillips pan machine screw (T) through one of the mounting holes on shelf and into the hole on the bottom of the camera. (See Figure 10)

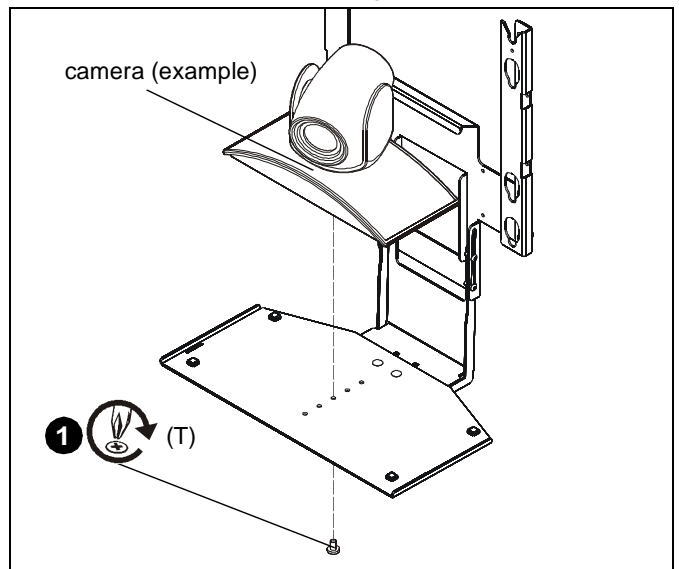


Figure 10



Our Mounts. **Your Vision.**

Chief Manufacturing, a products division  
of Milestone AV Technologies

8800-002050 Rev04  
©2012 Milestone AV Technologies, a  
Duchossois Group Company  
[www.chiefmfg.com](http://www.chiefmfg.com)  
07/12

<b>USA/International</b>	<b>A</b> 6436 City West Parkway, Eden Prairie, MN 55344
	<b>P</b> 800.582.6480 / 952.225.6000
	<b>F</b> 877.894.6918 / 952.894.6918
<b>Europe</b>	<b>A</b> Franklinstraat 14, 6003 DK Weert, Netherlands
	<b>P</b> +31 (0) 495 580 852
	<b>F</b> +31 (0) 495 580 845
<b>Asia Pacific</b>	<b>A</b> Office No. 1 on 12/F, Shatin Galleria 18-24 Shan Mei Street Fotan, Shatin, Hong Kong
	<b>P</b> 852 2145 4099
	<b>F</b> 852 2145 4477

