

# Alpine 23 CO

Compact AMD CPU-Cooler for Continuous Operation



## General Specifications

Compatibility	AMD® AM4
Heatsink	Radial Heatsink
Fan Diameter	90 mm
TIM	MX-2 pre-applied
Noise Level	0.3 Sone
Dimensions	121 (L) x 98.6 (W) x 65 (H) mm
Weight	275.5 g

## Heatsink Specifications

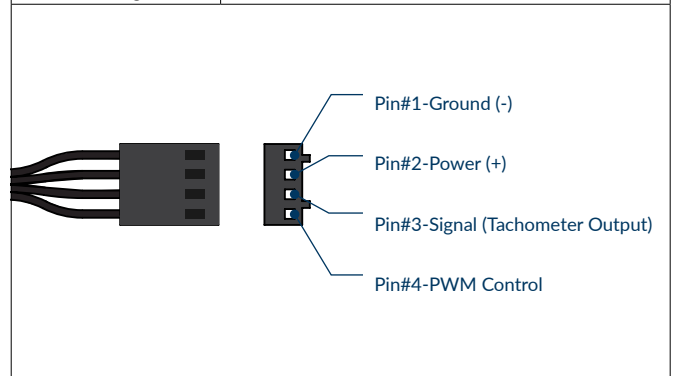
Outer Diameter	93.4 mm
Core Diameter	32 mm
Number of Fins	50 Y-shaped fins
Material	Aluminium

## Shipping Information

Box Dimensions	111 (L) x 111 (W) x 76 (H) mm
Gross Weight	338 g
SKU	ACALP00036A
EAN	4895213702836
UPC	840033400633

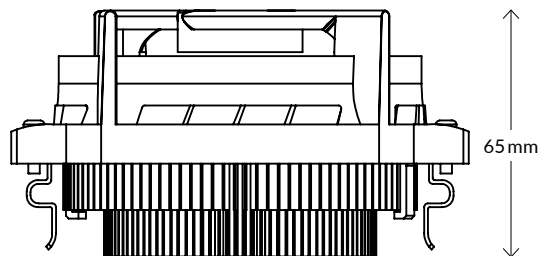
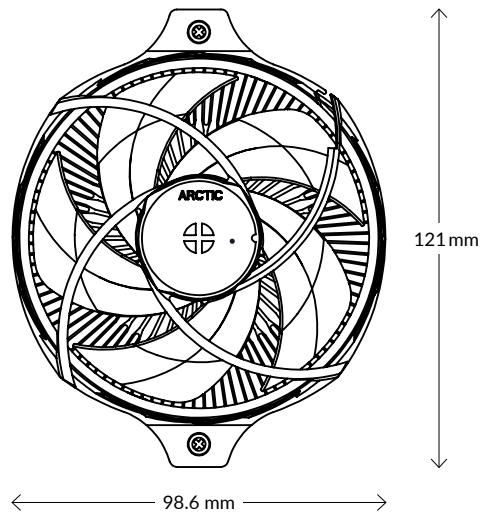
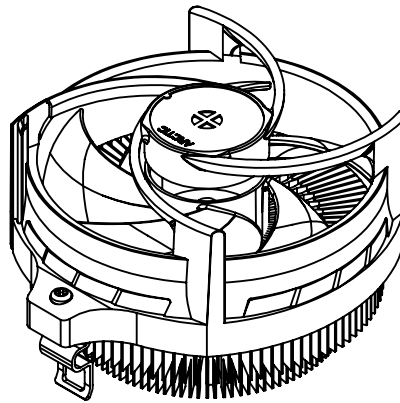
## Fan Specifications

Speed	200-2700 rpm
Speed Control	Pulse Width Modulation
Connector	4-Pin Connector
Bearing	Dual Ball Bearing
Current/Voltage	0.09 A/12 V



# Alpine 23 CO

Compact AMD CPU-Cooler for Continuous Operation



All materials are compatible with RoHS requirements



Product Information



Manual