

# P12 Slim PWM PST

Pressure-optimised 120 mm PWM Fan with integrated Y-cable



## General Specifications

Fan Speed	300–2100 rpm (Controlled by PWM)
Airflow	71.53 m <sup>3</sup> /h 41.1 cfm
Static Pressure	1.45 mm/H <sub>2</sub> O
Noise Level	0.3 Sone
RPM-Controll	PWM
Fan Bearing	Fluid Dynamic Bearing
Connector	4 Pin Connector + 4 Pin Socket
Net Weight	85 g
Dimensions	120 (L) x 120 (W) x 15 (H) mm
Warranty	10 years

## Electrical Specifications

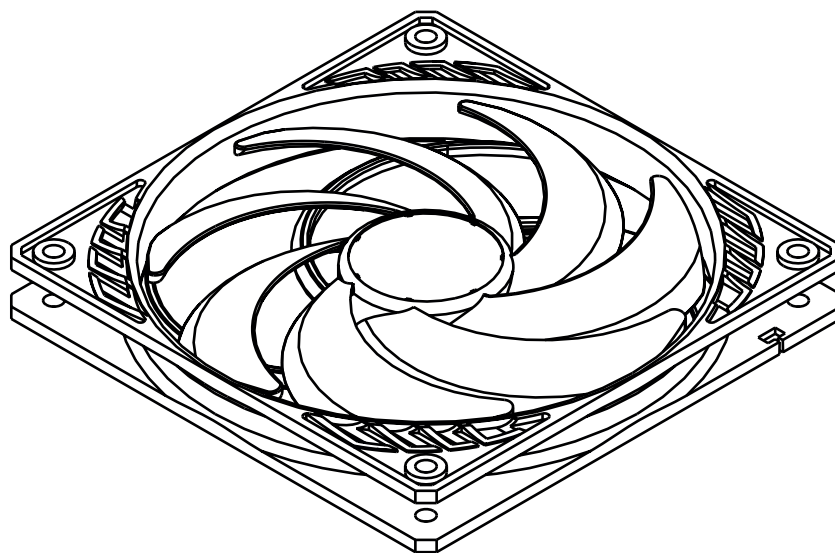
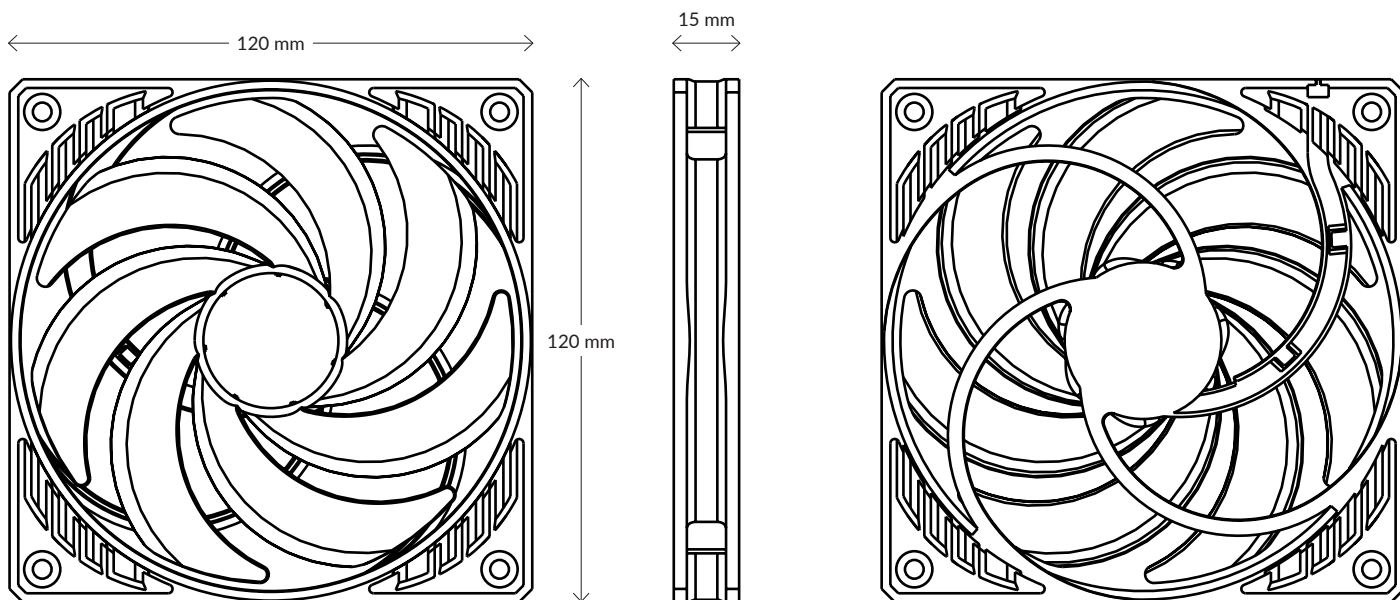
Typical Voltage	12 V
Start Up Voltage	4 V
Current	0.12 A
Cable Length	400 mm + 80 mm

## Shipping Information

Box Dimensions	123 (L) x 127 (W) x 16 (H) mm
Gross Weight	110 g
SKU	ACFAN00187A
EAN	4895213703130
UPC	840033400930

# P12 Slim PWM PST

Pressure-optimised 120 mm PWM Fan with integrated Y-cable



All materials are compatible with RoHS requirements



Product Information



Manual