

The AP-270-MNT-H3 mount kit can be used for mounting an outdoor AP to a wall or pole.

Package Contents

Table 1: *Package Contents*

Item	Quantity
Mounting bracket	1
Mounting arm	1
Mounting holder	1
M10 x 30 screw	2
M6 x 20 screw	3
60 cm cable tie	1
6 inches hose clamp	2

Customer Supplied Equipment

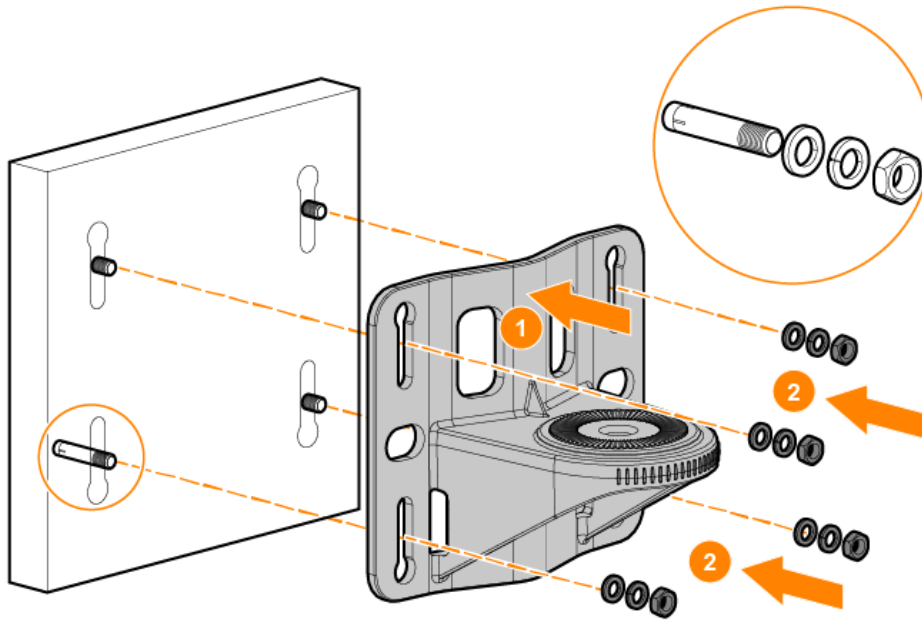
- #1 Phillips screwdriver
- Electric drill with drill bits
- Anchor bolts, washers, and nuts

Mounting the AP to a Wall

To mount an access point to a wall, follow these steps:

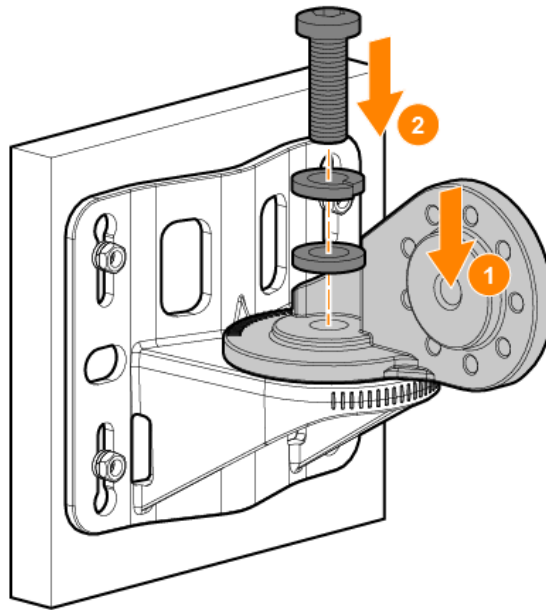
1. Use the mounting bracket as a template, or the dimensions of the mounting bracket on the last page of the printed installation guide, to mark four mounting points on the wall.
2. Use a drill to make four holes on the four markings from the previous step.
3. Insert an anchor bolt (not included in the package) into each drilled hole.
4. Place the mounting bracket over the anchor bolts and press the bracket against the wall.
5. Place the washers and nut (not included in the package) onto the bolt's threaded end and tighten the nut until the mounting bracket is firmly attached to the wall.

Figure 1 Attaching the Mounting Bracket to a Wall



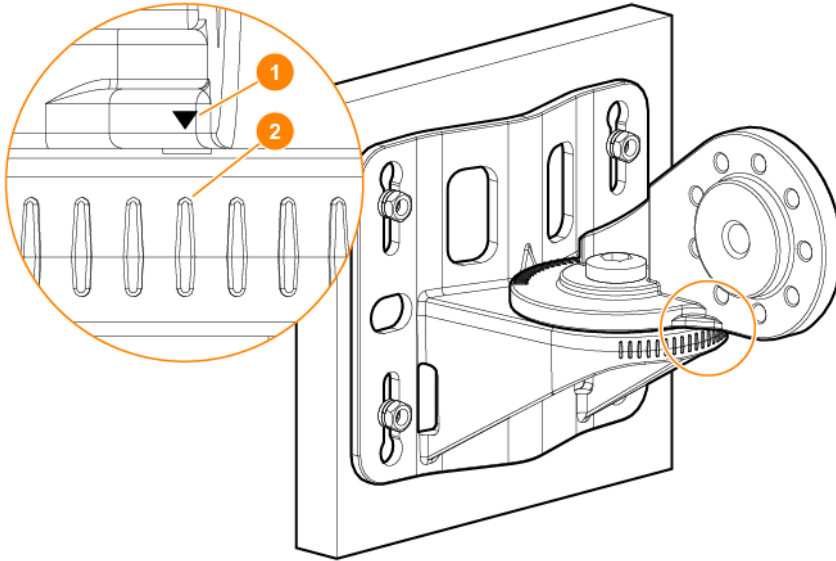
6. Use the included M10 x 30 screw (with washers) to attach the mounting arm to the mounting bracket. Tighten the screw to a torque of 12 N.m. The horizontal angles of the AP can be adjusted +/-45 degrees.

Figure 2 Attaching the Mounting Arm to the Mounting Bracket



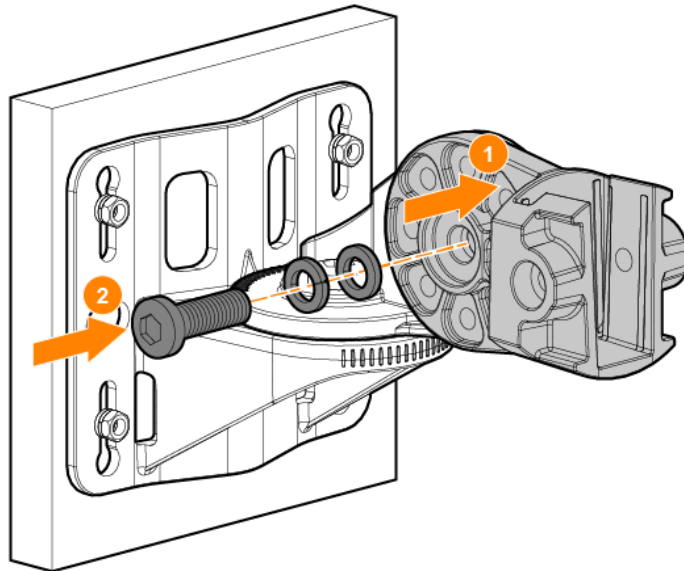
7. The arrow on the mounting arm points to the degree on the mounting bracket.

Figure 3 Arrow on the Mounting Arm and Degree on the Mounting Bracket



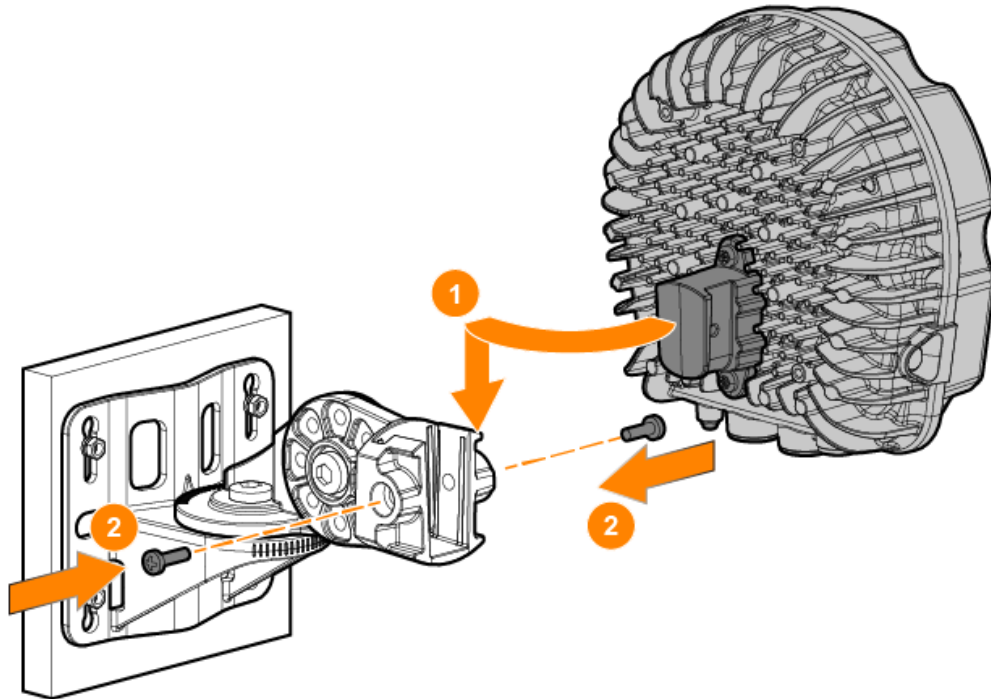
8. Use the included M10 x 30 screw (with washers) to attach the mounting holder to the mounting arm. Tighten the screw to a torque of 12 N.m.

Figure 4 Attaching the Mounting Holder to the Mounting Arm



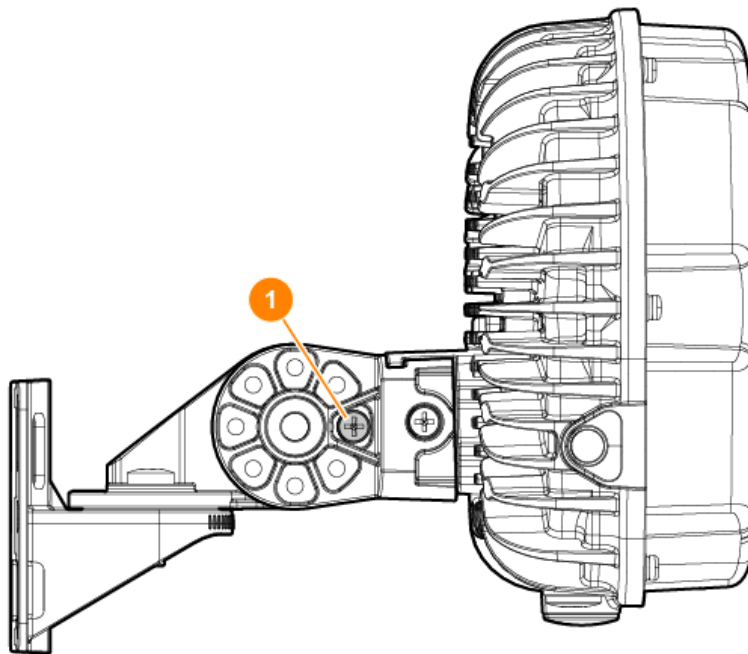
9. Slide the holder of the AP into the opening of the mounting holder and use the two M6 x 20 screws (included in the package) to attach the AP to the mounting holder. Tighten the screw to a torque of 2.5 N.m.

Figure 5 Attaching the AP to the Mounting Holder



10. The vertical angle of the AP can be adjusted +/-45 degrees by inserting the M6 x 20 screw (included in the package) into the different holes on the mounting holder. Tighten the screw to a torque of 2.5 N.m.

Figure 6 Attaching the AP to the Mounting Holder (Completed)



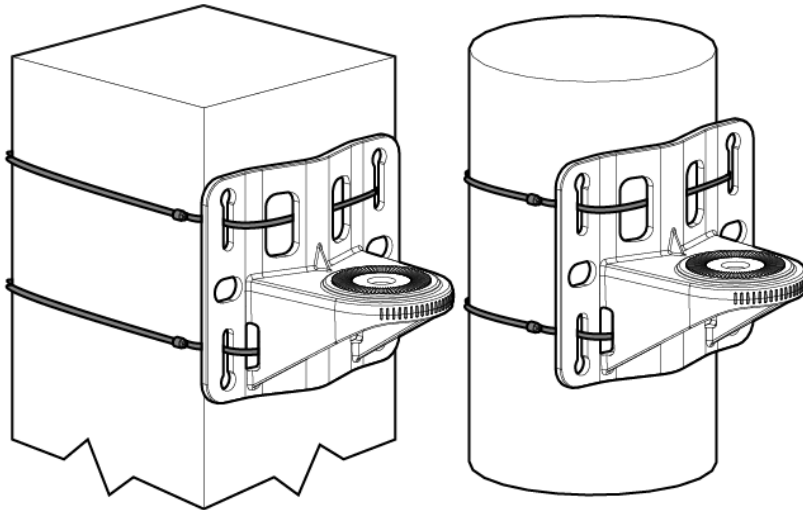
11. Use the cable tie to fasten the cables on the mounting bracket.

Mounting the AP to a Pole

To mount an access point to a pole, follow these steps:

1. Slide the two hose clamps through the two sets of slots on the mounting bracket.
2. Hold the mounting bracket against the pole, and tighten the hose clamps by using a screw driver to twist its screw head. The hose clamps included in the package support a pole with a diameter of 4 to 6 inch (100 to 150 mm).

Figure 7 Attaching the Mounting Bracket to a Pole



3. Repeat the step 6 to 11 in the [Mounting the AP to a Wall](#) section to complete the AP installation.



