

### BMA VESA-Mount Bracket

This document provides information about how to install the BMA VESA-Mount Bracket. Product specifications, including dimensional drawings, are included.

#### Before you begin installation, please note the following important information:

1. Examine shipment and report damage to your transportation carrier.
2. Included components
  - Bracket, part number 910-3200-211 or 910-3200-211-I (International)
  - M3x8 Screw (8)
  - M3 Flat Washer (8)
  - M3 Lock Washer (8)
  - M4x12 Screw (4)
  - M4 Flat Washer (4)
  - M4 Lock Washer (4)
3. Required Tools
  - Phillips Screwdriver



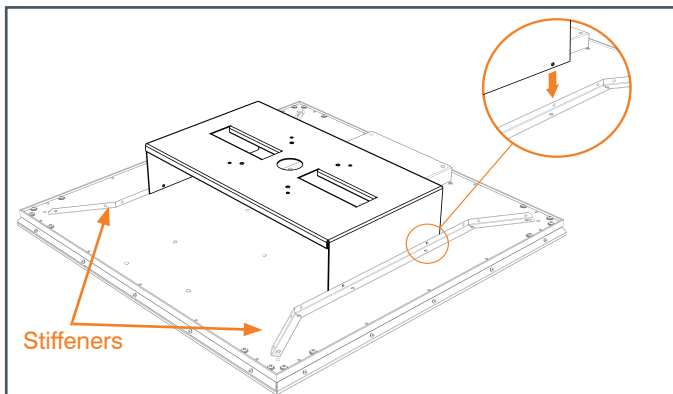
#### Caution!

- Install in accordance with all applicable local codes.
- Ensure that power is off before you attach the bracket.
- The installer is responsible for ensuring the following:
  - The BMA is firmly attached to sturdy support (studs, or other mounting hardware) to hold the weight of the BMA and its mounting hardware.
  - The ceiling structure can support five times the combined weight of all equipment. Before installing cables, reinforce ceiling structure as necessary.
  - Anchors are installed into structurally sound solid concrete with a minimum thickness of 1.75" (44.5mm). Installation into hollow concrete block, mortar, or concrete that exhibits cracking, spalling, or other defects may result in failure of anchor and serious personal injury or damage to equipment!
  - Anchors are installed into wood with a minimum thickness of 1.5" (38.1 mm).
- Failure to properly set anchor may result in failure of anchor and serious personal injury or damage to equipment!

To attach the VESA-Mount bracket to the back of a BMA, complete the following steps:

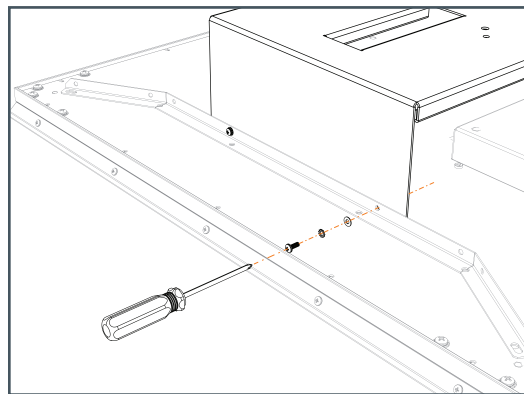
#### Step 1

Place the bracket in position with both of the BMA's stiffeners so the four holes align.

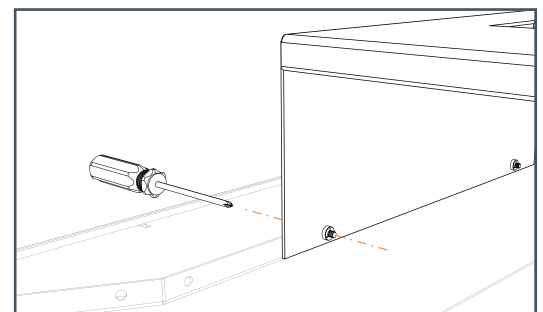


#### Step 2

With four sets of M3 screws and washers, use a screwdriver to attach the bracket to both stiffeners.



**Important!**  
Do not overtighten.



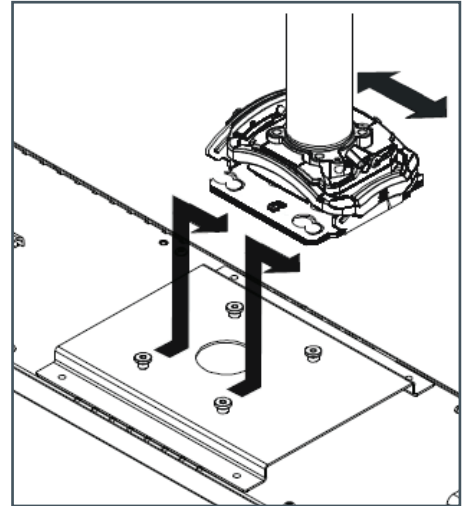
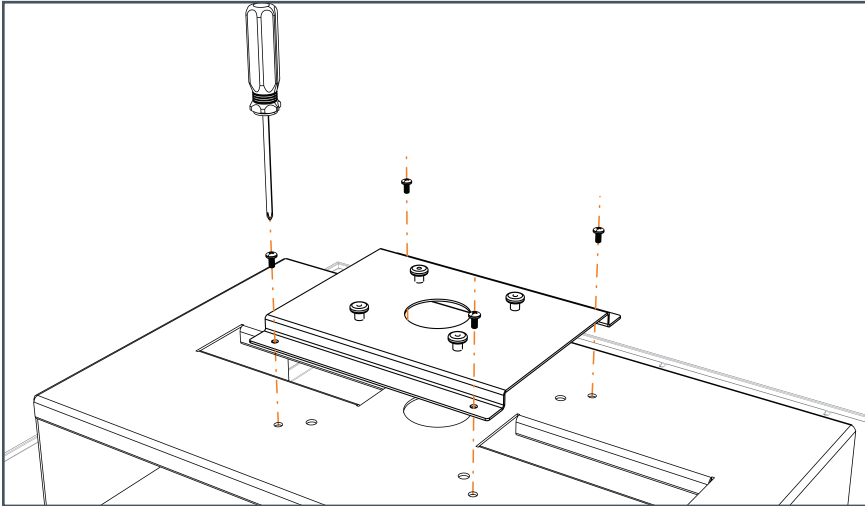
## Step 3 - Attach the BMA to a Mount

To connect a third party VESA mount, make sure that the mount supports a 100 mm x 100 mm hole pattern. Follow the installation instructions for that mounting system.

or

To attach a ClearOne BMA 2 ceiling mount, first use the remaining M3 components to attach the BMA2 interface plate to the VESA-Mount bracket.

Then attach the entire assembly to the BMA2 pole mount as shown in the illustration below from the BMA 2 Ceiling Mount Installation Guide.



The BMA 2 Ceiling Mount Installation Guide is available at:

[https://www.clearone.com/sites/default/files/2019-05/QSG\\_BMF2\\_Installation%20Guide.pdf](https://www.clearone.com/sites/default/files/2019-05/QSG_BMF2_Installation%20Guide.pdf)

or from the ClearOne Resource Library, [www.clearone.com/ri-home](http://www.clearone.com/ri-home)

In the search box, enter “BMF2 Ceiling”.

## Specifications

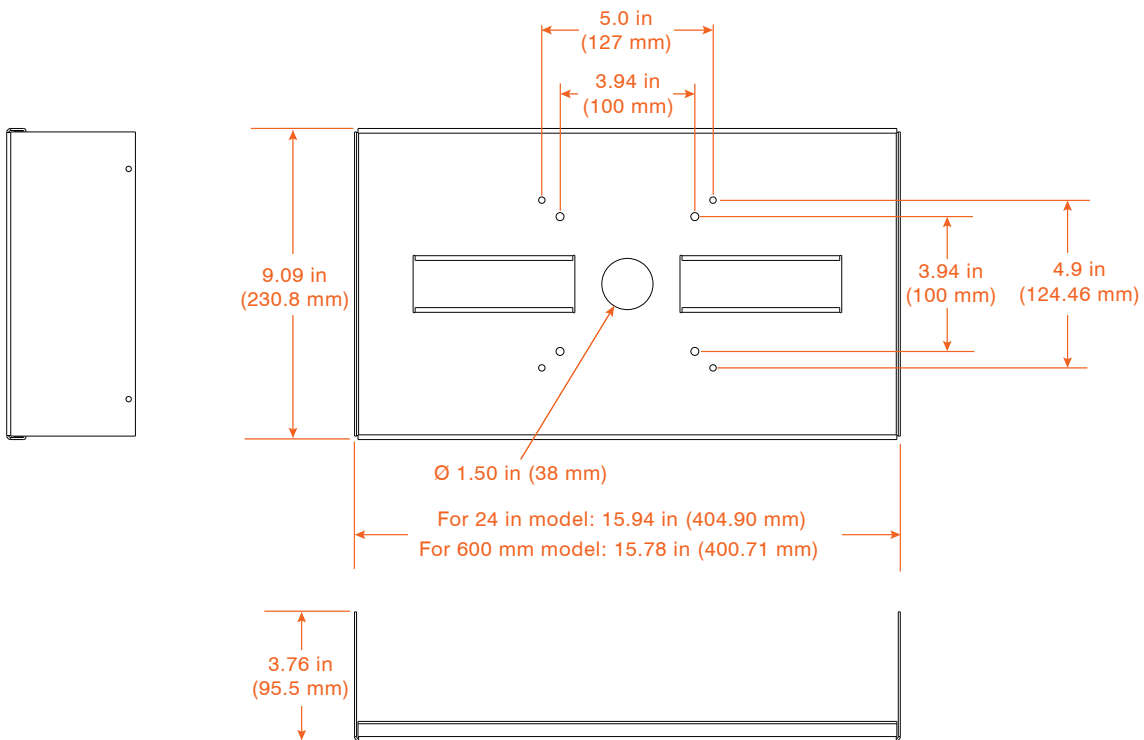
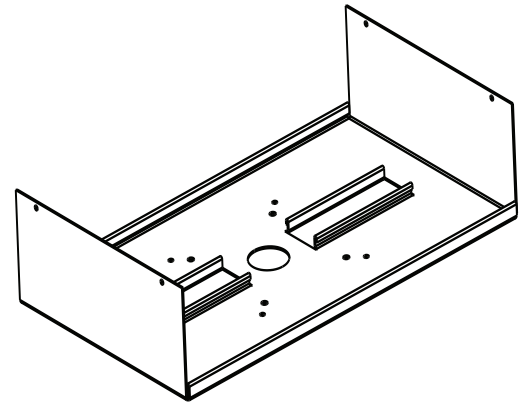
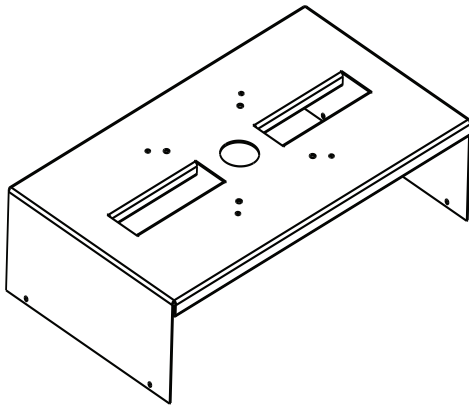
### Weight

- 24 inch: 1.37 lbs (619 grams)
- 600 mm: 1.27 lbs (575 grams)

**Material:** Aluminum

 **Note:** ClearOne makes no claim that the information contained herein covers all details, conditions or variations, nor does it provide for every possible contingency in connection with the installation or use of this product.

Dimensions



ClearOne Contacts

**Headquarters**  
 5225 Wiley Post Way  
 Suite 500  
 Salt Lake City, UT 84116  
[www.clearone.com](http://www.clearone.com)

**Sales**  
 Tel: 801.975.7200  
 e-mail: [sales@clearone.com](mailto:sales@clearone.com)

**US & Canada**  
 Tel: 801.975.7200  
 Fax: 801.303.5711

**Technical Support**  
 Tel: 801.974.3760  
 e-mail: [tech.support@clearone.com](mailto:tech.support@clearone.com)

**International**  
 Tel: +801.974.3621  
 e-mail: [global@clearone.com](mailto:global@clearone.com)