

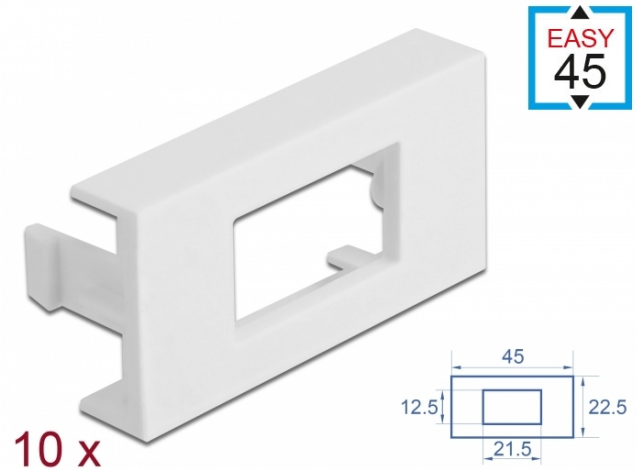
Delock Easy 45 Module Plate Rectangular cut-out 12.5 x 21.5 mm, 45 x 22.5 mm 10 pieces white

Description

This module plate by Delock is used to mount an optionally available HDMI or DisplayPort adapter. The simple snap-in mechanism ensures that the cover is firmly in place and can be easily changed if necessary.

Easy 45 connects

Easy 45 is a variable, modular system that allows components such as sockets, HDMI or USB connections to be added according to your needs. The Easy 45 modules are standardised and can be mounted in various module holder or cable ducts. Easy 45 builds the interface between electrical, network and system installation and many peripheral devices such as TV, monitors, printers, laptops and much more.



Specification

- Material: PC plastic
- Suitable for module holder Delock Easy 45
- Suitable for 45 mm cable duct with minimum depth 45 mm
- Module size: 22.5 x 45 mm
- Rectangular cut-out 12.5 x 21.5 mm
- Pitch of screw hole: ca. 23.5 mm
- Dimensions (LxWxH): ca. 45.0 x 22.5 x 22.0 mm
- Colour: white

System requirements

- A free module port Delock Easy 45 (22.5 x 45 mm)

Package content

- 10 x module plate

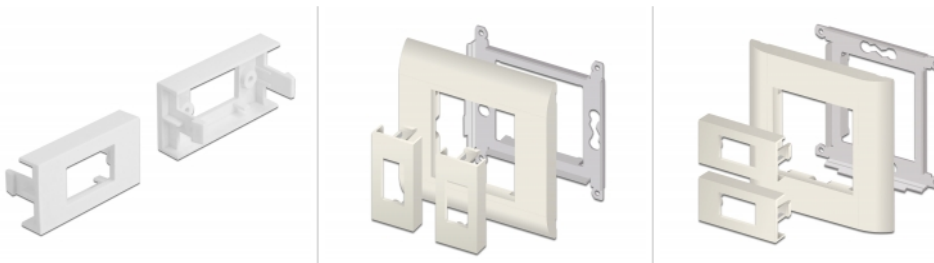
Item no. 81302

EAN: 4043619813025

Country of origin: Taiwan, Republic of China

Package: • Zip poly bag

Images



| General | |
|--------------------------|---------------|
| Mounting type: | Easy 45 |
| Physical characteristics | |
| Housing material: | Plastic |
| Length: | 22.0 mm |
| Width: | 22.5 mm |
| Height: | 45 mm |
| Colour: | RAL 9003 Weiß |