

# PTZOptics Webcam v2



## User Manual

**Model No: PT-WEBCAM-80-v2**

**V1.0**

**(English)**

Please check [PTZOPTICS.com](http://PTZOPTICS.com) for the most up to date version of this document

Rev 1.0 9/20

## Preface

Thank you for using the PTZOptics Webcam. This manual introduces the function, installation and operation of the camera. Prior to installation and usage, please read the manual thoroughly.

## Precautions

This product can only be used in the specified conditions in order to avoid any damage to the camera:

- Don't subject the camera to rain or moisture.
- Don't remove the plastic case. Removal of the case may result in an electric shock, in addition to voiding the warranty. In case of abnormal operation, contact the manufacturer.
- Never operate outside of the specified operating temperature range or humidity.
- Please use a soft dry cloth to clean the camera. If the camera is very dirty, clean it with diluted neutral detergent; do not use any type of solvents, which may damage the surface.

## Note

This equipment has been tested and found to comply with the limits for a Class A digital device, pursuant to part 15 of the FCC rules. This equipment generates, uses, and can radiate radio frequency energy that can cause interference with other radio frequency devices.

## Warranty

PTZOptics includes a limited parts & labor warranty for all PTZOptics manufactured cameras. Warranty lengths are shown below. The warranty is valid only if PTZOptics receives proper notice of such defects during the warranty period. PTZOptics, at its option, will repair or replace products that prove to be defective. PTZOptics manufactures its hardware products from parts and components that are new or equivalent to new in accordance with industry standard practices.

Serial Number	Warranty
J2E1231999 and before	3 year warranty
J2F0101001 and after	5 year warranty





Share Your Vision

---

## Table of Contents

<a href="#">Supplied Accessories</a> .....	1
<a href="#">Notes</a> .....	1
<a href="#">Quick Start</a> .....	2
<a href="#">Features</a> .....	2
<a href="#">Product Specifications</a> .....	3
<a href="#">Main Unit</a> .....	4
<a href="#">Dimensional Drawings</a> .....	5
<a href="#">Maintenance and Troubleshooting</a> .....	6

## Supplied Accessories

When you unpack your camera, check that all the supplied accessories are included:

- Camera..... 1
- Quick Start Guide ..... 1

## Notes

- **Electrical Safety**

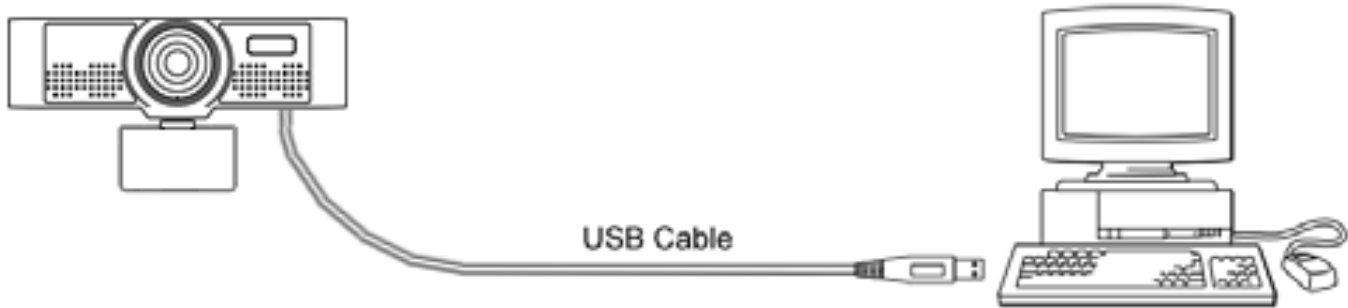
Installation and operation must be in accordance with national and local electric safety standards.

- **Handling**

- Avoid any stress, vibration, or moisture during transportation, storage, installation and operation.
- Do not expose camera to any corrosive solid, liquid, or gas to avoid damage to the cover which is made of a plastic material.
- **DO NOT DISMANTLE THE CAMERA** – The manufacturer is not responsible for any unauthorized modification or dismantling.

## Quick Start

Start by connecting the USB 2.0 cable to your Mac or PC to power on and access the camera. You can adjust the video settings using the Webcam v2 Configuration Tool available at [ptzoptics.com/downloads](http://ptzoptics.com/downloads).



## Features

1. Supports up to 1080p-30/25 fps with a wide 80° horizontal field of view.
2. Plug and play USB 2.0 video & audio connectivity.
3. Built in microphone array with unique noise reduction algorithm to accurately capture your voice from up to 12 feet away.
4. Wide Dynamic Range to deliver high quality video during various lighting environments.
5. Features a CMOS sensor with an advanced 2D/3D noise reduction algorithm, delivering ultra-high SNR for optimized noise reduction. 55dB SNR for clear video in low light environments.
6. EPTZ - Electronic Pan/Tilt/Zoom up to 8x
7. Webcam v2 Configuration Tool

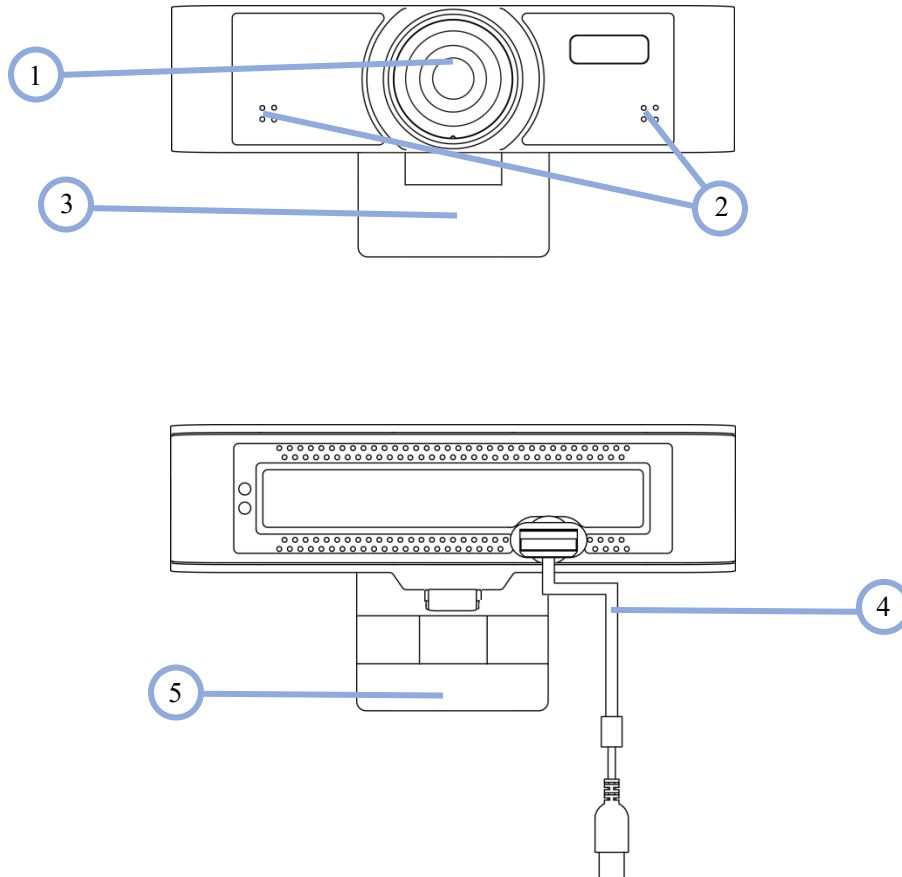


Share Your Vision

## Product Specifications

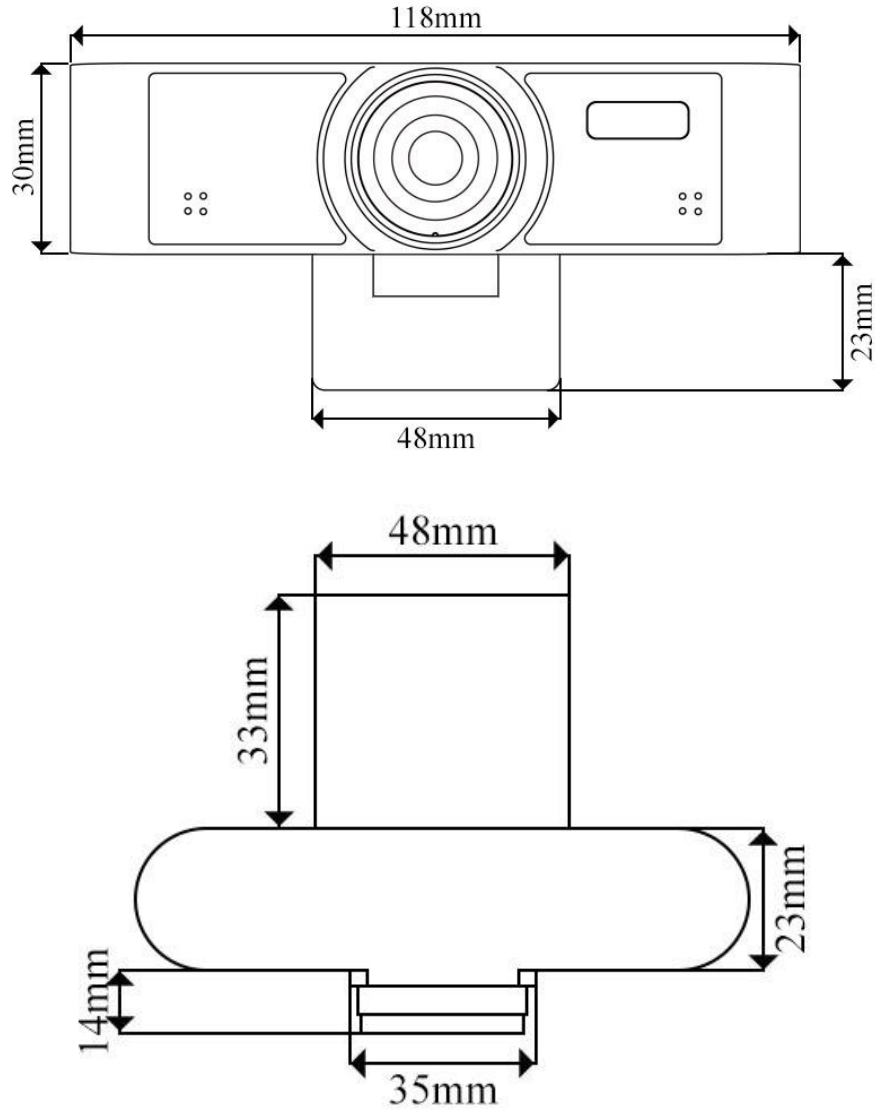
<b>Model</b>	PT-WEBCAM-80-v2
<b>Type</b>	PTZOptics Webcam
<b>Camera</b>	
Video System	1080p-30/25, 720p-30/25, 960x540p-30/25, 640x360p-30/25 50Hz: 1fps ~ 25fps, 60Hz: 1fps ~ 30fps
Sensor	1/2.7", CMOS, Effective Pixel: 2.07M
Scanning Mode	Progressive
Lens	F=3.5mm
Minimal Illumination	0.5 Lux @ (F2.0, AGC ON)
Camera Bracket	Bracket with damper, featuring a 1/4-20 tripod mount
Shutter	1/30s ~ 1/10000s
White Balance	Auto, Indoor, Outdoor, One Push, Manual
Backlight Compensation	Supported
Digital Noise Reduction	2D & 3D Digital Noise Reduction
Video S/N	≥ 55dB
Horizontal Field of View	80°
H & V flip	Supported
<b>Input/Output Interface</b>	
HD Output	1 x USB: Version 2.0
Audio Input	1 x Internal Microphone Array
<b>Generic Specification</b>	
Input Voltage	5V (USB Power Supply)
Operating Temperature	-10°C ~ 40°C (14°F ~ 104°F)
Storage Temperature	-40°C ~ 60°C (-40°F ~ 140°F)
Current Consumption	200mA
Power Consumption	1W (Max)
Size	4.6" W x 1.5" H x 1.2" D [118mm W x 37.2mm H x 30.8mm D]
Net Weight	0.35 lbs [0.16 kg]

## Main Unit



1. Wide Angle Camera lens
2. Microphone Array
3. Bracket with damper
4. Attached USB 2.0 cable
5. 1/4-20 mount (underneath)

## Dimensional Drawings (mm)





## Maintenance and Troubleshooting

### Camera Maintenance

- If the camera will not be used for a long time, please disconnect from PC.
- Use a soft cloth or lotion-free tissue to clean the camera body.
- Use a soft dry lint-free cloth to clean the lens. If the camera is very dirty, clean it with a diluted neutral detergent. Do not use any type of solvent or harsh detergent, which may damage the surface.

### Unqualified Applications

- Do not shoot extremely bright objects for a long period of time, such as sunlight, ultra-bright light sources, etc...
- Do not operate in unstable lighting conditions, otherwise the image may flicker.
- Do not operate close to powerful electromagnetic radiation, such as TV or radio transmitters, etc...

### Troubleshooting

- No image
  1. Check whether the USB cable is connected properly to the PC.
  2. Check whether the LED glows when USB is connected to the PC.
- Abnormal display of image
  1. Check settings of camera through the Webcam v2 Configuration Tool.
  2. Check settings of software you're viewing the video feed in.
- Image is shaky or vibrating.
  1. Check whether camera is mounted solidly or sitting on a steady horizontal and level surface.
  2. Check the building and any supporting furniture for vibration.

## Copyright Notice

The entire contents of this manual, whose copyright belongs to PTZOptics, may not be cloned, copied or translated in any way without the explicit permission of the company. Product specifications and information referred to in this document are for reference only and as such are subject to updating at any time without prior notice.