




VIDEOBAR VB1






Please read and keep all safety, security, and use instructions.

Important Safety Instructions

For more information about your Bose Videobar VB1 (including accessories and replacement parts), visit worldwide.Bose.com/support/VB1 or contact Bose customer service.

1. Read these instructions.
2. Keep these instructions.
3. Heed all warnings.
4. Follow all instructions.
5. Do not use this apparatus near water.
6. Clean only with a dry cloth.
7. Do not block any ventilation openings. Install in accordance with the manufacturer's instructions.
8. Do not install near any heat sources such as radiators, heat registers, stoves, or other apparatus (including amplifiers) that produce heat.
9. Protect the power cord from being walked on or pinched, particularly at plugs, convenience receptacles, and the point where it exits from the apparatus.
10. Only use attachments/accessories specified by the manufacturer.
11.  Use only with the cart, stand, tripod, bracket, or table specified by the manufacturer or sold with the apparatus. When a cart is used, use caution when moving the cart/apparatus combination to avoid injury from tip-over.
12. Unplug this apparatus during lightning storms or when unused for long periods of time.
13. Refer all servicing to qualified personnel. Servicing is required when the apparatus has been damaged in any way such as power-supply cord or plug is damaged, liquid has been spilled or objects have fallen into the apparatus, the apparatus has been exposed to rain or moisture, does not operate normally, or has been dropped.

WARNINGS/CAUTIONS

-  This symbol on the product means there is uninsulated, dangerous voltage within the product enclosure that may present a risk of electrical shock.
-  This symbol on the product means there are important operating and maintenance instructions in this guide.
-  Contains small parts which may be a choking hazard. Not suitable for children under age 3.
-  This product contains magnetic material. Consult your physician on whether this might affect your implantable medical device.
-  Use at altitude less than 2000 meters only.

All Bose products must be installed in accordance with local, state, federal and industry regulations. It is the installer's responsibility to ensure installation of the loudspeakers and mounting system is performed in accordance with all applicable codes, including local building codes and regulations. Consult the local authority having jurisdiction before installing this product.

When positioning the product, make sure it is not blocking any ventilation openings on your display. Refer to the owner's guide for your display and install it in accordance with the manufacturer's instructions.

Do NOT make unauthorized alterations to this product.

When replacement batteries are needed, use only AAA/LR03 alkaline batteries.

Batteries may cause a fire or chemical burn if mishandled. Do not recharge, disassemble, heat, or incinerate.

Keep batteries out of reach of children.

If a battery leaks, do not allow the liquid to come in contact with the skin or eyes. If contact is made, seek medical advice.

Do not expose products containing batteries to excessive heat (e.g. from storage in direct sunlight, fire or the like).

Only use the included hardware to mount this product.

Only for wall-mounting on the following surfaces: Wallboard $\geq \frac{3}{8}$ in (10 mm)

If mounted on surfaces other than stated above, please contact a professional installer.

The interconnect cables included with this system are not approved for in-wall installation. Please check your local building codes for the correct type of wire and cable required for in-wall installation.

Do not mount on surfaces that are not sturdy, or that have hazards concealed behind them, such as electrical wiring or plumbing.

Do NOT use in vehicles or boats.

Due to ventilation requirements, Bose does not recommend placing the product in a confined space such as in a wall cavity or in an enclosed cabinet.

Do not place or install the bracket or product near any heat sources, such as fireplaces, radiators, heat registers or other apparatus (including amplifiers) that produce heat.

Keep the product away from fire and heat sources. Do NOT place naked flame sources, such as lighted candles, on or near the product.

To reduce the risk of fire or electrical shock, do NOT expose the product to rain, liquids, or moisture.

Do NOT expose this product to dripping or splashing and do not place objects filled with liquids, such as vases, on or near the product.

This product is not intended for installation or use in indoor water facility areas (including, without limitation, indoor pools, indoor water parks, hot tub rooms, saunas, steam rooms and indoor skating rinks).

Do not mount the product in locations where condensation may occur.

Do NOT use a power inverter with this product.

Use this product only with the power supply provided.

Where the mains plug or an appliance coupler is used as the disconnect device, the disconnect device shall remain readily operable.

Regulatory Information

Dimensions (H × W × D): 48 × 659 × 102 mm (1.9 × 27.0 × 4.0 in)

Net Weight: 2.5 kg (5.6 lb)

Input Rating: 24 VDC $\overline{\text{---}}$, 1.875 A

This equipment should be installed and operated with a minimum distance of 20 cm between radiator and your body.

Shielded cables are required to maintain regulatory compliance

CAN ICES-3 (B)/NMB-3(B)

Information About Products That Generate Electrical Noise (FCC Compliance Notice for US)

NOTE: This equipment has been tested and found to comply with the limits for a Class B digital device, pursuant to Part 15 of the FCC Rules. These limits are designed to provide reasonable protection against harmful interference in a residential installation. This equipment generates, uses, and can radiate radio frequency energy and, if not installed and used in accordance with the instructions, may cause harmful interference to radio communications. However, there is no guarantee that interference will not occur in a particular installation. If this equipment does cause harmful interference to radio or television reception, which can be determined by turning the equipment off and on, the user is encouraged to try to correct the interference by one or more of the following measures:

Reorient or relocate the receiving antenna.

Increase the separation between the equipment and receiver.

Connect the equipment into an outlet on a circuit different from that to which the receiver is connected.

Consult the dealer or an experienced radio/TV technician for help.

Changes or modifications not expressly approved by Bose Corporation could void the user's authority to operate this equipment.

This device complies with part 15 of the FCC Rules and with ISED Canada's license-exempt RSS standard(s).


Operation is subject to the following two conditions: (1) This device may not cause harmful interference, and (2) this device must accept any interference received, including interference that may cause undesired operation.

Management Regulation for Low-power Radio-frequency Devices

Article XII: According to "Management Regulation for Low-power Radio-frequency Devices", without permission by the NCC, any company, enterprise, or user is not allowed to change frequency, enhance transmitting power, or alter original characteristics, as well as performance, to an approved low power radio-frequency device.

Article XIV: The low power radio-frequency devices shall not influence aircraft security and interfere with legal communications; If found, the user shall cease operating immediately until no interference is achieved. The said legal communications means radio communications in compliance with the Telecommunications Act.

The low power radio-frequency devices must be susceptible with the interference from legal communications or ISM radio wave radiated devices.

 Bose Corporation hereby declares that this product is in compliance with the essential requirements and other relevant provisions of Directive 2014/53/EU and all other applicable EU directive requirements. The complete declaration of conformity can be found at: www.Bose.com/compliance.

This device for operation in the 5150–5250 MHz is only for indoor use to reduce the potential for harmful interference to co-channel mobile satellite systems.

For Europe:

Frequency band of operation 2400 to 2483.5 MHz:


Bluetooth®/Wi-Fi: Maximum transmit power less than 20 dBm EIRP.

Bluetooth Low Energy: Maximum power spectral density less than 10 dBm/MHz EIRP.

Frequency bands of operation 5150 to 5350 MHz and 5470 to 5725 MHz:

Wi-Fi: Maximum transmit power less than 20 dBm EIRP.

This device is restricted to indoor use when operating in the 5150 to 5350 MHz frequency range in all EU Member States listed in the table.

	BE	DK	IE	UK	FR	CY	SK	HU	AT	SE	BG	DE	PT	EL
	HR	LV	LT	MT	PL	CZ	EE	FI	ES	IT	RO	LU	NL	SI



This symbol means the product must not be discarded as household waste, and should be delivered to an appropriate collection facility for recycling. Proper disposal and recycling helps protect natural resources, human health, and the environment. For more information on disposal and recycling of this product, contact your local municipality, disposal service, or the shop where you bought this product. Please dispose of used batteries properly, following any local regulations. Do not incinerate.



China Restriction of Hazardous Substances Table

Names and Contents of Toxic or Hazardous Substances or Elements						
Toxic or Hazardous Substances and Elements						
Part Name	Lead (Pb)	Mercury (Hg)	Cadmium (Cd)	Hexavalent (CR(VI))	Polybrominated Biphenyl (PBB)	Polybrominated diphenylether (PBDE)
PCBs	X	0	0	0	0	0
Metal Parts	X	0	0	0	0	0
Plastic Parts	0	0	0	0	0	0
Speakers	X	0	0	0	0	0
Cables	X	0	0	0	0	0
This table is prepared in accordance with the provisions of SJ/T 11364.						
O: Indicates that this toxic or hazardous substance contained in all of the homogeneous materials for this part is below the limit requirement of GB/T 26572.						
X: Indicates that this toxic or hazardous substance contained in at least one of the homogeneous materials used for this part is above the limit requirement of GB/T 26572.						

Taiwan Restriction of Hazardous Substances Table

Equipment name: Bose Videobar VBI Type designation: 433869						
Restricted substances and its chemical symbols						
Unit	Lead (Pb)	Mercury (Hg)	Cadmium (Cd)	Hexavalent chromium (Cr+6)	Polybrominated biphenyls (PBB)	Polybrominated diphenyl ethers (PBDE)
PCBs	-	o	o	o	o	o
Metal Parts	-	o	o	o	o	o
Plastic Parts	o	o	o	o	o	o
Speakers	-	o	o	o	o	o
Cables	-	o	o	o	o	o
Note 1: "o" indicates that the percentage content of the restricted substance does not exceed the percentage of reference value of presence.						
Note 2: The "-" indicates that the restricted substance corresponds to the exemption.						

Date of Manufacture: The eighth digit in the serial number indicates the year of manufacture; "1" is 2011 or 2021.

China Importer: Bose Electronics (Shanghai) Company Limited, Part C, Plant 9, No. 353 North Riyang Road, China (Shanghai) Pilot Free Trade Zone

EU Importer: Bose Products B.V., Gorslaan 60, 1441 RG Purmerend, The Netherlands

Mexico Importer: Bose de México, S. de R.L. de C.V., Paseo de las Palmas 405-204, Lomas de Chapultepec, 11000 México, D.F. Phone Number: +5255 (5202) 3545

Taiwan Importer: Bose Taiwan Branch, 9F-A1, No. 10, Section 3, Minsheng East Road, Taipei City 104, Taiwan. Phone Number: +886-2-2514 7676

Bose Corporation Headquarters: 1-877-230-5639

Product Power State Table

The product, in accordance with the Ecodesign Requirements for Energy Related Products Directive 2009/125/EC, is in compliance with the following norm(s) or document(s): Regulation (EC) No. 1275/2008, as amended by Regulation (EU) No. 801/2013.

Required Power State Information	Power Modes	
	Standby	Networked Standby
Power consumption in specified power mode, at 230 V/50 Hz input	≤ 0.5 W	Wi-Fi, Ethernet, <i>Bluetooth</i> ≤ 2.0 W
Time after which equipment is automatically switched into mode	≤ 2.5 hours	≤ 20 minutes
Power consumption in networked standby if all wired network ports are connected and all wireless network ports are activated, at 230 V/50 Hz input	≤ 2.0 W	≤ 2.0 W
Network port deactivation/activation procedures. Deactivating all networks will enable standby mode.	<p>Wi-Fi: Deactivate by restoring the factory default settings: Press and hold the Home and Autoframe buttons on the remote control simultaneously for 5 seconds, or press and hold the Mute and <i>Bluetooth</i> buttons on the side of the unit simultaneously for 5 seconds. Activate via Bose Work application.</p> <p>Ethernet: Deactivate by removing the Ethernet cable. Activate by inserting the Ethernet cable.</p> <p><i>Bluetooth:</i> Deactivate by restoring the factory default settings: Press and hold the Home and Autoframe buttons on the remote control simultaneously for 5 seconds, or press and hold the Mute and <i>Bluetooth</i> buttons on the side of the unit simultaneously for 5 seconds. Activate by pairing with a <i>Bluetooth</i> source.</p>	

External Power Supply Technical Information

The external power supply provided with the product, in accordance with the Ecodesign Requirements for Energy Related Products Directive 2009/125/EC, is in compliance with the following norms(s) or documents(s): Commission Regulation (EU) 2019/1782.

Manufacturer	Bose Products B.V.
Commercial registration number	36037901
Address	Gorslaan 60 1441 RG Purmerend The Netherlands
Model identifier	DT24V-1.8C-DC
Input voltage	100 V–240 V
Input AC frequency	50 Hz/60 Hz
Output voltage	24 VDC
Output current	1.9 A
Output power	45 W
Average active efficiency	89.9%
Efficiency at low load (10%)	87.0%
No-load power consumption	0.07 W

Licenses and Legal Information

Bose, Bose Work, and Videobar are trademarks of Bose Corporation.



DisplayLink® is the registered trademark of DisplayLink Corp. in the EU, the US, and other countries.



The terms HDMI and HDMI High-Definition Multimedia Interface, and the HDMI logo are trademarks or registered trademarks of HDMI Licensing Administrator, Inc.

Android and Google Play are trademarks of Google LLC.

The *Bluetooth*® word mark and logos are registered trademarks owned by Bluetooth SIG, Inc. and any use of such marks by Bose Corporation is under license.

macOS is a trademark of Apple Inc.

USB Type-C® and USB-C® are registered trademarks of USB Implementers Forum and are only intended for use with products based on and compliant with the USB Type-C® cable and connector specification.

Wi-Fi is a registered trademark of Wi-Fi Alliance®.

All other trademarks are the property of their respective owners.

To view the license disclosures that apply to the third-party software packages included as components of the Bose Videobar VBI:

Bose Videobar VBI: Download and open the **Bose Work** mobile application, tap the **Settings** icon, and then tap **End User License Agreement**.

Bose Work mobile application: Tap the **Settings** icon, and then tap **End User License Agreement**.

Bose Work Configuration application or WebUI: Click the **Settings** icon, and then click **End User License Agreement**.

Bose Work Management application: Click the menu (≡), click **About Bose Work Management**, and then click **End User License Agreement**.

The Bose Privacy Policy is available on the Bose website.

©2021 Bose Corporation. No part of this work may be reproduced, modified, distributed or otherwise used without prior written permission.

Please complete and retain for your records.

The serial and model numbers are located on the rear panel of the product.

Serial number: _____

Model number: _____

Warranty Information

This product is covered by a limited warranty.

For warranty details, visit pro.bose.com/warranty.

WHAT'S IN THE CARTON

Contents	10
----------------	----

SETUP

General Mounting Guidelines	12
Mounting the VB1 on a Table, Shelf, or Credenza	13
Wall-mounting the VB1	14
Camera Privacy Cover	19
Cable Connections	20
Cable Management	21

SOFTWARE APPLICATIONS

Bose Work Configuration App and WebUI	24
Bose Work Management App	26
Bose Work App	26

PRODUCT DETAILS

Panels	27
Front Panel	27
Side Panel	28
Rear Panel	29
Remote Control	30
Light Bar	31

OPERATION

Starting a Meeting 34

Adjusting the Camera 35

Resetting the Camera 35

Adjusting the Pan and Tilt Angles..... 35

Adjusting the Zoom Ratio 36

Saving and Recalling a Preset..... 36

Enabling/Disabling Autoframing 37

Managing Audio Levels 38

Local Audio Playback 38

Meeting Audio..... 38

Adjusting Audio Levels..... 38

Manage Bluetooth Devices 39

Pairing a Bluetooth Device with VB1..... 39

Disconnecting a Bluetooth Device from the VB1..... 39

Low-Power Modes 40

CARE AND MAINTENANCE

Clean the VB1..... 41

Replacement Parts and Accessories 41

Limited Warranty 41

Serial Number Locations..... 41

Restore the Factory Default Settings 42

Forgotten Password 42

Update the Software 42

TROUBLESHOOTING

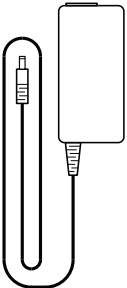
Try these solutions first. 43

WHAT'S IN THE CARTON

Contents



Bose Videobar VB1



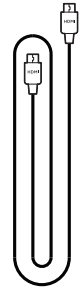
Power supply



Power cord



USB Type-C® cable



HDMI cable

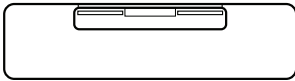
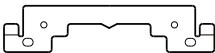



Table stand

A  Table stand screw (2)



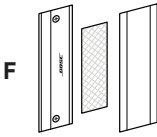
Wall-mount bracket

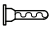
B  Large drywall anchor (4)

C  Drywall anchor pushpin

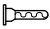
D  Pan-head screw (2)

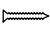
E  Flat-head screw (2)

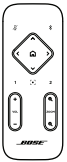


G  Small drywall anchor (2)

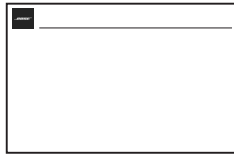
H  Small flathead screw (2)

J  Small drywall anchor

K  Small flathead screw



Remote control



Quick start guide



AAA/LR03 batteries (2)

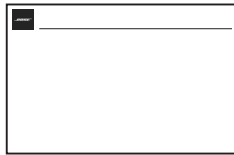
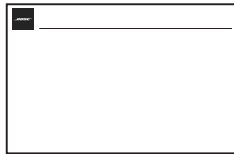


Table-mount setup guide



Camera privacy cover



Wall-mount setup guide



USB-C-to-A adapter



2-pin Euroblock connector



Safety instruction guide

SETUP

General Mounting Guidelines

Do NOT place the VB1 on its front, back or top when in use.

Do NOT place any objects on top of the VB1.

Avoid placing the VB1 near air conditioning vents, heaters or radiators, fans, or other sources of noise or vibrations.

To avoid wireless interference, keep other wireless equipment **0.3–0.9 m (1–3 ft)** away from the VB1. Place the VB1 outside and away from metal cabinets, other audio/video components and direct heat sources.

Make sure there is an AC (mains) outlet nearby.

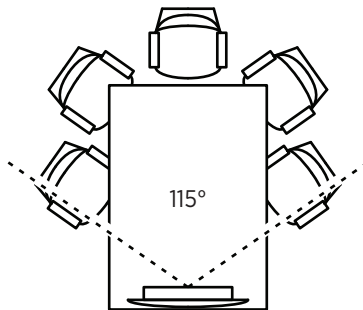
Place the VB1 directly below (preferred) or above your TV with the grille facing into the room.

For best sound quality, do NOT place the VB1 in an enclosed cabinet or diagonally in a corner.

Make sure the seating area of all meeting participants fits within the camera's field of view (FOV). All meeting participants must be in the FOV in order for the autoframing feature to work properly (see **Enabling/Disabling Autoframing (Page 37)**).

The FOV of the VB1 camera is 115° horizontal, 81° vertical.

Make sure the meeting room can be well lit during a meeting.

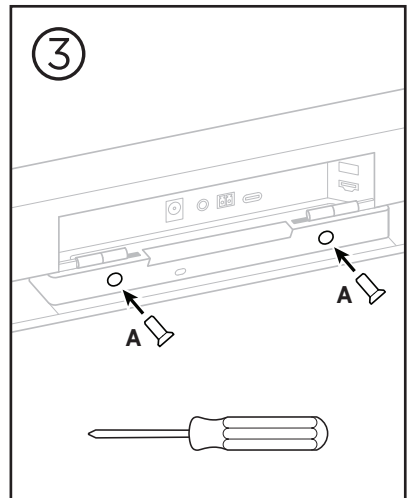
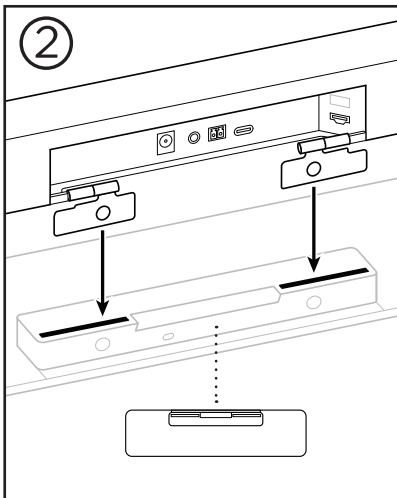
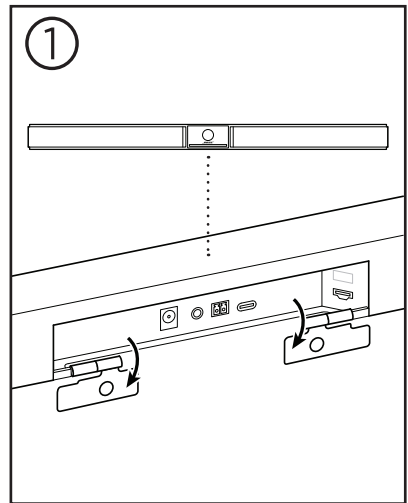
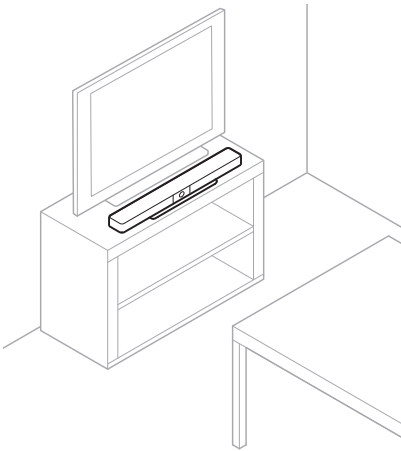


Mounting the VB1 on a Table, Shelf, or Credenza

For best performance, when setting up the VB1 on a table, shelf, credenza, etc., follow these recommendations:

Place the VB1 in its table stand on a stable and level surface.

Position the front of the VB1 so the supporting surface is not visible in the camera's image. Make sure the meeting room can be well lit during a meeting.



Wall-mounting the VB1

For best performance, follow these recommendations when setting up the VB1 on a wall:

When determining where to attach the wall-mount bracket to the wall, make sure there is enough space around the bracket to fit the VB1:

There must be at least **3.8 cm (1.5 in)** above the wall-mount bracket. This will allow you to “hang” the VB1 on it (Step 7) and to adjust the angle of the VB1. It will also provide enough space to access the rear-panel connections on the VB1.

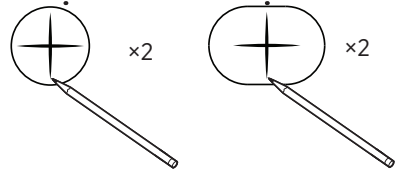
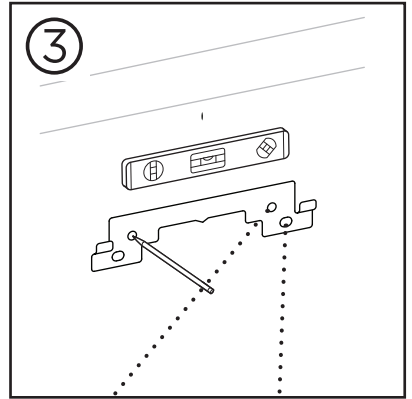
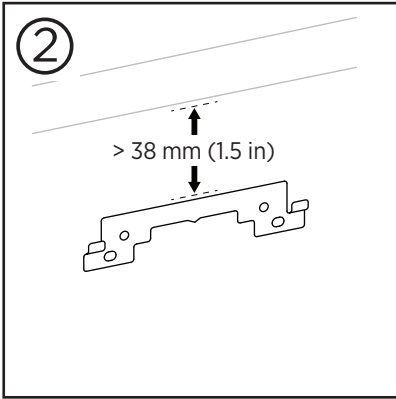
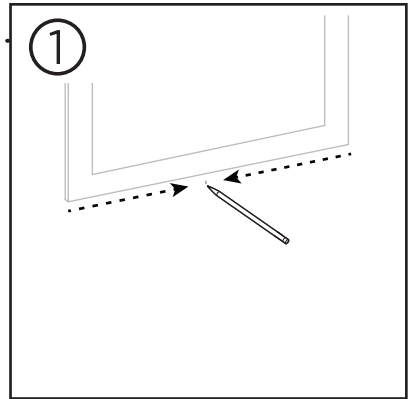
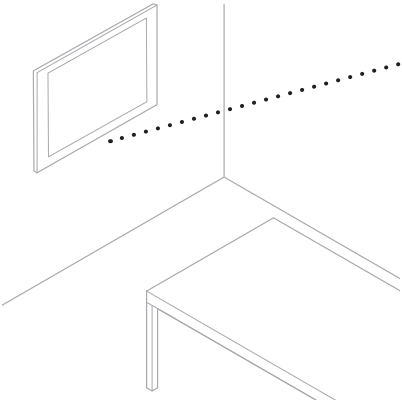
There must be at least **11.4 cm (4.5 in)** below the wall-mount bracket. This will allow you to hang the VB1 vertically during installation to insert cables and to adjust the angle of the VB1.

The space must be at least **73.7 cm (29.0 in)** wide—with the wall-mount bracket in the center of it. This is necessary to accommodate the VB1 plus space to access the acoustic port and buttons on the sides of the VB1 (there should be **2.5 cm (1.0 in)** on each side).

Only use the included hardware to mount this product.

Note: Some additional tools are required.

Note: Read the included Important Safety Instructions before continuing.



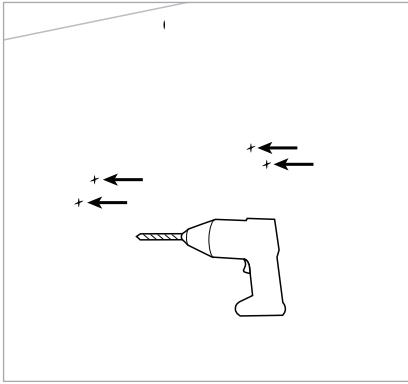
4

WARNINGS:



Do not mount on surfaces that are not sturdy, or that have hazards concealed behind them, such as electrical wiring or plumbing. If unsure, please contact a professional installer.

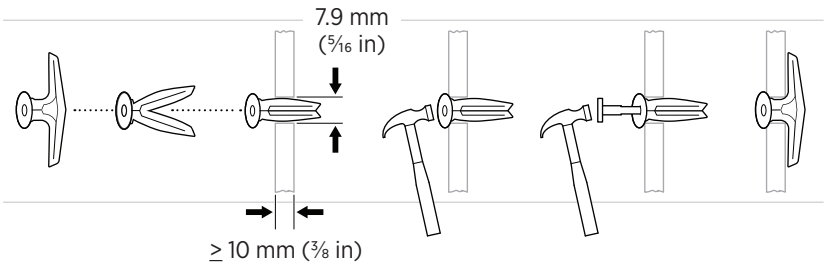
The included hardware is not suitable for masonry surfaces.



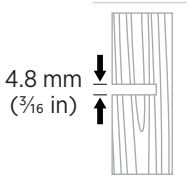
Wallboard
7.9 mm (5/16 in)

Wood stud/metal stud
4.8 mm (3/16 in)

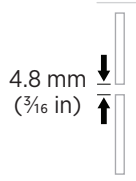
Wallboard

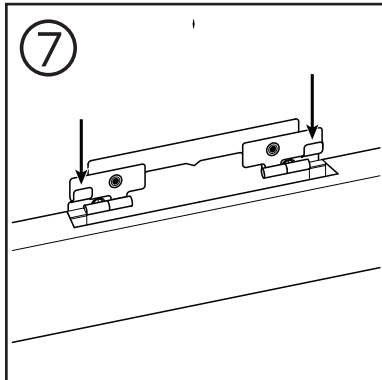
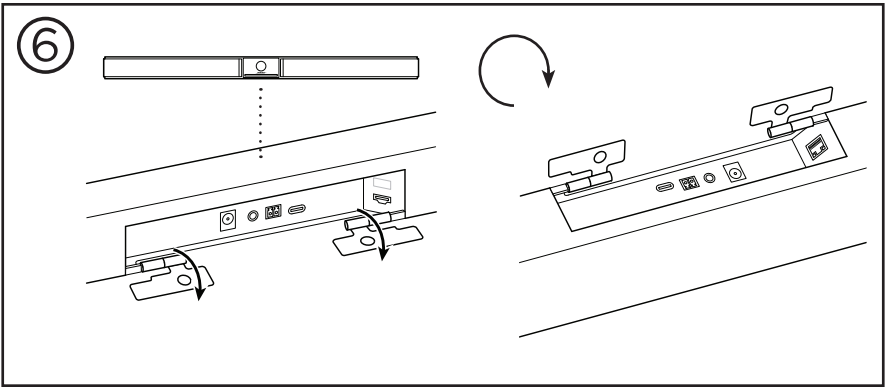
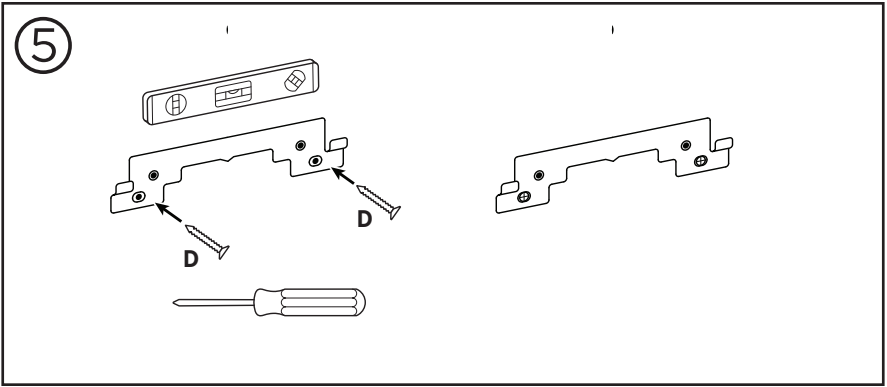


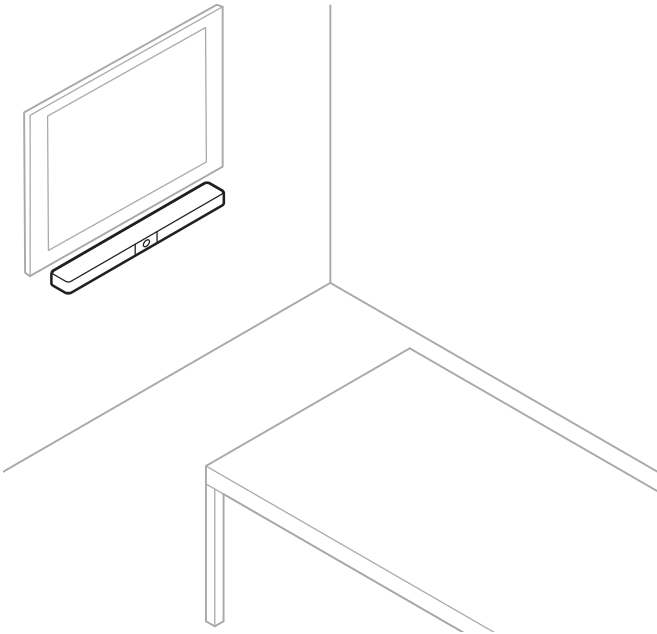
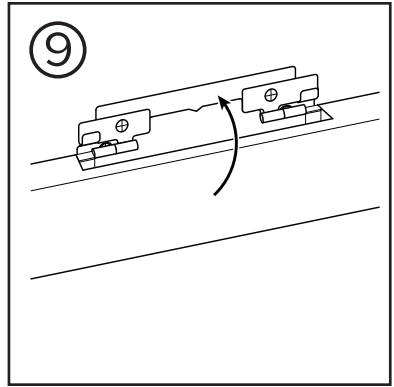
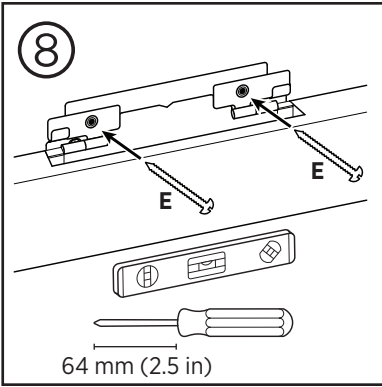
Wood stud



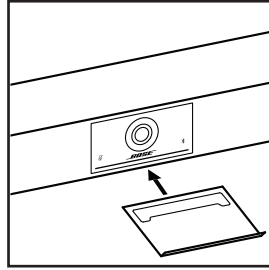
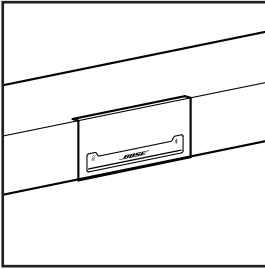
Metal stud







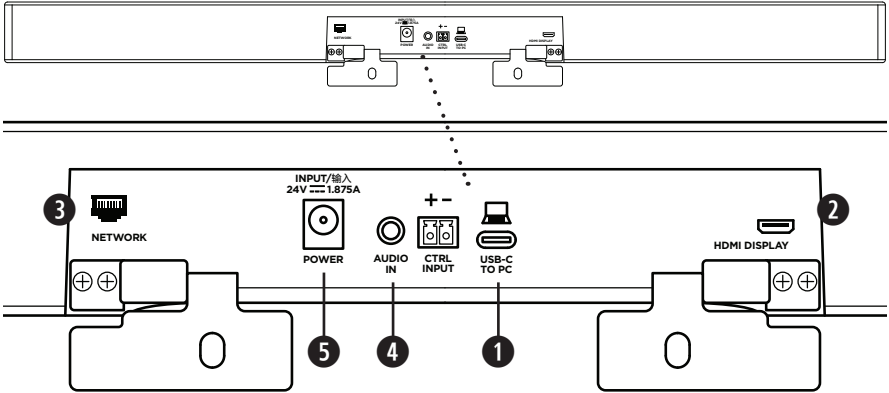
Camera Privacy Cover



The included camera privacy cover enables you to completely cover the camera's field of view without hiding the indicators and the light bar.

The cover is magnetic and will stay in place when mounted on the VB1 lens as shown. For storage when not in use, secure the cover to the bottom surface below the lens.

Cable Connections



1. Connect the included USB-C® cable to the **USB-C** port.

Leave the other end of this cable on the table, so the meeting host can easily connect or disconnect their computer each meeting.

Note: If a computer hosting a meeting has USB-A ports only, attach the included USB-C-to-A adapter to the computer end of the USB-C cable.

2. **Optional:** Use the included HDMI cable to connect the **HDMI Display** port to an HDMI port on a video display or monitor.

Note: The host computer must have the latest DisplayLink® driver installed, and the VB1 must have its DisplayLink setting enabled (disabled by default) for the HDMI output to function. Visit [displaylink.com/downloads](https://www.displaylink.com/downloads) to download the latest driver. Enable or disable the DisplayLink setting using the Bose Work Configuration app or WebUI or Bose Work Management app (see **Software Applications (Page 23)**).

3. **Optional:** If you will use the VB1 in a network, use a Cat 5 cable (not included) to connect the **Network** port to a port on a LAN port, a network switch, etc.
4. **Optional:** For auxiliary audio from an analog audio output on a display, connect a 3.5 mm (1/8 in) stereo cable (not included) to the **Audio In** jack

The pin-out configuration is:

1. Tip = Left audio in
2. Ring = Right audio in
3. Sleeve/Ring 2 = Ground



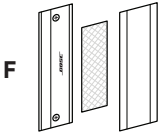
5. Connect the included power supply to the **Power** input.
6. Use the included power cable to connect the power supply to a power outlet. The VB1 will power on automatically when connected to a power source.

There are several software apps that enable you to configure the Bose Videobar VB1 for optimal performance. See **Software Applications (Page 23)** for more information.

If you need to use a USB extender, visit worldwide.bose.com/Support/VB1 for a list of recommended third-party USB extenders for use with VB1.

Cable Management

The included cable management cover can hold all permanent cabling in place against a wall.




G  Small drywall anchor (2)

H  Small flathead screw (2)

To install the cable management cover:

1. Place and hold the back of the cable cover **(F)** (the piece with the screw holes) against desired location on wall.
2. Mark the center of the two screw holes on wall, and remove the back of the cable cover.
3. If that part of the wall has a stud behind it, drill two **2.4 mm (3/32 in)** holes into the wall.
If that part of the wall has no stud behind it, drill two **5 mm (3/16 in)** holes into the wall.
4. If that part of the wall has no stud behind it, drive the two small drywall anchors **(G)** into the wall.
5. Align the back of the cable cover **(F)** with the screw holes.
6. Drive the two small flat-head screws **(H)** into the back of the cable cover to secure it to the wall.
7. Gather the cables and place along the “guide” of the back of the cable cover (on the wall).
8. Remove the adhesive strip from the cable cover foam **(F)**.
9. Firmly place the foam strip on the back of the cable cover, next to the gathered cables.
10. Place the front of the cable cover **(F)** over gathered cables and foam so it adheres.



J  Small drywall anchor

K  Small flathead screw

To fasten the power supply cord to the wall:

1. Determine where on the wall you want to fasten the power supply cord.
2. Mark a screw hole on wall.
3. If that part of the wall has a stud behind it, drill a **2.4 mm (3/32 in)** hole into the wall.
If that part of the wall has no stud behind it, drill a **5 mm (3/16 in)** hole into the wall.
4. If that part of the wall is has no stud behind it, drive the small drywall anchor (**J**) into the wall.
5. Align the eyelet of the cable tie (**I**) with the screw hole.
6. Drive the small flat-head screw (**H**) into the eyelet of the cable tie to secure it to the wall.

SOFTWARE APPLICATIONS

Three software applications enable you to configure the Bose Videobar VB1:

Use Bose Work Configuration software — available for Windows and macOS or via web browser — for device setup and configuration.

Features:

- Control camera: pan, tilt, zoom, presets, and autoframing

- Password-protected administration and configuration

- Install firmware updates, create and apply configuration profiles, enable or disable HDMI output (DisplayLink), adjust network, *Bluetooth*, and advanced camera settings, and more

- Notifies you if a Bose Work device software update is available

- Available for Windows and macOS or via web browser, which provides all the functionality of the desktop software over a network connection

Use Bose Work Management software for remote management, for single-device or enterprise-wide, multi-device changes, and to view device status in real time.

Features:

- See device status and control critical functions of all your Bose Videobar VB1 devices from a single location

- Schedule firmware updates to all or only selected devices

- View, edit, save parameters by device or group of devices

- Discover all devices on the network; create, save, and apply device profiles

- Available for Windows

The Bose Work mobile app allows anyone in the room to control the Bose Videobar VB1 with their smartphone — adjust volume, mute, pan, tilt, zoom, zoom presets, and *Bluetooth* pairing.

Features:

- Real-time control of volume, mute, pan, tilt, zoom, zoom presets, and *Bluetooth* pairing from your mobile device

- Uses *Bluetooth* pairing to discover and communicate with the Bose Videobar VB1

- Available for iOS and Android

Bose Work Configuration App and WebUI

To download and install the Bose Work Configuration app on your computer:

1. On your computer, visit pro.Bose.com/VB1LatestSW.
2. Download and install the **Bose Work Configuration Software** app.

To access and use the Bose Work Configuration app to configure the VB1:

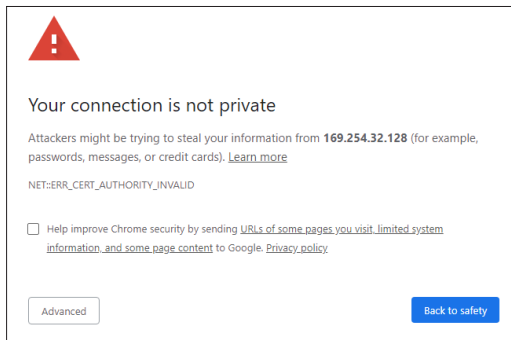
1. Connect your computer to the **USB-C** port on the VB1.
2. Open the **Bose Work Configuration** app.
3. To access the Administrator configuration settings to configure the VB1, Click the **Administrator** icon in the navigation panel and enter the factory default password: **Bose123!**

Note: We recommend changing the password after gaining access.

To access and use the browser-based Bose Work Configuration WebUI to configure the VB1 over a network connection:

1. Connect your computer and the VB1 to the same network.
2. Enter the IP address of the VB1 into the address bar of a web browser on your computer, and press **Enter**. (You can determine the IP address of the VB1 using the Bose Work Configuration app over USB or using the Bose Work Management app which automatically discovers VB1s on the network.) The Bose Work Configuration WebUI will open.

Note: On some browsers, you may see a security warning like this:



This is normal and not a security risk. Click **Advanced**. (If you are ever unsure about performing an operation on your computer, in a web browser, etc., check with your IT/system administrator first.)

You may then receive a follow-up message:

This server could not prove that it is **169.254.32.128**; its security certificate is not trusted by your computer's operating system. This may be caused by a misconfiguration or an attacker intercepting your connection.

[Proceed to 169.254.32.128 \(unsafe\)](#)

This is also normal. Click the **Proceed to...** link to proceed to the Bose Work Configuration WebUI login page.

The factory default administrator password is: **Bose123!**

Note: We recommend changing the password after gaining access.

To access the help file for the Bose Work Configuration app or WebUI, see the **Settings** page in the app or WebUI.

Bose Work Management App

To download the Bose Work Management software:

1. On your computer, visit pro.Bose.com/VB1LatestSW.
2. Download and install the **Bose Work Management** app.

To access and use the Bose Work Management app to configure one or more VB1s over a network connection:

1. Connect your computer and each VB1 to the same network.
2. Open the **Bose Work Management** app.

To access the help file for the Bose Work Management app, see the **About Bose Work Management** page in the app.

Bose Work App

The Bose Work App provides the functions of the infrared remote control conveniently on your mobile device. To download the Bose Work app:

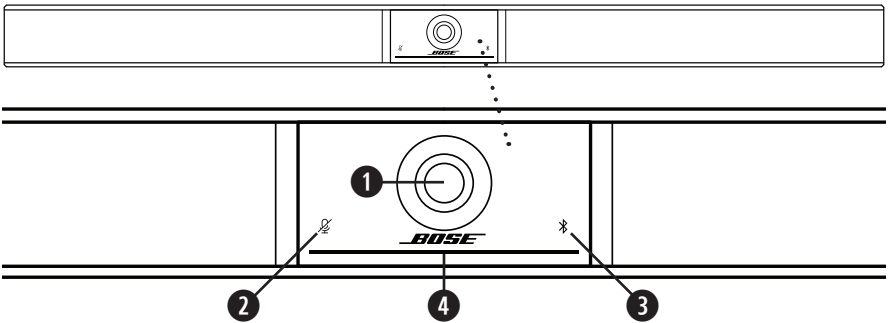
1. Search for and download the **Bose Work** app from the App StoreSM or Google PlayTM.
2. Open the app on your mobile device and enable location tracking.
3. On your mobile device, connect to **Bose Videobar VB1**.

To access the help file for the Bose Work app, see **Settings** page in the app.

PRODUCT DETAILS

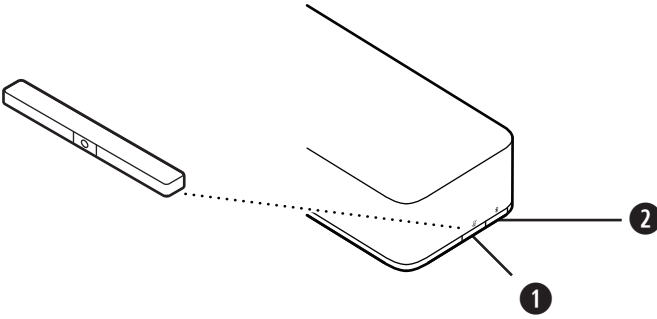
Panels

Front Panel



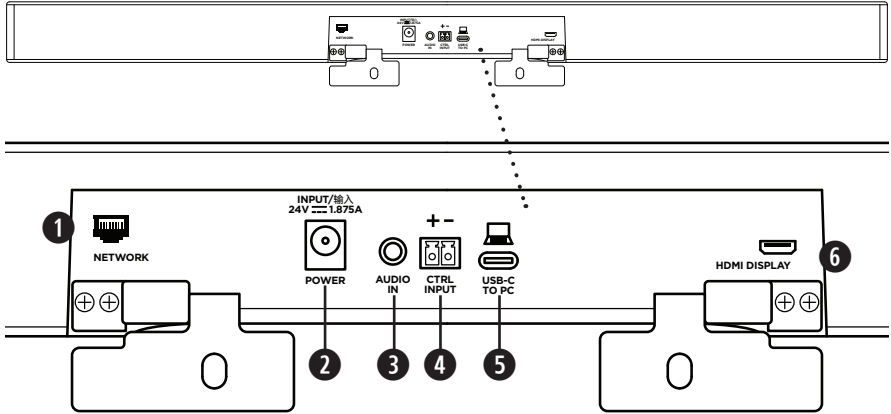
1. **Camera**
2. **Mute indicator:** This light illuminates red when the microphones are off.
3. **Bluetooth indicator:** This light indicates the current status of VB1 *Bluetooth* connectivity:
 - Slowly pulses blue:** The VB1 is available to pair to a *Bluetooth* mobile device.
 - Solid white:** The VB1 is connected to the Bose Work app or to a mobile device for calls and media.
 - Off:** No *Bluetooth* connectivity.
4. **Light bar:** See **Light Bar (Page 31)** to learn more about this.

Side Panel



1. **Mute button:** Press this button to mute or unmute the VB1 microphones.
2. **Bluetooth button:** Press and hold this button to enter pairing mode.

Rear Panel



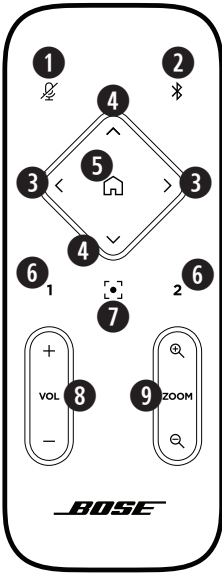
1. **Network:** Use this 1 Gbps RJ45 connection for configuration and/or monitoring. (This port is on the inner side of the rear panel.)
2. **Power:** Connect the included power supply.
3. **Audio In:** Use a 3.5 mm ($\frac{1}{8}$ in) stereo cable (not included) to connect to an optional audio source, such as the audio output from a connected monitor or display.
4. **Ctrl Input:** Use the port for mute override using the included 2-pin Euroblock connector. By default, this input is active low and includes an internal pull-up.
5. **USB-C:** Connect this port to the computer hosting the meeting.
6. **HDMI Display:** Use the included HDMI cable to connect this port to a display. (This port is on the inner side of the rear panel.)

Note: The host computer must have the latest DisplayLink® driver installed, and the VB1 must have its DisplayLink setting enabled (disabled by default) for the HDMI output to function. Visit displaylink.com/downloads to download the latest driver. Enable or disable the DisplayLink setting using the Bose Work Configuration app or WebUI or Bose Work Management app (see **Software Applications (Page 23)**).

Remote Control

The Bose Videobar VB1 includes an infrared remote control that enables you to adjust camera and volume settings, mute the microphones, and put the VB1 in *Bluetooth* pairing mode.

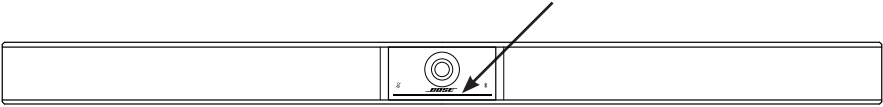
Note: All remote-control functions are also available in the software apps that enable you to configure the Bose Videobar VB1. See **Software Applications (Page 23)** for more information.

















1. **Mute:** Mute/unmute the VB1 microphones.
2. **Bluetooth:** Press and hold for 3 seconds to enter pairing mode. If already paired to a device, press and hold to disconnect.
3. **Camera Pan:** Press to pan the camera left and right (< or >), or press and hold for continuous adjustment.
4. **Camera Tilt:** Press to tilt the camera up and down (▲ or ▼), or press and hold for continuous adjustment.
5. **Home Preset:** Return Pan, Tilt, and Zoom (PTZ) camera settings to the Home position. The Home position can be changed in the Bose Work Configuration app.
6. **Presets 1 & 2:** Press to select Preset 1 or 2 for the camera. Press and hold to save the current Pan, Tilt, and Zoom (PTZ) camera settings as Preset 1 or 2.
7. **Autoframe:** Turn autoframing on/off. When on, the pan, tilt, and zoom (PTZ) camera settings will adjust automatically to include all participants in the field of view at all times.
8. **Volume:** Raise or lower volume (+ or -).
9. **Camera Zoom:** Increase or decrease (+ or -) the zoom ratio of the camera.




Light Bar

The light bar is located under the camera of the VBI.



Appearance	Activity	System State
	A small section of lights in the center of the light bar is lit solid white.	Powered on and “awake.”
	All lights are lit solid white.	Meeting is active. Camera is off.
	The center light is lit solid green, while the surrounding lights are lit solid white.	Meeting is active. Camera is on with autoframing off.
	A small section of lights in the center of the light bar is lit solid green, while the surrounding lights are lit solid white.	Meeting is active. Camera is on with autoframing on.
	A small section of lights in the center of the light bar is lit solid green, while the surrounding lights are off.	Camera is on. No active meeting.
	The leftmost light on the light bar blinks once (white/on if there is no active call; off if there is an active call).	The volume has been lowered by one increment.
	The rightmost light on the light bar blinks once (white/on if there is no active call; off if there is an active call).	The volume has been raised by one increment.

Appearance	Activity	System State
	A small bar of lights on the leftmost end of the light bar blinks once (white/on if there is no active call; off if there is an active call).	The volume has been set to its lowest level.
	A small bar of lights on the rightmost end of the light bar blinks once (white/on if there is no active call; off if there is an active call).	The volume has been set to its highest level.
	A small section of lights in the center of the light bar is blinking white rapidly.	The VB1 is searching for a Wi-Fi network.
	A small section of lights in the center of the light bar pulses white once and then fades off.	The VB1 has connected to a Wi-Fi network. This also means the VB1 has detected a new audio source connected to the host USB port or Audio In.
	A small section of lights in the center of the light bar is solid red.	The VB1 is not functioning properly due to a firmware/software issue. Please contact Bose technical support.
	A small section of lights in the center of the light bar are blinking amber.	The VB1 is not functioning properly due to a connection issue. Make sure the VB1 is connected to a network.
	White lights move repeatedly between the right and left ends.	The VB1 is downloading and installing a firmware update. Do not disconnect the VB1 from its power outlet or network. When the update is complete, the light bar will stop moving, and the VB1 will play an audio tone.

Appearance	Activity	System State
	<p>A small section of lights in the center of the light bar pulses white repeatedly. The lights then move outward from the center until the whole light bar is lit solid white. The lights turn off in the same pattern.</p>	<p>The VBI is restarting after restoring its factory default settings.</p>
	<p>A small section of lights in the center of the light bar pulses white repeatedly.</p>	<p>The VBI is restarting after a power outage.</p>
	<p>A small section of lights in the center of the light bar pulses purple repeatedly.</p>	<p>The Bose Work Management app is sending an “Identify Device” message to the VBI.</p>

OPERATION

Starting a Meeting

Note: The host computer must have the latest DisplayLink® driver installed, and the VB1 must have its DisplayLink setting enabled (disabled by default) for the HDMI output to function. Visit displaylink.com/downloads to download the latest driver. Enable or disable the DisplayLink setting using the Bose Work Configuration app or WebUI or Bose Work Management app (see **Software Applications (Page 23)**).

To start a meeting using the VB1:

1. Connect the included USB cable between the VB1 and your computer. Use the included USB C-to-A adapter, if needed.
2. Start the meeting in your preferred meeting software.
3. In the device settings of your meeting software, select **Bose Videobar VB1** as the device for the microphone, speakers, and camera.

To make a call using the VB1 as a speakerphone:

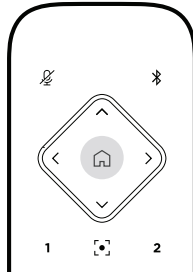
1. Press the **Bluetooth** button on the side of the VB1 (or press and hold the *Bluetooth* button on the remote control for 3 seconds) to put the VB1 into pairing mode.
2. On your mobile device, scan for available *Bluetooth* devices and select the VB1.
3. Make a call from your mobile device. The audio will be automatically routed from your mobile device to the VB1 speakers and microphones.

Adjusting the Camera

Note: All remote-control functions are also available in the software apps that enable you to configure the Bose Videobar VB1. See **Software Applications (Page 23)** for more information.

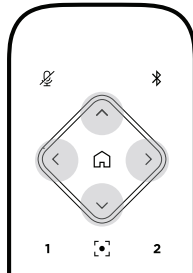
Tip: For quick and simple adjustments to the camera settings, we recommend using the Bose Work app on your mobile device. See **Bose Work App (Page 26)**.

Resetting the Camera



To return the camera to its default pan, tilt, and zoom settings, press the **Home** button on the remote control.

Adjusting the Pan and Tilt Angles



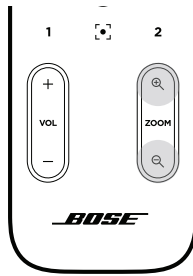
Note: You can adjust the pan and tilt angles only if the camera is not fully zoomed out.

To adjust the pan (left-right) angle of the camera, press one of the camera pan buttons (< or >) on the remote control.

To adjust the tilt (up-down) angle of the camera, press one of the camera tilt buttons (▲ or ▼) on the remote control.

Press a button once to adjust the camera in increments, or press and hold it for continuous adjustment.

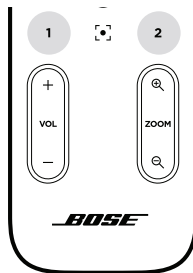
Adjusting the Zoom Ratio



To adjust the zoom ratio of the camera, press one of the **Zoom** buttons (+ or -) on the remote control.

Press a button once to adjust the camera in increments, or press and hold it for continuous adjustment.

Saving and Recalling a Preset



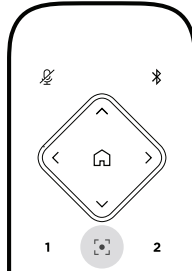
You can save the camera's pan, tilt, and zoom settings to a preset: Preset 1 or Preset 2. When you recall a saved preset, the camera will immediately return to the saved pan, tilt, and zoom settings.

To save a preset:

1. Adjust the pan, tilt, and zoom settings as desired.
2. Press and hold the desired preset button on the remote control (**Preset 1** or **Preset 2**) for 3 seconds. The camera settings will be saved to that preset.

To recall a saved preset, press the desired preset button on the remote control (**Preset 1** or **Preset 2**). The camera will immediately change the pan, tilt, and zoom settings to those saved to that preset.

Enabling/Disabling Autoframing



To enable or disable the camera's autoframing feature, press the **Autoframe** button on the remote control.

When enabled, the camera will automatically and continuously adjust the pan, tilt, and zoom settings to include all participants in the room in the field of view.

Note: Adjusting the pan, tilt, or zoom settings or selecting **Home**, **Preset 1**, or **Preset 2** will automatically disable autoframing.

When disabled, adjust the camera's pan-tilt-zoom (PTZ) settings manually.

Managing Audio Levels

The Bose Videobar VB1 has four audio inputs: its microphones, USB audio, *Bluetooth* audio, and the analog input (**Audio In** jack).

The VB1 also has three audio outputs: its speakers, USB audio, and *Bluetooth* audio.

The real-time levels of all of these signals except for the **Audio In** jack can be seen in the **Meters** tab of the Bose Work Configuration app/WebUI.

Local Audio Playback

Music or audio over the USB, *Bluetooth*, or analog inputs are played back through the VB1 speakers. This audio is not sent to the far end during meetings.

Meeting Audio

The VB1 microphone audio is sent to the far end (via the USB output) after the Acoustic Echo Cancellation (AEC) feature.

If local audio playback is sent over the USB input, it will play over the VB1 speakers, but the AEC feature will remove the music from the VB1 microphone audio pick-up before sending it to the far end.

If you wish to send local audio playback to the far end, share the audio playback app within your meeting software.

Adjusting Audio Levels

The VB1 has two volume controls: for the VB1 speakers and for the analog input (**Audio In**) gain.

To adjust the volume of the VB1 speakers, use the **Volume +** or **-** buttons on the remote control, adjust the volume of the host computer, or adjust the volume of the *Bluetooth* audio. These three volume levels are always synchronized, so adjusting one of them adjusts the others as well.

Note: All remote-control functions are also available in the software apps that enable you to configure the Bose Videobar VB1. See **Software Applications (Page 23)** for more information.

If needed, adjust the **Analog Input Gain** to trim the signal sent into the **Audio In** jack so it matches the nominal levels from the host computer and *Bluetooth* audio. You can do this in the Bose Work Configuration app or WebUI or in the Bose Work Management app (see **Software Applications (Page 23)**).

Manage *Bluetooth* Devices

The VB1 can be paired with one *Bluetooth* device at a time. For instance, it cannot be paired with one device using the Bose Work app and another device for calls or audio playback.

Pairing a *Bluetooth* Device with VB1

The Bose Work app pairs your *Bluetooth* device with the VB1 using *Bluetooth* Low Energy (BLE). The app will automatically “discover” VB1s nearby.

To pair a *Bluetooth* device with the VB1 using the Bose Work app, open the app and select the desired VB1. The *Bluetooth* indicator on the front panel of the VB1 will light solid white when connected. (See **Bose Work App (Page 26)** for more information.)

To pair a *Bluetooth* device for calls or audio playback:

1. Press the ***Bluetooth*** button on the side of the VB1 (or press and hold the *Bluetooth* button on the remote control for 3 seconds) to put the VB1 in its pairing mode. The *Bluetooth* indicator on the front panel of the VB1 will blink blue.
2. On your *Bluetooth* device, scan for other available *Bluetooth* devices and select the VB1. The *Bluetooth* indicator on the front panel of the VB1 will light solid white when connected.

Disconnecting a *Bluetooth* Device from the VB1

The VB1 will not automatically reconnect to a previously paired *Bluetooth* device. Once the *Bluetooth* connection is lost (due to distance, intentional disconnection, pairing of another device, etc.), you will need to follow the steps to pair again.

To disconnect a *Bluetooth* device from the VB1, do one of the following:

Disable the *Bluetooth* connection on your mobile device.

Press the ***Bluetooth*** button on the side of the VB1.

Press and hold the ***Bluetooth*** button on the remote control for 3 seconds.

Low-Power Modes

Some countries' energy regulations require products like the VB1 to enter a low-power mode when not in use to save energy. You can disable (or re-enable) this feature in the VB1 by using the Bose Work Configuration app or WebUI or the Bose Work Management app (see **Software Applications (Page 23)**).

The low-power mode of the VB1 is actually two stages: a **standby** mode and a **low-power standby** mode.

If the low-power mode is enabled, the VB1 will enter the standby mode after 18 minutes of inactivity. After 2 more hours of inactivity, it will enter the low-power standby mode. In both modes, the light bar on the front of the VB1 will be off.

If the low-power mode is disabled, both of these modes are also disabled.

Certain actions or commands can prevent the VB1 from entering its standby mode, "wake" the VB1 from its standby mode (returning it to normal operation), or "wake" the VB1 from its low-power standby mode (returning it to normal operation).

Action or Command		Prevents the VB1 from entering its standby mode.	"Wakes" the VB1 from its standby mode.	"Wakes" the VB1 from its low-power standby mode.
Button press	Mute or Bluetooth button on the side of the VB1	✓	✓	✓
	Any button on the remote control	✓	✓	✓
USB	Connecting device to USB-C port		✓	✓
	Communication from Bose Work Configuration app or WebUI	✓		
	Audio playback	✓	✓	
Bluetooth	Active connection	✓	✓	
	Audio playback	✓	✓	
Wi-Fi or Ethernet	Communication from Bose Work Configuration app or WebUI	✓	✓	
	Communication from Bose Work Management app	✓	✓	
HDMI Display	Computer connected to HDMI Display port with DisplayLink enabled	✓	✓	
Audio In	Audio playback	✓	✓	

CARE AND MAINTENANCE

Clean the VB1

The VB1 may require periodic cleaning.

Wipe the outside surfaces with a soft, dry cloth.

Do NOT allow moisture to get inside the grille or any cable/wire connections.

Replacement Parts and Accessories

Replacement parts and accessories can be ordered through Bose customer service.

Visit: worldwide.bose.com/Support/VB1

Limited Warranty

The Bose Videobar VB1 is covered by a limited warranty. Visit our website at pro.bose.com/warranty for details of the limited warranty.

To register your product, visit global.bose.com/register for instructions. Failure to register will not affect your limited warranty rights.

Serial Number Locations

The serial and model numbers are located on the rear panel of the product.

You can also view the serial number in the Bose Work configuration app or WebUI or in the Bose Work management app (see **Software Applications (Page 23)**).

Restore the Factory Default Settings

Restoring the factory default settings will do the following:

Clear the list of *Bluetooth* devices paired to the VB1.

Clear the camera presets (Preset 1 and Preset 2).

Return all camera, microphone, and speaker settings to their default values. (Many of these settings are configured in the Bose Work Configuration software or Management software.)

Reset the administrator password to **Bose123!**

Note: We recommend changing the password after resetting it.

To restore all settings of the VB1 to their factory defaults, do one of the following:

On the remote control, press and hold the **Home** button and **Autoframe** button simultaneously for 5 seconds.

On the side of the VB1, press and hold the **Mute** button and **Bluetooth** button simultaneously for 5 seconds.

A small bar of lights in the center of the light bar will pulse white repeatedly. The lights will then move outward from the center until the whole light bar is lit solid white. The lights turn off in the same pattern. When this process is completed, the VB1 will restart with its factory default settings.

Forgotten Password

If you have forgotten the password to access the Administrator configuration settings, you must restore the factory default settings to reset the password (see **Restore the Factory Default Settings (Page 42)**).

Note: We recommend changing the password after resetting it.

Update the Software

You can use the Bose Work Configuration app and Bose Work Management app to check for and install VB1 firmware updates. See **Software Applications (Page 23)** to learn how to download and access these software apps.

If you are using the **Bose Work Configuration WebUI** to configure the VB1, you may not be able to automatically check or update the firmware from the online Bose server unless your computer is also connected to Internet.

If you cannot access firmware updates while using the WebUI, do one of the following instead:

Use the **Bose Work Configuration app**.

Use the **Bose Work Management app**.

Download the firmware file directly to your computer, and then use the **Bose Work Configuration WebUI** to update the firmware as if it were a previous version.

TROUBLESHOOTING

Try these solutions first.

If you experience problems with the VB1, try these solutions first:

Make sure the VB1 is connected to power.

Make sure any cables connected to the rear panel are securely connected. See **Cable Connections (Page 20)**.

Check the status indicators. See **Front Panel (Page 27)**.

Make sure your mobile device supports *Bluetooth* connections.

Check for available VB1 software updates. See **Update the Software (Page 42)**.

Move your *Bluetooth* device closer to the VB1 and away from any interference or obstructions.

Adjust the volume on the VB1, computer, *Bluetooth* device, or any other audio sources. See **Managing Audio Levels (Page 38)**.

If you could not resolve your issue, see the table below to identify symptoms and solutions to common problems. If you are unable to resolve your issue, contact Bose customer service.

Visit: worldwide.bose.com/contact

Problem	What to Do
I hear music but my PC is not connected.	Check if the <i>Bluetooth</i> indicator is lit solid white. If so, someone's <i>Bluetooth</i> device may already be paired with the VB1. Press the Bluetooth button on the side of the VB1 to disconnect it.
The sound is too quiet or not audible at all.	The volume may be too low. Raise the volume using: <ul style="list-style-type: none"> the VB1 remote control your <i>Bluetooth</i> mobile device (if you are using one) your meeting software (speaker volume) If you still hear no sound, make sure Bose Videobar VB1 is selected as the speaker in your meeting software.
The sound is distorted.	The volume may be too high. Lower the volume using: <ul style="list-style-type: none"> the VB1 remote control your <i>Bluetooth</i> mobile device (if you are using one) your meeting software (speaker volume)

Problem	What to Do
<p>Adjusting the volume on my computer has no effect on the volume of the VB1.</p>	<p>Your computer may not have the VB1 selected as the default audio playback device (even if your meeting software is working properly with the VB1).</p> <p>Windows: Click the speaker icon in the system tray (in the taskbar) and select Bose Videobar VB1 as the playback device.</p> <p>macOS: Click the Apple icon in the upper-left corner of the screen, and select System Preferences, click Sound, and then click Output. Select Bose Videobar VB1 in the list of devices.</p>
<p>The volume level of my computer or mobile device changed suddenly when I connected my computer or mobile device to the VB1.</p>	<p>This is normal. The VB1 automatically synchronizes the volume level of all devices when they connect to it.</p>
<p>Bose Videobar VB1 is not listed as a microphone, speaker, or camera in my meeting software.</p>	<p>Wait approximately 30 seconds for your computer to register the VB1 as a microphone, speaker, and camera device.</p> <p>If this still does not work, try the following solutions:</p> <ul style="list-style-type: none"> Make sure the USB cable is connected securely to your computer. Try connecting to a different USB port on your computer. Make sure the VB1 is powered on (connected securely to its power outlet). Make sure the USB cable is connected securely to the USB-C port on the rear panel of the VB1. Try using a shorter USB cable.
<p>My meeting software is displaying a message that the video is not working or cannot start.</p>	<p>This is usually caused when the Bose Work Configuration app or another unified communications client is already using and controlling the camera. Close the other app that is using the video.</p>
<p>When I try to connect to the VB1 using the Bose Work Configuration WebUI, my browser displays a security warning.</p>	<p>This is normal as the VB1 does not provide a security certificate based on a dynamically allocated IP address. See Bose Work Configuration App and WebUI (Page 24) for specific instructions. (If you are ever unsure about performing an operation on your computer, in a web browser, etc., check with your IT/system administrator first.)</p>

Problem	What to Do
There is no video image on the second display (from the HDMI Display port).	<p>Try the following solutions:</p> <p>Make sure the display is powered on.</p> <p>Make sure the display has its input/source set to the HDMI port that is connected to the VB1.</p> <p>Make sure the HDMI cable is securely connected to the VB1 and to the display.</p> <p>Make sure your computer has the latest DisplayLink driver installed (displaylink.com/downloads).</p> <p>Make sure your computer is set to “extend” to a second display (rather than to “mirror” or “duplicate” it).</p> <p>Ensure the DisplayLink setting is enabled in the Bose Work Configuration software.</p>
My computer detects the VB1 as a second display even when it is not connected to the HDMI Display port.	Make sure your computer is set to “mirror” or “duplicate” its display (rather than to “extend” it to a second display).
The video image on the second display (from the HDMI Display port) is out of sync with the audio signal.	Lower the resolution of the video display in the display settings on your computer.
The video image on the second display (from the HDMI Display port) is distorted.	Make sure you are using a Bose-supplied cable or a certified USB cable. Also make sure the cable is not damaged or kinked.
The camera zooms in or out even when I am not manually adjusting it.	<p>The camera’s autoframing feature may be enabled. Press the Autoframe button on the remote control to disable it.</p> <p>Some meeting software apps have built-in autoframing, which may be cropping the image or changing the camera zoom ratio. If possible, disable this feature in your meeting software.</p>
The <i>Bluetooth</i> indicator is blinking blue.	This is normal. This indicates the VB1 is in <i>Bluetooth</i> pairing mode (The <i>Bluetooth</i> button on the side of the VB1 or on the remote control may have been accidentally pressed.)
The <i>Bluetooth</i> indicator is lit solid white.	This is normal. This indicates the VB1 is connected to a <i>Bluetooth</i> mobile device for music or calls or to the Bose Work app.

Problem	What to Do
The light bar is on.	If the whole light bar is lit, then there is an active meeting. If only a small section of lights is on, then there is no active meeting. The VB1 is simply powered on. See Light Bar (Page 31) for more information.
A small section of lights in the center of the light bar is lit solid green.	This is normal. This indicates the VB1 camera is on. (If the other lights in the light bar are solid white, then there is an active meeting. If the other lights in the light bar are off, then there is no active meeting.)



868554-0010