

Checklist for laser illuminated RG3 projector installations performed in the USA

Checklist can be filled out electronically or can be printed and filled out manually.

Reporter

Date of report	
Name of reporter	

Installer information

Installing company		
Address		
Phone		
Email contact		
The installer confirms to be a valid laser show variance holder	<input type="checkbox"/> YES	▼ Variance No. ▼
OR	<input type="checkbox"/> YES	▼ Authority name ▼
The installer confirms to be trained and authorized (e.g. by Barco NV)		▼ Authority Variance No. if not Barco ▼

NOTE: If the end user intends to change the installation, the end user shall be a laser light show variance holder or shall be trained and authorized by a laser light show variance holder.

Installers' on-site representative responsible for safety and compliance

Name	
Title	
Phone	

Venue information

Permanent installation (e.g. cinema theatre) or temporary installation (e.g. show, gig)	<input type="checkbox"/> PERMANENT <input type="checkbox"/> TEMPORARY
Name of venue	
Room number (if applicable)	
Address	
Phone	
Email	

Safety Officer, Person responsible for safety of show and operator

Name	
Title	
Phone	
Email	

Training and documentation provided to Operator/Owner

Training on the safe operation and maintenance	<input type="checkbox"/> PASS
FDA/CDRH installation requirements – Any modifications must be approved	<input type="checkbox"/> PASS

Checklist for laser illuminated RG3 projector installations performed in the USA

List of state, local, and other agencies notified if applicable for RG3 installations

A	
B	
C	
D	

Projectors in scope of this registration form

Per projector a Details Projector form page must be filled in this registration document! (see following pages)

Total number of projectors included in this registration form:	
---	--

Signatures

Installer's signature

Name:	
Date:	

Signature

Safety officer/ Owner signature

Name:	
Date:	

Signature

!!! In case the installer is not a laser light show variance holder then this installation checklist must be completed after the installation and sent to pvg@barco.com !!!

Checklist for laser illuminated RG3 projector installations performed in the USA

Details Projector 1.

Projector information

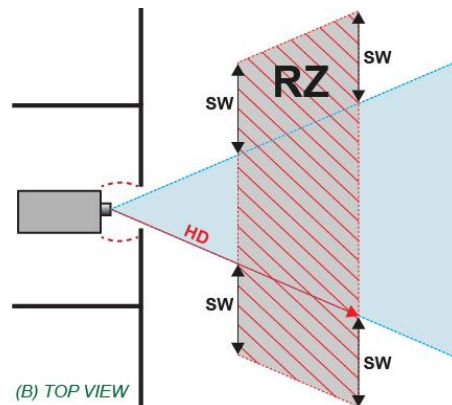
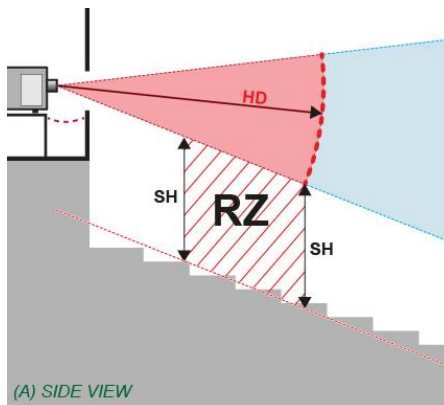
Manufacturer	Barco NV	
Model		
Serial Number		
Manufacturing date		
Laser Hazard Classification	<input type="checkbox"/> CLASS 1 RG3 <input type="checkbox"/> CLASS 2 RG3 <input type="checkbox"/> OTHER CLASS → CLASS:	

Projector and restricted access area inspected

Projector securely mounted	<input type="checkbox"/> PASS
Projector housing is assembled properly	<input type="checkbox"/> PASS
Restricted access area and RG3 product warning signs provided	<input type="checkbox"/> PASS
Readily accessible control provided to immediately terminate projection light (e.g. mains switch, circuit breaker)	<input type="checkbox"/> PASS
Restricted access control implemented (including physical means e.g. key, pass code)	<input type="checkbox"/> PASS

Clearance distances confirmed

The Hazard Distance (HD) is confirmed to be	<input type="checkbox"/> Meter <input type="checkbox"/> Foot
How high is the lower part of the projected beam above floor level where audience is permitted to stand (=Separation Height SH)	<input type="checkbox"/> Meter <input type="checkbox"/> Foot
If applicable: How wide is the lateral distance between the projected beam from where audience is permitted to stand (=Separation Width SW)	<input type="checkbox"/> Meter <input type="checkbox"/> Foot



The installer confirms that the Restriction Zone (RZ) is respected	<input type="checkbox"/> YES <input type="checkbox"/> NO
---	---

Checklist for laser illuminated RG3 projector installations performed in the USA

Details Projector 2.

Projector information

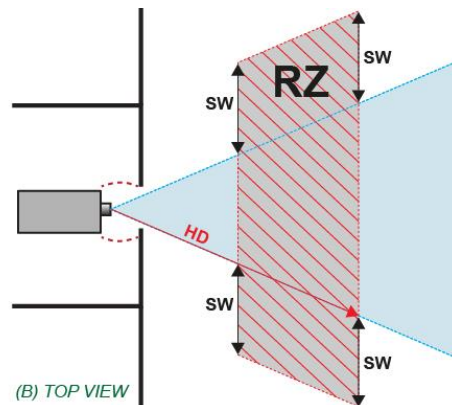
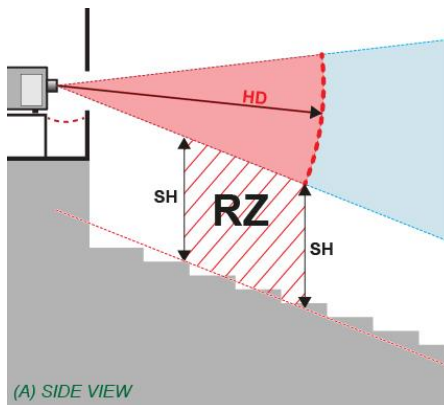
Manufacturer	Barco NV	
Model		
Serial Number		
Manufacturing date		
Laser Hazard Classification	<input type="checkbox"/> CLASS 1 RG3 <input type="checkbox"/> CLASS 2 RG3 <input type="checkbox"/> OTHER CLASS → CLASS:	

Projector and restricted access area inspected

Projector securely mounted	<input type="checkbox"/> PASS
Projector housing is assembled properly	<input type="checkbox"/> PASS
Restricted access area and RG3 product warning signs provided	<input type="checkbox"/> PASS
Readily accessible control provided to immediately terminate projection light (e.g. mains switch, circuit breaker)	<input type="checkbox"/> PASS
Restricted access control implemented (including physical means e.g. key, pass code)	<input type="checkbox"/> PASS

Clearance distances confirmed

The Hazard Distance (HD) is confirmed to be	<input type="checkbox"/> Meter <input type="checkbox"/> Foot
How high is the lower part of the projected beam above floor level where audience is permitted to stand (=Separation Height SH)	<input type="checkbox"/> Meter <input type="checkbox"/> Foot
If applicable: How wide is the lateral distance between the projected beam from where audience is permitted to stand (=Separation Width SW)	<input type="checkbox"/> Meter <input type="checkbox"/> Foot



The installer confirms that the Restriction Zone (RZ) is respected	<input type="checkbox"/> YES <input type="checkbox"/> NO
---	---

Checklist for laser illuminated RG3 projector installations performed in the USA

Details Projector 3.

Projector information

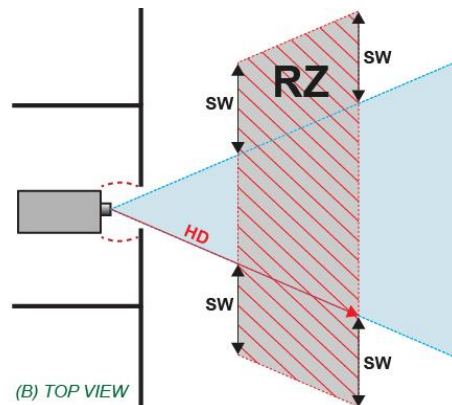
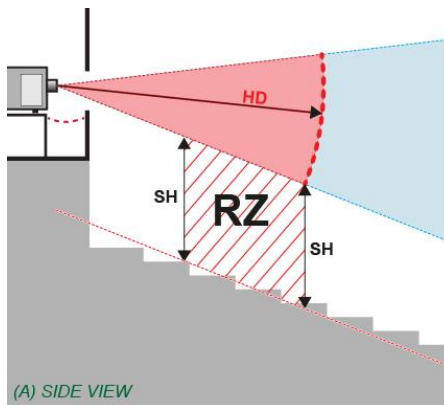
Manufacturer	Barco NV	
Model		
Serial Number		
Manufacturing date		
Laser Hazard Classification	<input type="checkbox"/> CLASS 1 RG3 <input type="checkbox"/> CLASS 2 RG3 <input type="checkbox"/> OTHER CLASS → CLASS:	

Projector and restricted access area inspected

Projector securely mounted	<input type="checkbox"/> PASS
Projector housing is assembled properly	<input type="checkbox"/> PASS
Restricted access area and RG3 product warning signs provided	<input type="checkbox"/> PASS
Readily accessible control provided to immediately terminate projection light (e.g. mains switch, circuit breaker)	<input type="checkbox"/> PASS
Restricted access control implemented (including physical means e.g. key, pass code)	<input type="checkbox"/> PASS

Clearance distances confirmed

The Hazard Distance (HD) is confirmed to be	<input type="checkbox"/> Meter <input type="checkbox"/> Foot
How high is the lower part of the projected beam above floor level where audience is permitted to stand (=Separation Height SH)	<input type="checkbox"/> Meter <input type="checkbox"/> Foot
If applicable: How wide is the lateral distance between the projected beam from where audience is permitted to stand (=Separation Width SW)	<input type="checkbox"/> Meter <input type="checkbox"/> Foot



The installer confirms that the Restriction Zone (RZ) is respected	<input type="checkbox"/> YES <input type="checkbox"/> NO
---	---

Checklist for laser illuminated RG3 projector installations performed in the USA

Details Projector 4.

Projector information

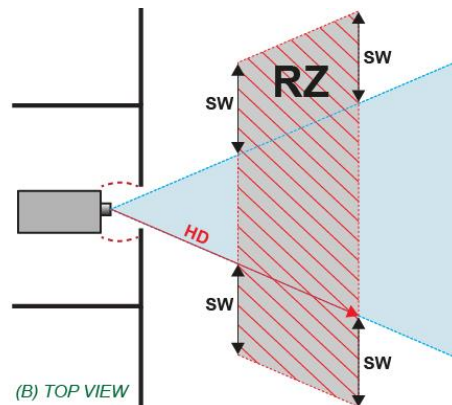
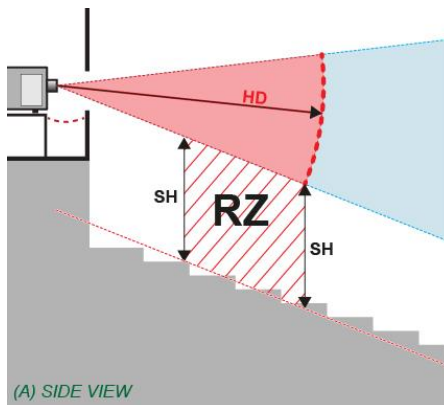
Manufacturer	Barco NV	
Model		
Serial Number		
Manufacturing date		
Laser Hazard Classification	<input type="checkbox"/> CLASS 1 RG3 <input type="checkbox"/> CLASS 2 RG3 <input type="checkbox"/> OTHER CLASS → CLASS:	

Projector and restricted access area inspected

Projector securely mounted	<input type="checkbox"/> PASS
Projector housing is assembled properly	<input type="checkbox"/> PASS
Restricted access area and RG3 product warning signs provided	<input type="checkbox"/> PASS
Readily accessible control provided to immediately terminate projection light (e.g. mains switch, circuit breaker)	<input type="checkbox"/> PASS
Restricted access control implemented (including physical means e.g. key, pass code)	<input type="checkbox"/> PASS

Clearance distances confirmed

The Hazard Distance (HD) is confirmed to be	<input type="checkbox"/> Meter <input type="checkbox"/> Foot
How high is the lower part of the projected beam above floor level where audience is permitted to stand (=Separation Height SH)	<input type="checkbox"/> Meter <input type="checkbox"/> Foot
If applicable: How wide is the lateral distance between the projected beam from where audience is permitted to stand (=Separation Width SW)	<input type="checkbox"/> Meter <input type="checkbox"/> Foot



The installer confirms that the Restriction Zone (RZ) is respected	<input type="checkbox"/> YES <input type="checkbox"/> NO
---	---

Checklist for laser illuminated RG3 projector installations performed in the USA

Details Projector 5.

Projector information

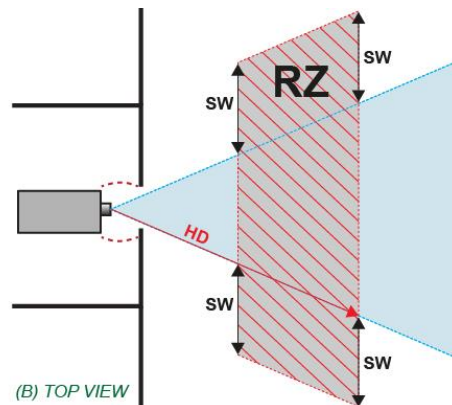
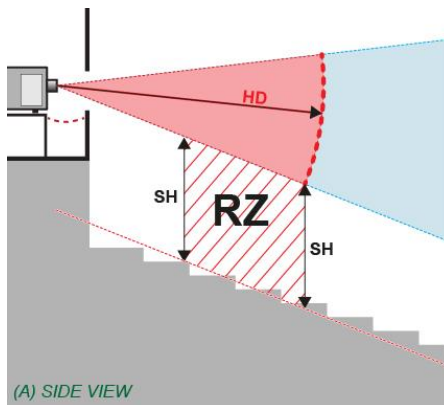
Manufacturer	Barco NV	
Model		
Serial Number		
Manufacturing date		
Laser Hazard Classification	<input type="checkbox"/> CLASS 1 RG3 <input type="checkbox"/> CLASS 2 RG3 <input type="checkbox"/> OTHER CLASS → CLASS:	

Projector and restricted access area inspected

Projector securely mounted	<input type="checkbox"/> PASS
Projector housing is assembled properly	<input type="checkbox"/> PASS
Restricted access area and RG3 product warning signs provided	<input type="checkbox"/> PASS
Readily accessible control provided to immediately terminate projection light (e.g. mains switch, circuit breaker)	<input type="checkbox"/> PASS
Restricted access control implemented (including physical means e.g. key, pass code)	<input type="checkbox"/> PASS

Clearance distances confirmed

The Hazard Distance (HD) is confirmed to be	<input type="checkbox"/> Meter <input type="checkbox"/> Foot
How high is the lower part of the projected beam above floor level where audience is permitted to stand (=Separation Height SH)	<input type="checkbox"/> Meter <input type="checkbox"/> Foot
If applicable: How wide is the lateral distance between the projected beam from where audience is permitted to stand (=Separation Width SW)	<input type="checkbox"/> Meter <input type="checkbox"/> Foot



The installer confirms that the Restriction Zone (RZ) is respected	<input type="checkbox"/> YES <input type="checkbox"/> NO
---	---

Checklist for laser illuminated RG3 projector installations performed in the USA

Details Projector 6.

Projector information

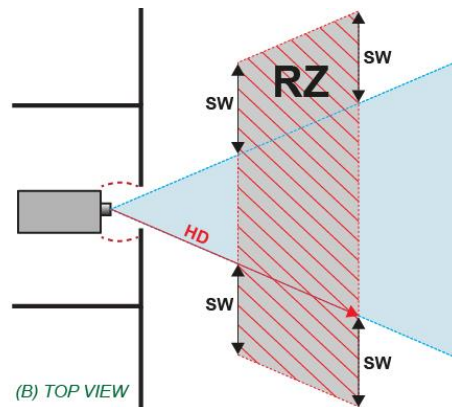
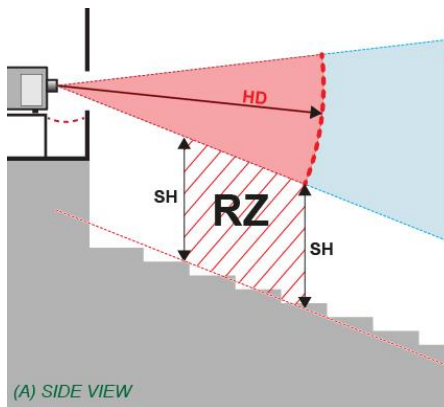
Manufacturer	Barco NV	
Model		
Serial Number		
Manufacturing date		
Laser Hazard Classification	<input type="checkbox"/> CLASS 1 RG3 <input type="checkbox"/> CLASS 2 RG3 <input type="checkbox"/> OTHER CLASS → CLASS:	

Projector and restricted access area inspected

Projector securely mounted	<input type="checkbox"/> PASS
Projector housing is assembled properly	<input type="checkbox"/> PASS
Restricted access area and RG3 product warning signs provided	<input type="checkbox"/> PASS
Readily accessible control provided to immediately terminate projection light (e.g. mains switch, circuit breaker)	<input type="checkbox"/> PASS
Restricted access control implemented (including physical means e.g. key, pass code)	<input type="checkbox"/> PASS

Clearance distances confirmed

The Hazard Distance (HD) is confirmed to be	<input type="checkbox"/> Meter <input type="checkbox"/> Foot
How high is the lower part of the projected beam above floor level where audience is permitted to stand (=Separation Height SH)	<input type="checkbox"/> Meter <input type="checkbox"/> Foot
If applicable: How wide is the lateral distance between the projected beam from where audience is permitted to stand (=Separation Width SW)	<input type="checkbox"/> Meter <input type="checkbox"/> Foot



The installer confirms that the Restriction Zone (RZ) is respected	<input type="checkbox"/> YES <input type="checkbox"/> NO
---	---

Checklist for laser illuminated RG3 projector installations performed in the USA

Details Projector 7.

Projector information

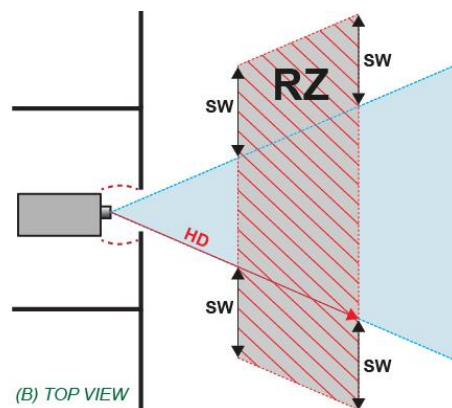
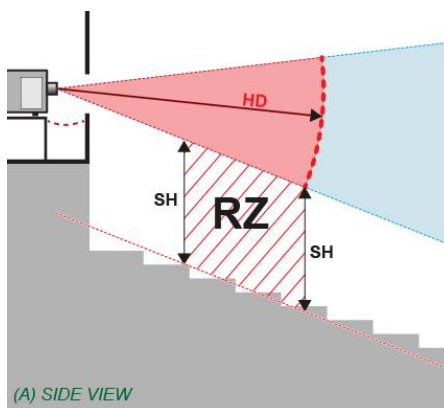
Manufacturer	Barco NV	
Model		
Serial Number		
Manufacturing date		
Laser Hazard Classification	<input type="checkbox"/> CLASS 1 RG3 <input type="checkbox"/> CLASS 2 RG3 <input type="checkbox"/> OTHER CLASS → CLASS:	

Projector and restricted access area inspected

Projector securely mounted	<input type="checkbox"/> PASS
Projector housing is assembled properly	<input type="checkbox"/> PASS
Restricted access area and RG3 product warning signs provided	<input type="checkbox"/> PASS
Readily accessible control provided to immediately terminate projection light (e.g. mains switch, circuit breaker)	<input type="checkbox"/> PASS
Restricted access control implemented (including physical means e.g. key, pass code)	<input type="checkbox"/> PASS

Clearance distances confirmed

The Hazard Distance (HD) is confirmed to be	<input type="checkbox"/> Meter <input type="checkbox"/> Foot
How high is the lower part of the projected beam above floor level where audience is permitted to stand (=Separation Height SH)	<input type="checkbox"/> Meter <input type="checkbox"/> Foot
If applicable: How wide is the lateral distance between the projected beam from where audience is permitted to stand (=Separation Width SW)	<input type="checkbox"/> Meter <input type="checkbox"/> Foot



The installer confirms that the Restriction Zone (RZ) is respected	<input type="checkbox"/> YES <input type="checkbox"/> NO
---	---

Checklist for laser illuminated RG3 projector installations performed in the USA

Details Projector 8.

Projector information

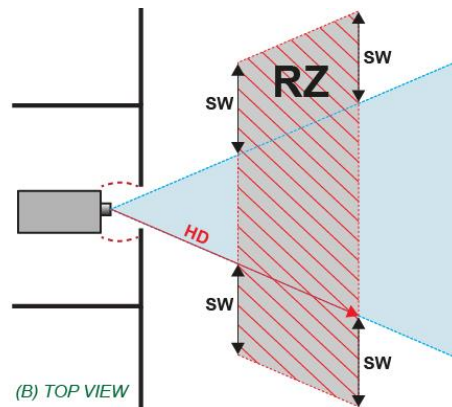
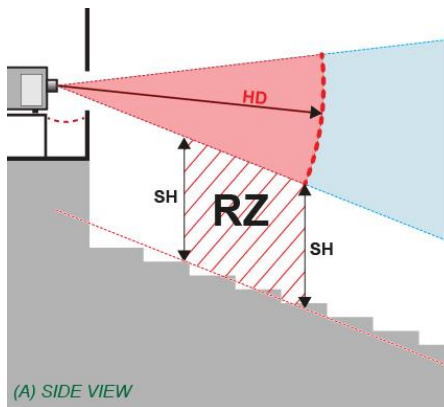
Manufacturer	Barco NV	
Model		
Serial Number		
Manufacturing date		
Laser Hazard Classification	<input type="checkbox"/> CLASS 1 RG3 <input type="checkbox"/> CLASS 2 RG3 <input type="checkbox"/> OTHER CLASS → CLASS:	

Projector and restricted access area inspected

Projector securely mounted	<input type="checkbox"/> PASS
Projector housing is assembled properly	<input type="checkbox"/> PASS
Restricted access area and RG3 product warning signs provided	<input type="checkbox"/> PASS
Readily accessible control provided to immediately terminate projection light (e.g. mains switch, circuit breaker)	<input type="checkbox"/> PASS
Restricted access control implemented (including physical means e.g. key, pass code)	<input type="checkbox"/> PASS

Clearance distances confirmed

The Hazard Distance (HD) is confirmed to be	<input type="checkbox"/> Meter <input type="checkbox"/> Foot
How high is the lower part of the projected beam above floor level where audience is permitted to stand (=Separation Height SH)	<input type="checkbox"/> Meter <input type="checkbox"/> Foot
If applicable: How wide is the lateral distance between the projected beam from where audience is permitted to stand (=Separation Width SW)	<input type="checkbox"/> Meter <input type="checkbox"/> Foot



The installer confirms that the Restriction Zone (RZ) is respected	<input type="checkbox"/> YES <input type="checkbox"/> NO
---	---

Checklist for laser illuminated RG3 projector installations performed in the USA

Details Projector 9.

Projector information

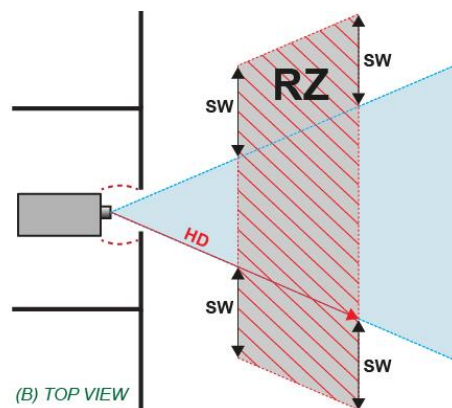
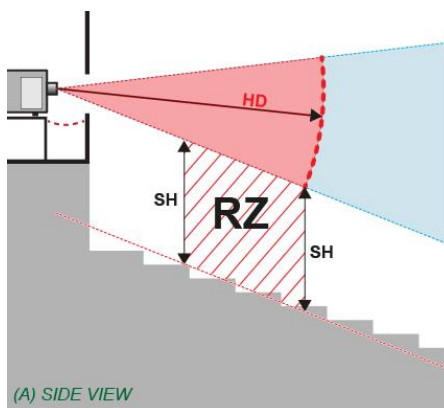
Manufacturer	Barco NV	
Model		
Serial Number		
Manufacturing date		
Laser Hazard Classification	<input type="checkbox"/> CLASS 1 RG3 <input type="checkbox"/> CLASS 2 RG3 <input type="checkbox"/> OTHER CLASS → CLASS:	

Projector and restricted access area inspected

Projector securely mounted	<input type="checkbox"/> PASS
Projector housing is assembled properly	<input type="checkbox"/> PASS
Restricted access area and RG3 product warning signs provided	<input type="checkbox"/> PASS
Readily accessible control provided to immediately terminate projection light (e.g. mains switch, circuit breaker)	<input type="checkbox"/> PASS
Restricted access control implemented (including physical means e.g. key, pass code)	<input type="checkbox"/> PASS

Clearance distances confirmed

The Hazard Distance (HD) is confirmed to be	<input type="checkbox"/> Meter <input type="checkbox"/> Foot
How high is the lower part of the projected beam above floor level where audience is permitted to stand (=Separation Height SH)	<input type="checkbox"/> Meter <input type="checkbox"/> Foot
If applicable: How wide is the lateral distance between the projected beam from where audience is permitted to stand (=Separation Width SW)	<input type="checkbox"/> Meter <input type="checkbox"/> Foot



The installer confirms that the Restriction Zone (RZ) is respected	<input type="checkbox"/> YES <input type="checkbox"/> NO
---	---

Checklist for laser illuminated RG3 projector installations performed in the USA

Details Projector 10.

Projector information

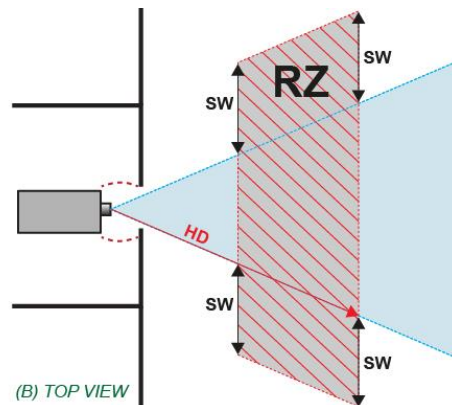
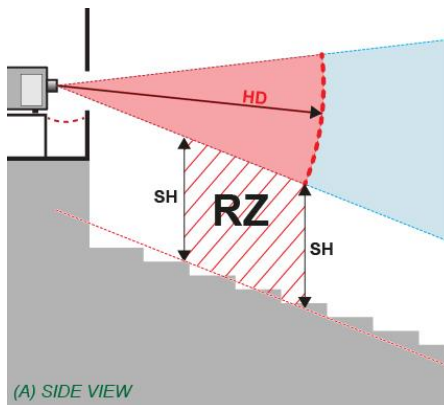
Manufacturer	Barco NV	
Model		
Serial Number		
Manufacturing date		
Laser Hazard Classification	<input type="checkbox"/> CLASS 1 RG3 <input type="checkbox"/> CLASS 2 RG3 <input type="checkbox"/> OTHER CLASS → CLASS:	

Projector and restricted access area inspected

Projector securely mounted	<input type="checkbox"/> PASS
Projector housing is assembled properly	<input type="checkbox"/> PASS
Restricted access area and RG3 product warning signs provided	<input type="checkbox"/> PASS
Readily accessible control provided to immediately terminate projection light (e.g. mains switch, circuit breaker)	<input type="checkbox"/> PASS
Restricted access control implemented (including physical means e.g. key, pass code)	<input type="checkbox"/> PASS

Clearance distances confirmed

The Hazard Distance (HD) is confirmed to be	<input type="checkbox"/> Meter <input type="checkbox"/> Foot
How high is the lower part of the projected beam above floor level where audience is permitted to stand (=Separation Height SH)	<input type="checkbox"/> Meter <input type="checkbox"/> Foot
If applicable: How wide is the lateral distance between the projected beam from where audience is permitted to stand (=Separation Width SW)	<input type="checkbox"/> Meter <input type="checkbox"/> Foot



The installer confirms that the Restriction Zone (RZ) is respected	<input type="checkbox"/> YES <input type="checkbox"/> NO
---	---

Checklist for laser illuminated RG3 projector installations performed in the USA

Details Projector 11.

Projector information

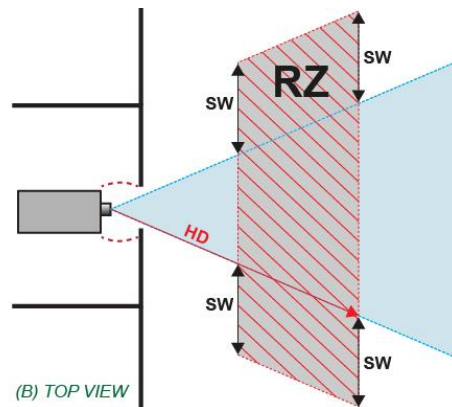
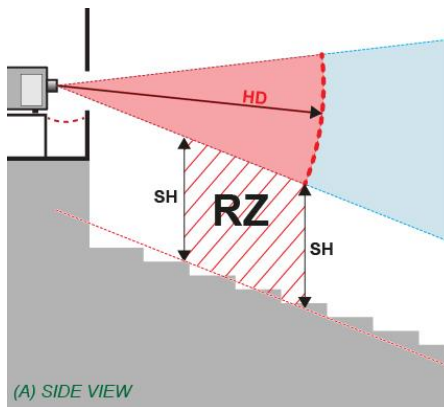
Manufacturer	Barco NV	
Model		
Serial Number		
Manufacturing date		
Laser Hazard Classification	<input type="checkbox"/> CLASS 1 RG3 <input type="checkbox"/> CLASS 2 RG3 <input type="checkbox"/> OTHER CLASS → CLASS:	

Projector and restricted access area inspected

Projector securely mounted	<input type="checkbox"/> PASS
Projector housing is assembled properly	<input type="checkbox"/> PASS
Restricted access area and RG3 product warning signs provided	<input type="checkbox"/> PASS
Readily accessible control provided to immediately terminate projection light (e.g. mains switch, circuit breaker)	<input type="checkbox"/> PASS
Restricted access control implemented (including physical means e.g. key, pass code)	<input type="checkbox"/> PASS

Clearance distances confirmed

The Hazard Distance (HD) is confirmed to be	<input type="checkbox"/> Meter <input type="checkbox"/> Foot
How high is the lower part of the projected beam above floor level where audience is permitted to stand (=Separation Height SH)	<input type="checkbox"/> Meter <input type="checkbox"/> Foot
If applicable: How wide is the lateral distance between the projected beam from where audience is permitted to stand (=Separation Width SW)	<input type="checkbox"/> Meter <input type="checkbox"/> Foot



The installer confirms that the Restriction Zone (RZ) is respected	<input type="checkbox"/> YES <input type="checkbox"/> NO
---	---

Checklist for laser illuminated RG3 projector installations performed in the USA

Details Projector 12.

Projector information

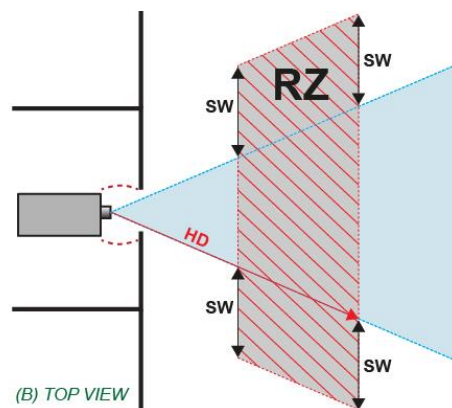
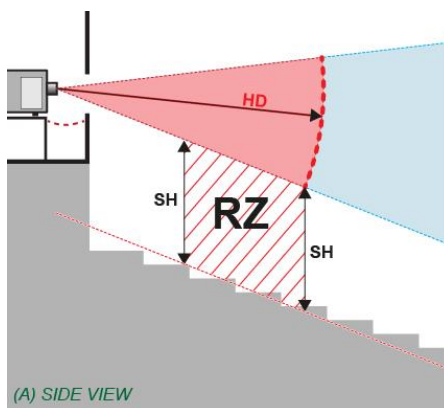
Manufacturer	Barco NV	
Model		
Serial Number		
Manufacturing date		
Laser Hazard Classification	<input type="checkbox"/> CLASS 1 RG3 <input type="checkbox"/> CLASS 2 RG3 <input type="checkbox"/> OTHER CLASS → CLASS:	

Projector and restricted access area inspected

Projector securely mounted	<input type="checkbox"/> PASS
Projector housing is assembled properly	<input type="checkbox"/> PASS
Restricted access area and RG3 product warning signs provided	<input type="checkbox"/> PASS
Readily accessible control provided to immediately terminate projection light (e.g. mains switch, circuit breaker)	<input type="checkbox"/> PASS
Restricted access control implemented (including physical means e.g. key, pass code)	<input type="checkbox"/> PASS

Clearance distances confirmed

The Hazard Distance (HD) is confirmed to be	<input type="checkbox"/> Meter <input type="checkbox"/> Foot
How high is the lower part of the projected beam above floor level where audience is permitted to stand (=Separation Height SH)	<input type="checkbox"/> Meter <input type="checkbox"/> Foot
If applicable: How wide is the lateral distance between the projected beam from where audience is permitted to stand (=Separation Width SW)	<input type="checkbox"/> Meter <input type="checkbox"/> Foot



The installer confirms that the Restriction Zone (RZ) is respected	<input type="checkbox"/> YES <input type="checkbox"/> NO
---	---

Checklist for laser illuminated RG3 projector installations performed in the USA

Details Projector 13.

Projector information

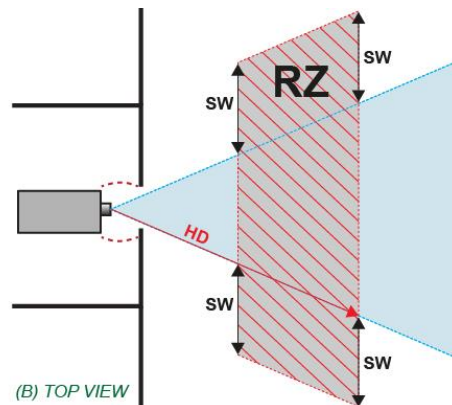
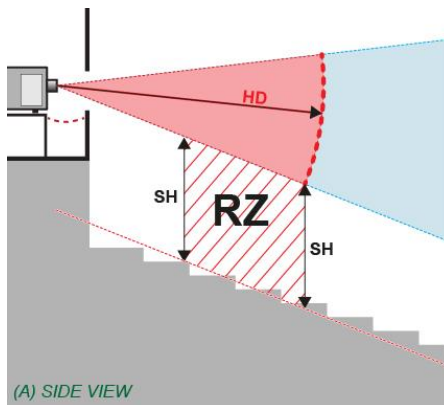
Manufacturer	Barco NV	
Model		
Serial Number		
Manufacturing date		
Laser Hazard Classification	<input type="checkbox"/> CLASS 1 RG3 <input type="checkbox"/> CLASS 2 RG3 <input type="checkbox"/> OTHER CLASS → CLASS:	

Projector and restricted access area inspected

Projector securely mounted	<input type="checkbox"/> PASS
Projector housing is assembled properly	<input type="checkbox"/> PASS
Restricted access area and RG3 product warning signs provided	<input type="checkbox"/> PASS
Readily accessible control provided to immediately terminate projection light (e.g. mains switch, circuit breaker)	<input type="checkbox"/> PASS
Restricted access control implemented (including physical means e.g. key, pass code)	<input type="checkbox"/> PASS

Clearance distances confirmed

The Hazard Distance (HD) is confirmed to be	<input type="checkbox"/> Meter <input type="checkbox"/> Foot
How high is the lower part of the projected beam above floor level where audience is permitted to stand (=Separation Height SH)	<input type="checkbox"/> Meter <input type="checkbox"/> Foot
If applicable: How wide is the lateral distance between the projected beam from where audience is permitted to stand (=Separation Width SW)	<input type="checkbox"/> Meter <input type="checkbox"/> Foot



The installer confirms that the Restriction Zone (RZ) is respected	<input type="checkbox"/> YES <input type="checkbox"/> NO
---	---

Checklist for laser illuminated RG3 projector installations performed in the USA

Details Projector 14.

Projector information

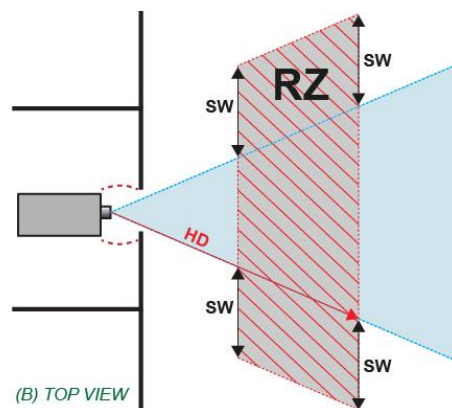
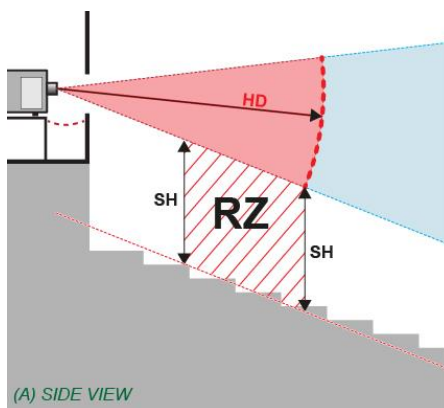
Manufacturer	Barco NV	
Model		
Serial Number		
Manufacturing date		
Laser Hazard Classification	<input type="checkbox"/> CLASS 1 RG3 <input type="checkbox"/> CLASS 2 RG3 <input type="checkbox"/> OTHER CLASS → CLASS:	

Projector and restricted access area inspected

Projector securely mounted	<input type="checkbox"/> PASS
Projector housing is assembled properly	<input type="checkbox"/> PASS
Restricted access area and RG3 product warning signs provided	<input type="checkbox"/> PASS
Readily accessible control provided to immediately terminate projection light (e.g. mains switch, circuit breaker)	<input type="checkbox"/> PASS
Restricted access control implemented (including physical means e.g. key, pass code)	<input type="checkbox"/> PASS

Clearance distances confirmed

The Hazard Distance (HD) is confirmed to be	<input type="checkbox"/> Meter <input type="checkbox"/> Foot
How high is the lower part of the projected beam above floor level where audience is permitted to stand (=Separation Height SH)	<input type="checkbox"/> Meter <input type="checkbox"/> Foot
If applicable: How wide is the lateral distance between the projected beam from where audience is permitted to stand (=Separation Width SW)	<input type="checkbox"/> Meter <input type="checkbox"/> Foot



The installer confirms that the Restriction Zone (RZ) is respected	<input type="checkbox"/> YES <input type="checkbox"/> NO
---	---

Checklist for laser illuminated RG3 projector installations performed in the USA

Details Projector 15.

Projector information

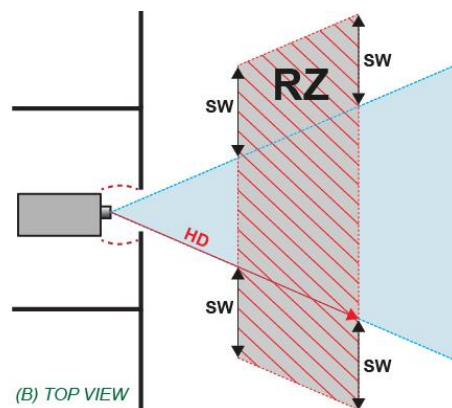
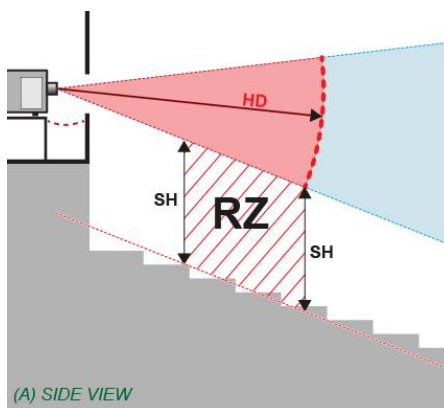
Manufacturer	Barco NV	
Model		
Serial Number		
Manufacturing date		
Laser Hazard Classification	<input type="checkbox"/> CLASS 1 RG3 <input type="checkbox"/> CLASS 2 RG3 <input type="checkbox"/> OTHER CLASS → CLASS:	

Projector and restricted access area inspected

Projector securely mounted	<input type="checkbox"/> PASS
Projector housing is assembled properly	<input type="checkbox"/> PASS
Restricted access area and RG3 product warning signs provided	<input type="checkbox"/> PASS
Readily accessible control provided to immediately terminate projection light (e.g. mains switch, circuit breaker)	<input type="checkbox"/> PASS
Restricted access control implemented (including physical means e.g. key, pass code)	<input type="checkbox"/> PASS

Clearance distances confirmed

The Hazard Distance (HD) is confirmed to be	<input type="checkbox"/> Meter <input type="checkbox"/> Foot
How high is the lower part of the projected beam above floor level where audience is permitted to stand (=Separation Height SH)	<input type="checkbox"/> Meter <input type="checkbox"/> Foot
If applicable: How wide is the lateral distance between the projected beam from where audience is permitted to stand (=Separation Width SW)	<input type="checkbox"/> Meter <input type="checkbox"/> Foot



The installer confirms that the Restriction Zone (RZ) is respected	<input type="checkbox"/> YES <input type="checkbox"/> NO
---	---

Checklist for laser illuminated RG3 projector installations performed in the USA

Details Projector 16.

Projector information

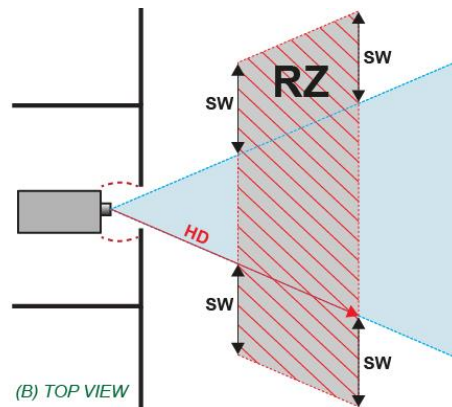
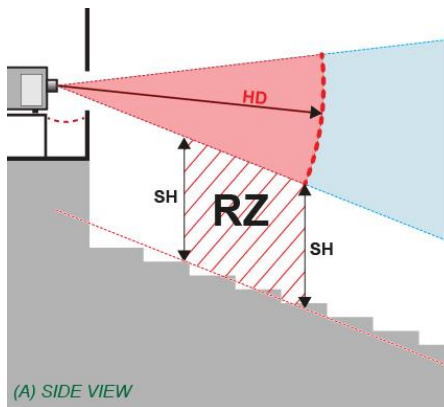
Manufacturer	Barco NV	
Model		
Serial Number		
Manufacturing date		
Laser Hazard Classification	<input type="checkbox"/> CLASS 1 RG3 <input type="checkbox"/> CLASS 2 RG3 <input type="checkbox"/> OTHER CLASS → CLASS:	

Projector and restricted access area inspected

Projector securely mounted	<input type="checkbox"/> PASS
Projector housing is assembled properly	<input type="checkbox"/> PASS
Restricted access area and RG3 product warning signs provided	<input type="checkbox"/> PASS
Readily accessible control provided to immediately terminate projection light (e.g. mains switch, circuit breaker)	<input type="checkbox"/> PASS
Restricted access control implemented (including physical means e.g. key, pass code)	<input type="checkbox"/> PASS

Clearance distances confirmed

The Hazard Distance (HD) is confirmed to be	<input type="checkbox"/> Meter <input type="checkbox"/> Foot
How high is the lower part of the projected beam above floor level where audience is permitted to stand (=Separation Height SH)	<input type="checkbox"/> Meter <input type="checkbox"/> Foot
If applicable: How wide is the lateral distance between the projected beam from where audience is permitted to stand (=Separation Width SW)	<input type="checkbox"/> Meter <input type="checkbox"/> Foot



The installer confirms that the Restriction Zone (RZ) is respected	<input type="checkbox"/> YES <input type="checkbox"/> NO
---	---

Checklist for laser illuminated RG3 projector installations performed in the USA

Details Projector 17.

Projector information

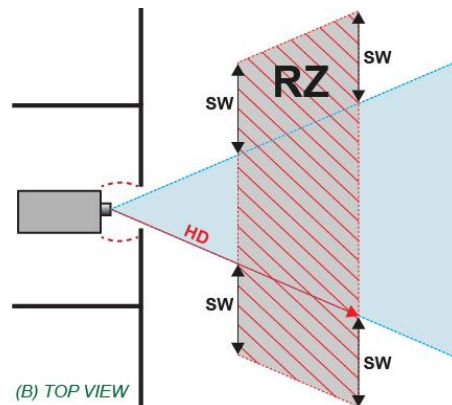
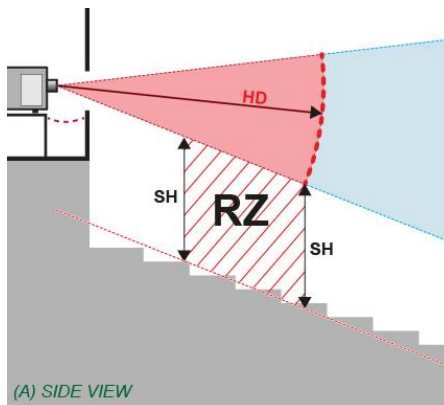
Manufacturer	Barco NV	
Model		
Serial Number		
Manufacturing date		
Laser Hazard Classification	<input type="checkbox"/> CLASS 1 RG3 <input type="checkbox"/> CLASS 2 RG3 <input type="checkbox"/> OTHER CLASS → CLASS:	

Projector and restricted access area inspected

Projector securely mounted	<input type="checkbox"/> PASS
Projector housing is assembled properly	<input type="checkbox"/> PASS
Restricted access area and RG3 product warning signs provided	<input type="checkbox"/> PASS
Readily accessible control provided to immediately terminate projection light (e.g. mains switch, circuit breaker)	<input type="checkbox"/> PASS
Restricted access control implemented (including physical means e.g. key, pass code)	<input type="checkbox"/> PASS

Clearance distances confirmed

The Hazard Distance (HD) is confirmed to be	<input type="checkbox"/> Meter <input type="checkbox"/> Foot
How high is the lower part of the projected beam above floor level where audience is permitted to stand (=Separation Height SH)	<input type="checkbox"/> Meter <input type="checkbox"/> Foot
If applicable: How wide is the lateral distance between the projected beam from where audience is permitted to stand (=Separation Width SW)	<input type="checkbox"/> Meter <input type="checkbox"/> Foot



The installer confirms that the Restriction Zone (RZ) is respected	<input type="checkbox"/> YES <input type="checkbox"/> NO
---	---

Checklist for laser illuminated RG3 projector installations performed in the USA

Details Projector 18.

Projector information

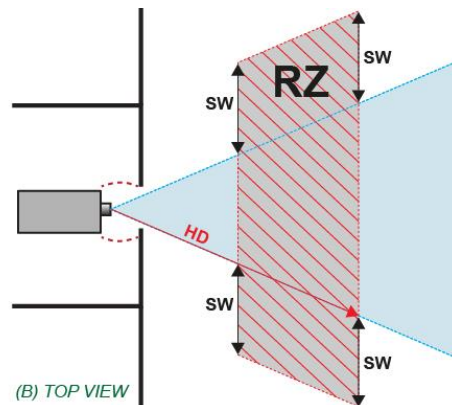
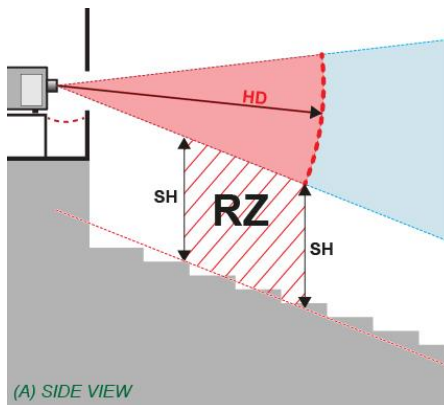
Manufacturer	Barco NV	
Model		
Serial Number		
Manufacturing date		
Laser Hazard Classification	<input type="checkbox"/> CLASS 1 RG3 <input type="checkbox"/> CLASS 2 RG3 <input type="checkbox"/> OTHER CLASS → CLASS:	

Projector and restricted access area inspected

Projector securely mounted	<input type="checkbox"/> PASS
Projector housing is assembled properly	<input type="checkbox"/> PASS
Restricted access area and RG3 product warning signs provided	<input type="checkbox"/> PASS
Readily accessible control provided to immediately terminate projection light (e.g. mains switch, circuit breaker)	<input type="checkbox"/> PASS
Restricted access control implemented (including physical means e.g. key, pass code)	<input type="checkbox"/> PASS

Clearance distances confirmed

The Hazard Distance (HD) is confirmed to be	<input type="checkbox"/> Meter <input type="checkbox"/> Foot
How high is the lower part of the projected beam above floor level where audience is permitted to stand (=Separation Height SH)	<input type="checkbox"/> Meter <input type="checkbox"/> Foot
If applicable: How wide is the lateral distance between the projected beam from where audience is permitted to stand (=Separation Width SW)	<input type="checkbox"/> Meter <input type="checkbox"/> Foot



The installer confirms that the Restriction Zone (RZ) is respected	<input type="checkbox"/> YES <input type="checkbox"/> NO
---	---

Checklist for laser illuminated RG3 projector installations performed in the USA

Details Projector 19.

Projector information

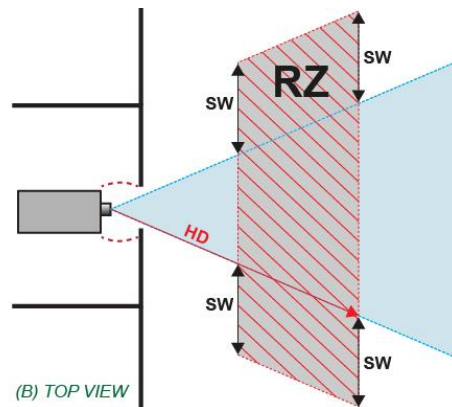
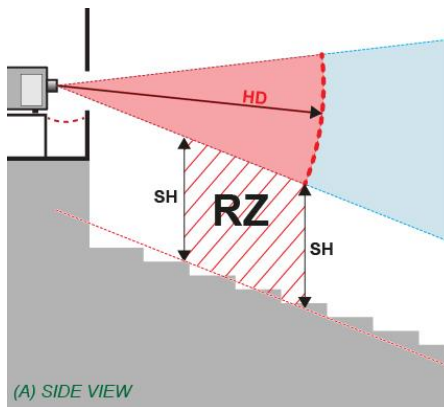
Manufacturer	Barco NV	
Model		
Serial Number		
Manufacturing date		
Laser Hazard Classification	<input type="checkbox"/> CLASS 1 RG3 <input type="checkbox"/> CLASS 2 RG3 <input type="checkbox"/> OTHER CLASS → CLASS:	

Projector and restricted access area inspected

Projector securely mounted	<input type="checkbox"/> PASS
Projector housing is assembled properly	<input type="checkbox"/> PASS
Restricted access area and RG3 product warning signs provided	<input type="checkbox"/> PASS
Readily accessible control provided to immediately terminate projection light (e.g. mains switch, circuit breaker)	<input type="checkbox"/> PASS
Restricted access control implemented (including physical means e.g. key, pass code)	<input type="checkbox"/> PASS

Clearance distances confirmed

The Hazard Distance (HD) is confirmed to be	<input type="checkbox"/> Meter <input type="checkbox"/> Foot
How high is the lower part of the projected beam above floor level where audience is permitted to stand (=Separation Height SH)	<input type="checkbox"/> Meter <input type="checkbox"/> Foot
If applicable: How wide is the lateral distance between the projected beam from where audience is permitted to stand (=Separation Width SW)	<input type="checkbox"/> Meter <input type="checkbox"/> Foot



The installer confirms that the Restriction Zone (RZ) is respected	<input type="checkbox"/> YES <input type="checkbox"/> NO
---	---

Checklist for laser illuminated RG3 projector installations performed in the USA

Details Projector 20.

Projector information

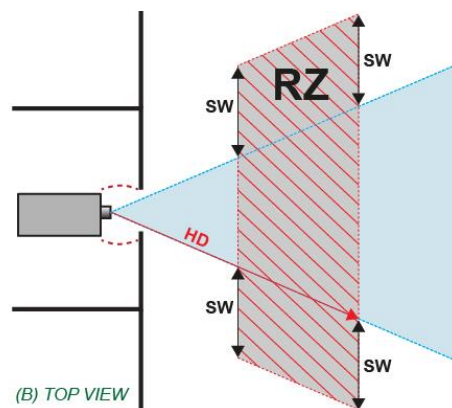
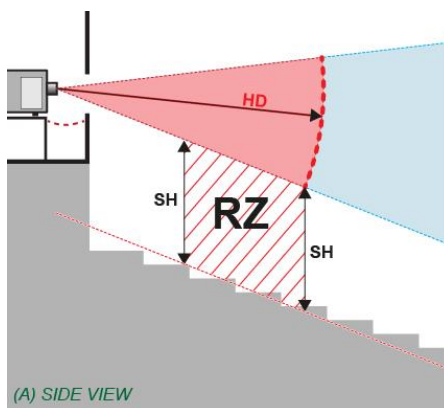
Manufacturer	Barco NV	
Model		
Serial Number		
Manufacturing date		
Laser Hazard Classification	<input type="checkbox"/> CLASS 1 RG3 <input type="checkbox"/> CLASS 2 RG3 <input type="checkbox"/> OTHER CLASS → CLASS:	

Projector and restricted access area inspected

Projector securely mounted	<input type="checkbox"/> PASS
Projector housing is assembled properly	<input type="checkbox"/> PASS
Restricted access area and RG3 product warning signs provided	<input type="checkbox"/> PASS
Readily accessible control provided to immediately terminate projection light (e.g. mains switch, circuit breaker)	<input type="checkbox"/> PASS
Restricted access control implemented (including physical means e.g. key, pass code)	<input type="checkbox"/> PASS

Clearance distances confirmed

The Hazard Distance (HD) is confirmed to be	<input type="checkbox"/> Meter <input type="checkbox"/> Foot
How high is the lower part of the projected beam above floor level where audience is permitted to stand (=Separation Height SH)	<input type="checkbox"/> Meter <input type="checkbox"/> Foot
If applicable: How wide is the lateral distance between the projected beam from where audience is permitted to stand (=Separation Width SW)	<input type="checkbox"/> Meter <input type="checkbox"/> Foot



The installer confirms that the Restriction Zone (RZ) is respected	<input type="checkbox"/> YES <input type="checkbox"/> NO
---	---