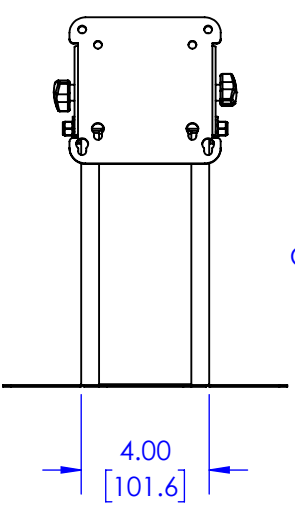


WIRE CHASE ACCESS HOLE

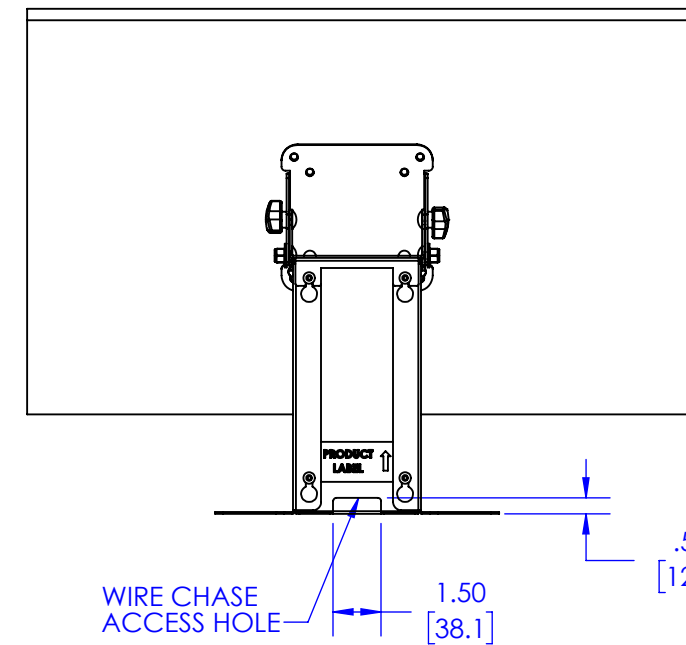
MOUNTED ELECTRONIC EQUIPMENT

75° MINIMUM TILT
75° MAXIMUM TILT

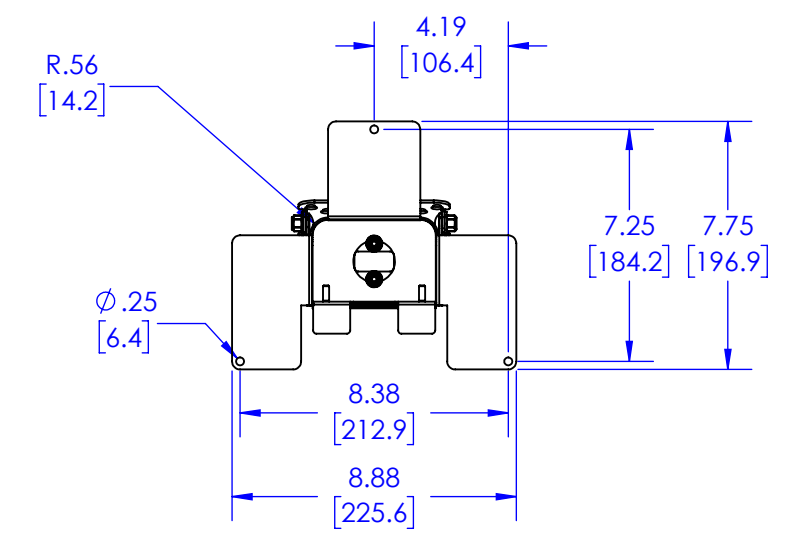
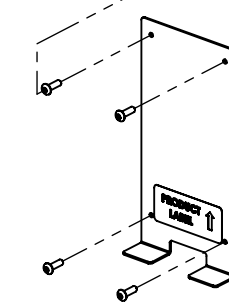
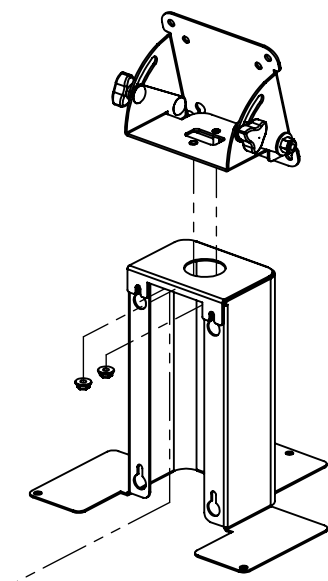
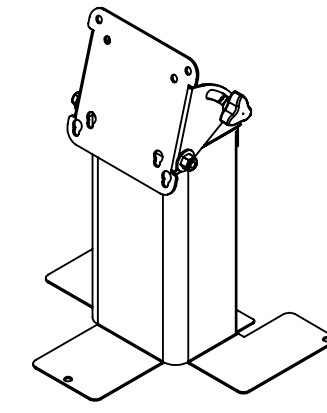
9.3 [235]
CENTER OF MONITOR MOUNTING PLATE



2.75 [69.9]



WIRE CHASE ACCESS HOLE



THE INFORMATION AND DESIGNS CONTAINED IN THIS DRAWING ARE CONFIDENTIAL AND THE PROPRIETARY PROPERTY OF LEGRAND | AV. NEITHER THIS DESIGN NOR ANY INFORMATION CONTAINED IN THIS DRAWING MAY BE REPRODUCED OR DISCLOSED TO OTHERS WITHOUT THE EXPRESS WRITTEN CONSENT OF LEGRAND | AV.

| | | | | | | | |
|--|-----|------------|------------------------------|------|---|---|-------------|
| CAD GENERATED DRAWING, DO NOT MANUALLY UPDATE. | | | | | | 6436 CITY WEST PKWY EDEN PRAIRIE MN, 55344 PHONE: 866-977-3901 FAX: 877-894-6918 | |
| DRAWN BY | HEF | 10/12/2020 | DESCRIPTION | | | | |
| ENG APPROVAL | | | HEALTH PRCL VESA TABLE STAND | | | | |
| MFG APPROVAL | | | MODEL NO. | | | | |
| QA APPROVAL | | | HTSVS | | | | |
| SHEET 1 OF 1 | | SCALE | 1:6 | SIZE | B | DWG. NO. | TECH-001092 |
| | | | | | | | REV. |
| | | | | | | | 00 |