

AP-503H-MNT2 Mount Kit

Installation Guide

The AP-503H-MNT2 is designed to secure 503H Series access points to a dual-gang wall box according to the installation procedure provided in this guide.



A #1 Phillips and T8H screwdriver are required for installation.

Package Contents

- Double gang wall mount bracket
- Side cover
- (x4) #6-32x1 Phillips drive screws
- (x2) M2.5 x 6.5 T8H Security Type Tamper Proof Torx screw

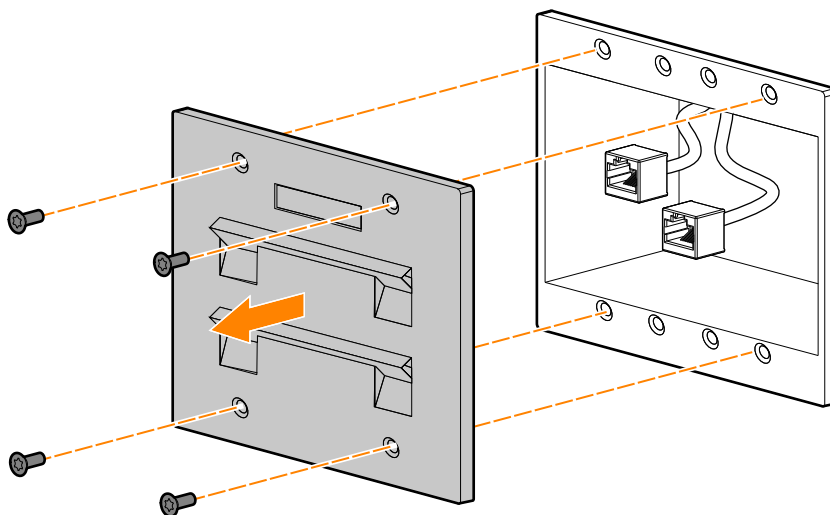
Installation



This mount kit supports dual gang wall boxes for the 503H Series access points.

1. If the wall box is not already exposed, unscrew and remove the existing wall plate, as shown in [Figure 1](#).

Figure 1 Remove Existing Wall Plate

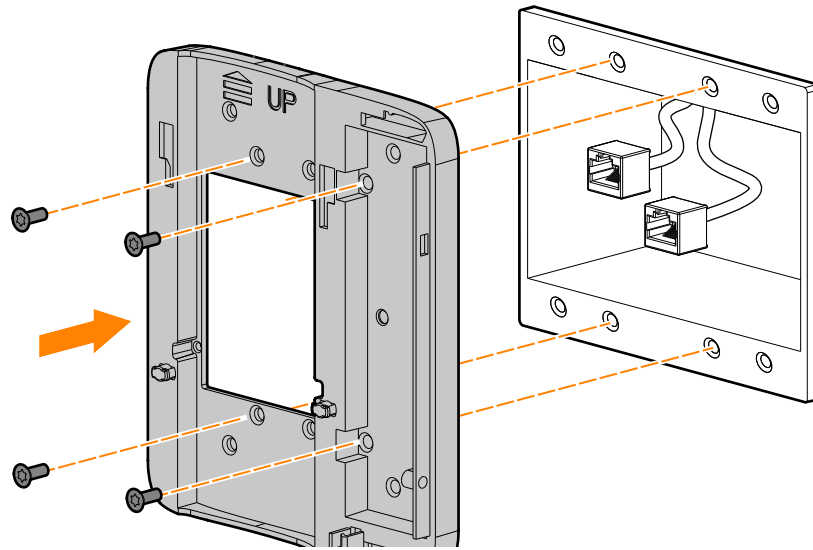


2. If needed, detach any RJ45 cables by unclipping the connectors from the wall plate.
3. Align the screw holes on the mounting bracket with the corresponding holes on the wall box.



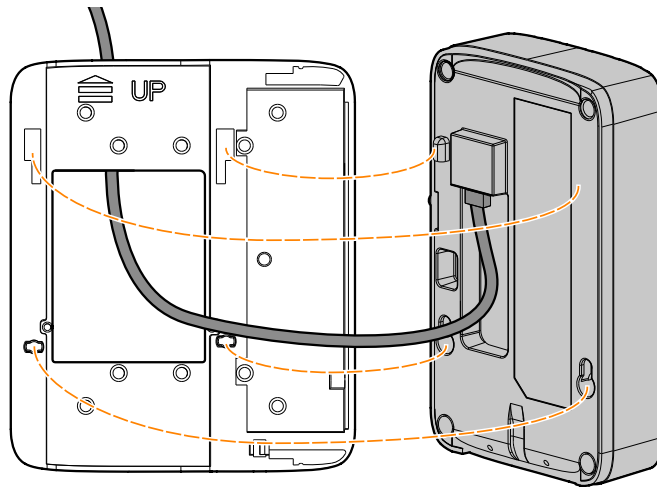
4. Screw the wall mount onto the wall box using the #6-32x1 Phillip screws, as shown in [Figure 2](#).
5. Attach an active Ethernet cable to the E0 port located on the back of the access point.

Figure 2 Attach Wall Mount to Single Gang Wall Box



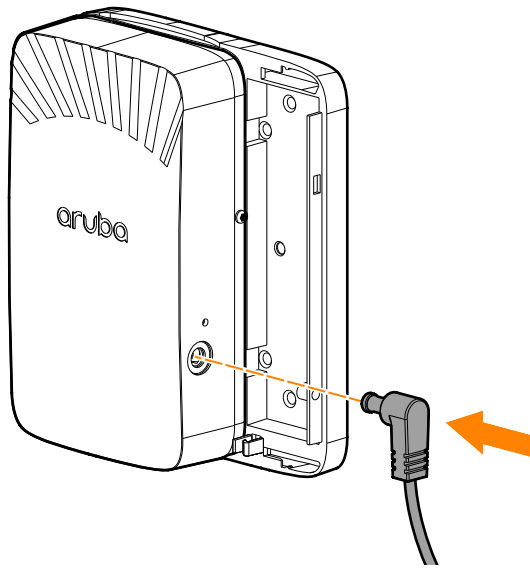
6. Align the slots on the back of the access point against the guide posts and slots on the mount, then slide the access point down, as shown in [Figure 3](#).

Figure 3 Secure AP-503H to Wall Mount



7. (Optional) If the access point requires a DC power adapter, insert a power cable into the socket located on the side of the access point, as shown in [Figure 4](#).

Figure 4 Plug In Power Cable



8. Place side cover on the assemble and screw in the security screw, as shown in [Figure 5](#).

Figure 5 Attach Front Cover and Screw In Security Screw

