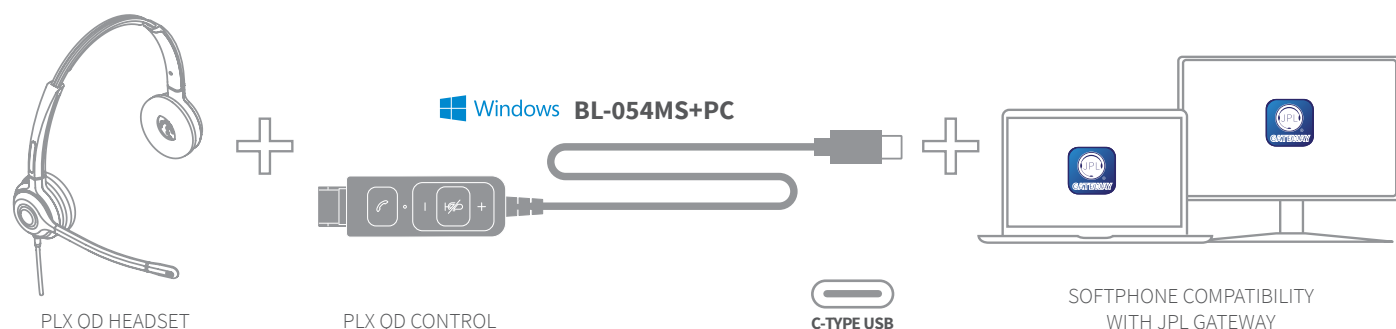
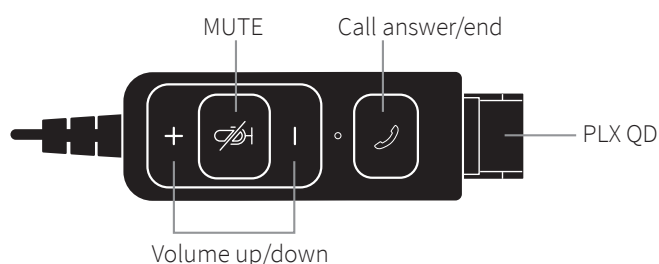




# BL-054MS+PC - USB-C Bottom Lead

## Convert your existing office headset into a Microsoft Certified softphone headset

The JPL Telecom Microsoft certified **BL-054MS+PC** converts any headset with a PLX QD into a Unified Communications headset, with its state of the art USB chipset, JPL Telecom has created a versatile connectivity cable which is easy to use and quick to install.



### JPL Gateway - Interoperability tool for UC devices

JPL Telecom have created the JPL Gateway for you to be able to download background software that bridges the gap, giving you a fully functional headset with our **Microsoft approved BL-054MS+PC** USB connecting lead. Go to our website for more information and to download the **JPL Gateway** interoperability software.

Get full functionality with:

