

# DARK POWER PRO 12

CUTTING EDGE TECHNOLOGIES AND PERFORMANCE

**1500W • 1200W**

## IDEAL APPLICATIONS

Advanced, high-resolution gaming  
Overclocked systems  
Media creating  
Multi-GPU workstations

## HIGHLIGHTS

Highest efficiency available (80 PLUS® Titanium)  
Fully digital control and full-bridge for best possible efficiency and regulation  
Frameless Silent Wings fan for virtually inaudible operation  
Individually sleeved cables, overclocking key, aluminum case

### Cutting Edge Technologies And Performance

The be quiet! Dark Power Pro 12 offers 80 PLUS Titanium efficiency and world class performance due to fully digital control and frameless fan concept. The most technologically-advanced PSU be quiet! has ever built.

#### Highlights »

- 80 PLUS Titanium efficiency (up to 94,9%)
- Fully digital control (PFC, LLC, SR/12V) and Full-Bridge topology for world class regulation and low ripple noise
- Patented frameless Silent Wings fan for virtually inaudible operation at ordinary load
- Redesigned funnel shape opening for a larger cooling area
- Full mesh PSU front for maximum airflow
- Overclocking key switches between six 12V-rails and one massive 12V-rail
- Wire-free inside the PSU for enhanced cooling and longevity
- Japanese 105°C capacitors ensure highest stability and reliability
- Aluminum case and modular individually sleeved cables for magnificent appearance
- Ten-year manufacturer's warranty
- Product conception, design and quality control in Germany



# DARK POWER PRO 12

CUTTING EDGE TECHNOLOGIES AND PERFORMANCE

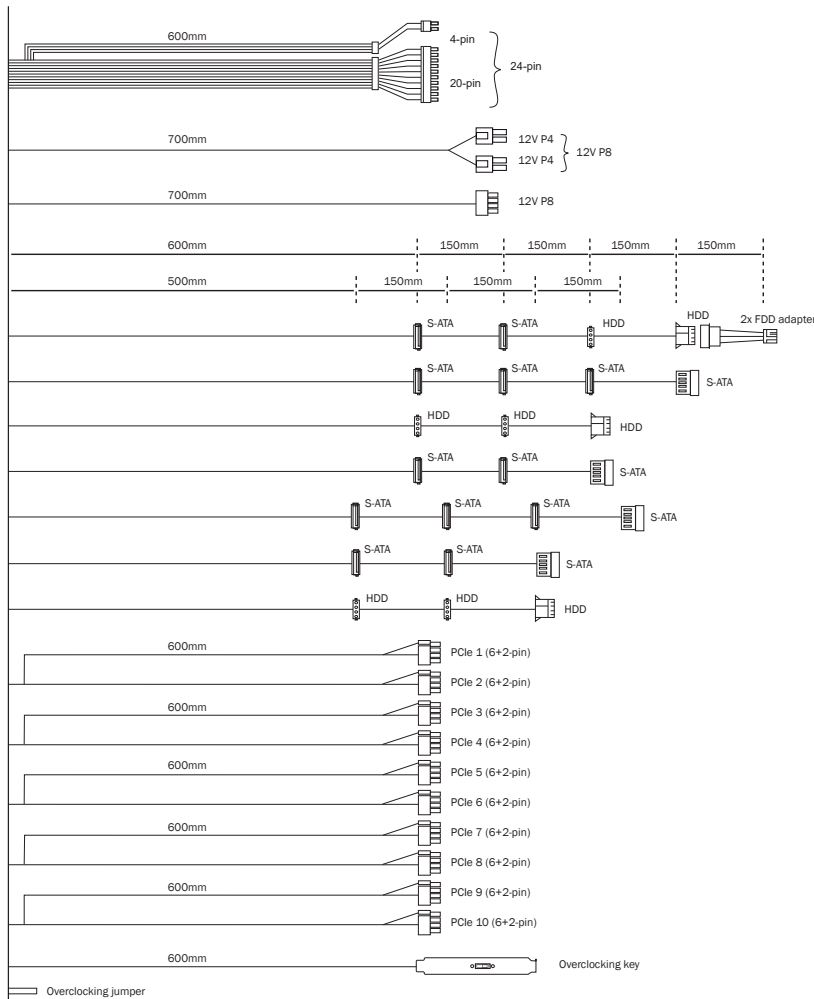
Technical Data »			
IN GENERAL	Model	1500W	1200W
	Article no.	BN312	BN311
	EAN Code	4260052187432	4260052187425
	Voltage (Vac) / Frequency (Hz)	100 - 240 / 50 - 60	100 - 240 / 50 - 60
	Dimensions (L x W x H)	200 x 150 x 86	200 x 150 x 86
	ATX 12V 2.51 / EPS 12V 2.92	✓ / ✓	✓ / ✓
	Wire-free (DC-side)	✓	✓
	Silent Wings fan (mm)	135	135
	Noise level (dB(A)) at 20 / 50 / 100% load	12.1 / 12.4 / 31.5	11.2 / 11.7 / 25.8
	12V rail (Multi-Rail) / 12V Single Rail	6 / ✓	6 / ✓
	Overclocking Key / Jumper	✓ / ✓	✓ / ✓
	Power Good signal	100-150ms	100-150ms
	PFC	active	active
	Certification / Efficiency (%) at 230V	80 PLUS® Titanium / 94,9%	80 PLUS® Titanium / 94,7%
	Energy Star 7.0 compatible	✓	✓
	ErP ready / Power in stand-by (W)	✓ / <0.06	✓ / <0.06
OCP, OVP, UVP, SCP, OPP, OTP	✓	✓	
Lifetime of PSU at 40°C (h)	100,000	100,000	
CABLES	No. of cables	17	17
	Maximum cable length (cm)	120	120
	Length of ATX-connection cable (cm)	60	60
	Cable management	Modular	Modular
	Sleeved cables	individually sleeved	individually sleeved
CONNECTORS	ATX motherboard (20+4-pin)	✓	✓
	PCI express (6+2-pin)	10	10
	P8-/P4-connector	1x P4+4 / 1xP8	1x P4+4 / 1xP8
	S-ATA (5-pin)	16	16
	P-ATA (4-pin)	8	8

Output Data »											
AC Input		110-240Vac 50-60Hz 17-9A									
DC Output		3.3V	5V	12V1	12V2	12V3	12V4	12V5	12V6	-12V	5VsB
1500W	Max. Current	25A	25A	40A	40A	40A	40A	45A	45A	0.5A	3.5A
	Max. Combined Power	150W		125A					1500W		6W
<b>1500W</b>											
AC Input		100-240Vac 50-60Hz 16-8A									
DC Output		3.3V	5V	12V1	12V2	12V3	12V4	12V5	12V6	-12V	5VsB
1200W	Max. Current	25A	25A	35A	35A	35A	35A	40A	40A	0.5A	3.5A
	Max. Combined Power	150W		100A					1200W		6W
<b>1200W</b>											

# DARK POWER PRO 12

CUTTING EDGE TECHNOLOGIES AND PERFORMANCE

Cables »



Logistics data »

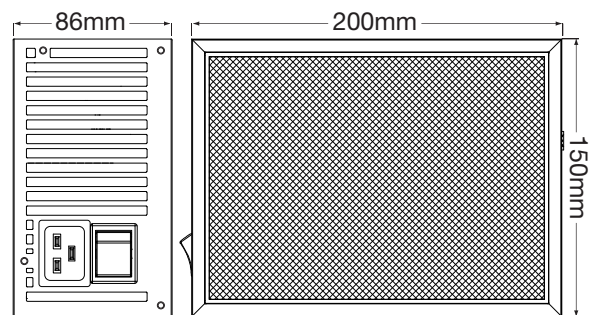
Region	Model	Article no	EAN code
EU	Dark Power Pro 12 1500W	BN312	4260052187432
EU	Dark Power Pro 12 1200W	BN311	4260052187425
AU	Dark Power Pro 12 1500W	BN817	4260052187746
AU	Dark Power Pro 12 1200W	BN816	4260052187739
US	Dark Power Pro 12 1500W	BN647	4260052187722
US	Dark Power Pro 12 1200W	BN646	4260052187715
TW	Dark Power Pro 12 1500W	BN944	4260052187760
TW	Dark Power Pro 12 1200W	BN943	4260052187753
CN	Dark Power Pro 12 1500W	BN946	4260052187784
CN	Dark Power Pro 12 1200W	BN945	4260052187777

Contact »

be quiet! Headquarters  
 Listan GmbH  
 Wilhelm-Bergner-Straße 11c  
 21509 Glinde  
 Germany

Service hotline: +49 40 7367 686 44  
 e-mail: [service@bequiet.com](mailto:service@bequiet.com)  
 Visit the contact section on [bequiet.com](http://bequiet.com) for the right regional service information.

Dimensions »



Certifications »

