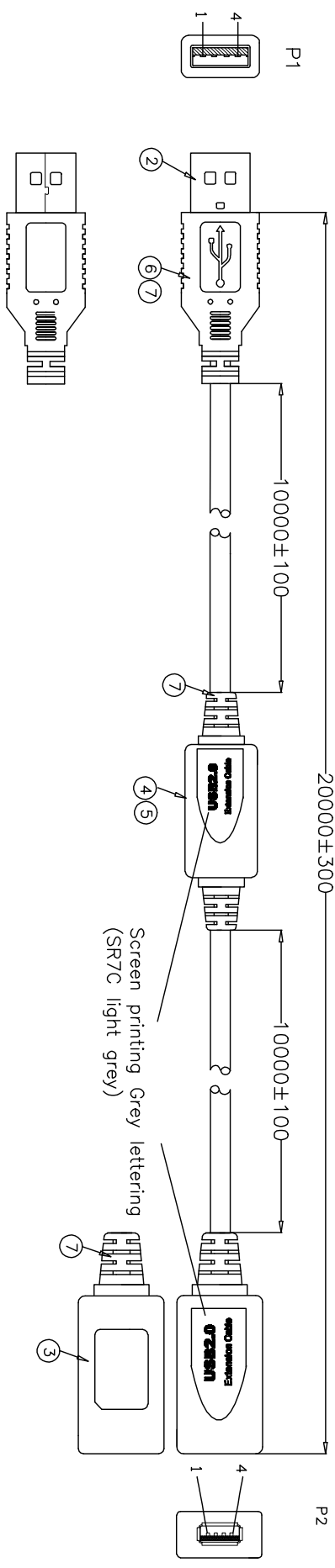


RoHS compliant

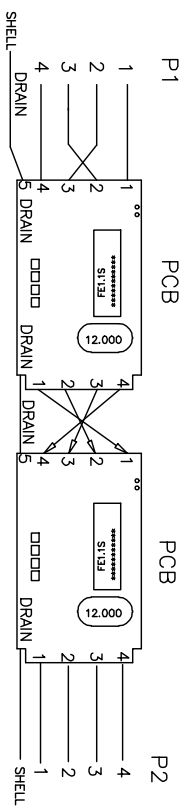
RevNo	Revision note	Date	Signature	Checked



ELECTRONIC TEST:

- A.OPEN/SHORT/INTERMITTENCE: 100%.
- B.HI-POT: AC 300V 0.01S
- C.INSULATION RESISTANCE:DC300V 0.01S 10MΩ(MIN)
- D.CONDUCTIVE RESISTANCE:10 OHM (MAX)

⑦	MOLDED	45P BLACK PVC	16	G
⑥	MOLDED	LD-PE	3	G
⑤	PLASTIC SHELL	BLACK ABS SHELL	2	PCS
④	PCB	PCB-FE1.1S	2	PCS
③	CONNECTOR	USB A FEMALE, 90°WHITE GLUE PIN G/F NICKEL PLATED	1	PCS
②	CONNECTOR	USB A MALE, WHITE GLUE PIN G/F NICKEL PLATED	1	PCS
①	CABLE	UL2725 28#(7/0.127TC)*1PR+24#(7/0.2TC) *2C+AI +DI( /0.254BC)+B (64/0.12LMS) BLACK OD=4.8 MARKING: E***** AAW 2725 80°C 30V VW-1 28AWG/1P AND 24AWG/2C USB2.0 CABLE	20000	MM
NO	NAME	SPECIFICATIONS	Q'TY	UNIT



Itemref	Quantity	Title/Name designation, material, dimension etc		Article No./Reference
Designed by ACHY	Checked by HELEN	Approved by - date October 25, 2016	File name	Date October 25, 2016
ANGLE:	32 3591			
UNIT:MM	Edition 1			Scale FREE
				Sheet 1/1