

# ThinkPad P15 Gen 1/T15g Gen 1 Hardware Maintenance Manual

**ThinkPad**



**Lenovo**

**Note:** Before using this information and the product it supports, be sure to read the general information under Appendix A “Notices” on page 105.

**Second Edition (May 2021)**

**© Copyright Lenovo 2020, 2021.**

LIMITED AND RESTRICTED RIGHTS NOTICE: If data or software is delivered pursuant to a General Services Administration “GSA” contract, use, reproduction, or disclosure is subject to restrictions set forth in Contract No. GS-35F-05925.



---

# Contents

## About this manual . . . . . iii

## Chapter 1. Safety information . . . . . 1

|  |   |
|--|---|
| General safety . . . . .   | 1 |
| Electrical safety . . . . .  | 1 |
| Safety inspection guide . . . . .  | 2 |
| Handling devices that are sensitive to electrostatic discharge . . . . . | 3 |
| Grounding requirements . . . . .   | 4 |
| Safety notices (multilingual translations) . . . . .                     | 4 |

## Chapter 2. Important service information . . . . . 21

|  |    |
|--|----|
| Strategy for replacing FRUs . . . . .  | 21 |
| Strategy for replacing a solid-state drive . . . . .                           | 21 |
| Important notice for replacing a system board . . . . .                        | 22 |
| How to use error message . . . . .   | 22 |
| Strategy for replacing FRUs for CTO, special-bid, and standard models. . . . . | 22 |
| Product definition . . . . .   | 22 |
| FRU identification . . . . .   | 22 |

## Chapter 3. General checkout . . . . . 25

|   |    |
|---|----|
| What to do first . . . . .                  | 25 |
| Checkout guide . . . . .                    | 26 |
| Diagnosing problems . . . . .               | 26 |
| Quick test programs . . . . .               | 27 |
| UEFI diagnostic program . . . . .           | 27 |
| Bootable diagnostic programs . . . . .      | 27 |
| Power system checkout . . . . .             | 28 |
| Checking the ac power adapter . . . . .     | 28 |
| Checking the operational charging . . . . . | 29 |
| Checking the battery pack . . . . .         | 29 |
| Checking the coin-cell battery . . . . .    | 30 |

## Chapter 4. Related service information . . . . . 31

|  |    |
|--|----|
| Reset or restore Windows . . . . .                     | 31 |
| Passwords. . . . .                                     | 31 |
| Power-on password . . . . .                            | 31 |
| Hard disk password . . . . .                           | 31 |
| Supervisor password . . . . .                          | 32 |
| System management password. . . . .                    | 32 |
| How to remove the power-on password . . . . .          | 32 |
| How to remove the hard disk password. . . . .          | 33 |
| How to remove the system management password . . . . . | 34 |

|                                 |    |
|---------------------------------|----|
| Power management . . . . .      | 34 |
| Sleep mode . . . . .            | 34 |
| Hibernation mode . . . . .      | 35 |
| Symptom-to-FRU index . . . . .  | 35 |
| Numeric error codes . . . . .   | 36 |
| Error messages . . . . .        | 37 |
| Beep errors. . . . .            | 37 |
| No-beep symptoms . . . . .      | 39 |
| LCD-related symptoms . . . . .  | 39 |
| Intermittent problems. . . . .  | 40 |
| Undetermined problems . . . . . | 40 |

## Chapter 5. Configuring RAID . . . . . 43

|   |    |
|---|----|
| Storage drive requirements for RAID levels . . . . .                | 43 |
| Configuring RAID with the Intel RST configuration utility . . . . . | 43 |
| Entering the Intel RST configuration utility . . . . .              | 44 |
| Creating RAID volumes . . . . .                                     | 44 |
| Deleting RAID volumes . . . . .                                     | 45 |
| Resetting storage drives to non-RAID . . . . .                      | 45 |
| Rebuilding RAID 1 volumes . . . . .                                 | 46 |

## Chapter 6. Special keys . . . . . 47

## Chapter 7. Locations . . . . . 49

|  |    |
|--|----|
| Locating computer controls, connectors, and indicators . . . . . | 49 |
| Front view . . . . .   | 49 |
| Base view . . . . .  | 50 |
| Left view . . . . .  | 50 |
| Right view . . . . .   | 51 |
| Rear view . . . . .  | 51 |
| Bottom view . . . . .  | 52 |
| Locating FRUs and CRUs . . . . .                                 | 52 |
| Major FRUs . . . . .   | 53 |
| LCD FRUs . . . . .   | 55 |
| Miscellaneous parts . . . . .                                    | 58 |
| Connector and cable guide . . . . .                              | 58 |
| Looking up FRU information . . . . .                             | 60 |

## Chapter 8. FRU replacement notices . . . . . 61

|  |    |
|--|----|
| Service tool kit . . . . .                               | 61 |
| Screw notices . . . . .                                  | 61 |
| Retaining serial numbers . . . . .                       | 62 |
| Restoring the serial number of the system unit . . . . . | 62 |
| Retaining the UUID. . . . .                              | 63 |

|  |           |  |             |
|--|-----------|--|-------------|
| Reading or writing the ECA information . . . . | 64        | 1160 Coin-cell battery . . . . .                 | 80          |
| <b>Chapter 9. Removing or replacing a</b>      |           | 1170 Trackpad and trackpad cable . . . . .       | 81          |
| <b>FRU. . . . .</b>                            | <b>65</b> | 1180 Hinge caps . . . . .                        | 82          |
| General guidelines. . . . .                    | 65        | 1190 LCD unit . . . . .                          | 83          |
| Before servicing the computer . . . . .        | 66        | 1200 Thermal fan assembly . . . . .              | 84          |
| Disable the built-in battery . . . . .         | 66        | 1210 GPU board . . . . .                         | 85          |
| Removing the nano-SIM card . . . . .           | 66        | 1220 System board . . . . .                      | 86          |
| Removing a major FRU . . . . .                 | 66        | 1230 I/O board and I/O board cable . . . . .     | 88          |
| 1010 Bottom door . . . . .                     | 67        | 1240 dc-in bracket and dc-in cable               |             |
| 1020 M.2 solid-stat drive . . . . .            | 67        | assembly . . . . .                               | 89          |
| 1030 Memory module under the bottom            |           | 1250 Chassis assembly . . . . .                  | 90          |
| door . . . . .                                 | 68        | Removing an LCD FRU for non-touch models . . . . | 91          |
| 1040 Keyboard . . . . .                        | 68        | 2010 LCD bezel assembly . . . . .                | 91          |
| 1050 Memory module bracket and memory          |           | 2020 LCD panel, LCD cable and hinge              |             |
| module under the keyboard . . . . .            | 70        | assembly . . . . .                               | 91          |
| 1060 Wireless LAN card. . . . .                | 71        | 2030 Camera/microphone module . . . . .          | 94          |
| 1070 Wireless WAN card . . . . .               | 72        | 2040 Antenna kit . . . . .                       | 96          |
| 1080 Keyboard bezel assembly. . . . .          | 72        | 2050 LCD rear cover assembly . . . . .           | 98          |
| 1090 Power button board with cable . . . . .   | 74        | Removing an LCD FRU for touch models . . . . .   | 98          |
| 1100 Fingerprint reader cable, bracket and     |           | 3010 LCD strip bezel . . . . .                   | 98          |
| board . . . . .                                | 74        | 3020 Touch panel control card . . . . .          | 99          |
| 1110 Speaker assembly. . . . .                 | 75        | 3030 LCD panel assembly, LCD cable, and          |             |
| 1120 Smart card reader and smart card reader   |           | hinge assembly . . . . .                         | 99          |
| cable . . . . .                                | 75        | 3040 Camera/microphone module . . . . .          | 101         |
| 1130 MIMO wireless-WAN antenna assembly        |           | 3050 Antenna kit . . . . .                       | 103         |
| with cable . . . . .                           | 77        | 3060 LCD rear cover assembly . . . . .           | 104         |
| 1140 Bottom cover. . . . .                     | 78        |  |             |
| 1150 Built-in battery . . . . .                | 79        | <b>Appendix A. Notices. . . . .</b>              | <b>.105</b> |

---

## About this manual

This manual contains service and reference information for the following ThinkPad® products.

|                     |                                  |
|---------------------|----------------------------------|
| ThinkPad P15 Gen 1  | Machine Types (MT) 20ST and 20SU |
| ThinkPad T15g Gen 1 | Machine Types (MT) 20UR and 20US |

Use this manual along with the advanced diagnostic tests to troubleshoot problems.

**Important:** This manual is intended only for trained service technicians who are familiar with ThinkPad products. Use this manual along with the advanced diagnostic tests to troubleshoot problems effectively. Before servicing a ThinkPad product, be sure to read all the information under Chapter 1 “Safety information” on page 1

Depending on the model, some hardware configuration and software programs might not be available on the computer. Some statements in this manual might not be applicable to the computer.





---

## Chapter 1. Safety information

This chapter presents following safety information that you need to be familiar with before you service a ThinkPad notebook computer.

- “General safety” on page 1
- “Electrical safety” on page 1
- “Safety inspection guide” on page 2
- “Handling devices that are sensitive to electrostatic discharge” on page 3
- “Grounding requirements” on page 4
- “Safety notices (multilingual translations)” on page 4

---

### General safety

Follow these rules to ensure general safety:

- Observe good housekeeping in the area of the machines during and after maintenance.
- When lifting any heavy object:
  1. Make sure that you can stand safely without slipping.
  2. Distribute the weight of the object equally between your feet.
  3. Use a slow lifting force. Never move suddenly or twist when you attempt to lift.
  4. Lift by standing or by pushing up with your leg muscles; this action removes the strain from the muscles in your back. *Do not attempt to lift any object that weighs more than 16 kg (35 lb) or that you think is too heavy for you.*
- Do not perform any action that causes hazards to the customer, or that makes the equipment unsafe.
- Before you start the machine, make sure that other service technicians and the customer's personnel are not in a hazardous position.
- Place removed covers and other parts in a safe place, away from all personnel, while you are servicing the machine.
- Keep your toolcase away from walk areas so that other people will not trip over it.
- Do not wear loose clothing that can be trapped in the moving parts of a machine. Make sure that your sleeves are fastened or rolled up above your elbows. If your hair is long, fasten it.
- Insert the ends of your necktie or scarf inside clothing or fasten it with a nonconductive clip, about 8 centimeters (3 inches) from the end.
- Do not wear jewelry, chains, metal-frame eyeglasses, or metal fasteners for your clothing.

**Attention:** Metal objects are good electrical conductors.

- Wear safety glasses when you are hammering, drilling, soldering, cutting wire, attaching springs, using solvents, or working in any other conditions that might be hazardous to your eyes.
- After service, reinstall all safety shields, guards, labels, and ground wires. Replace any safety device that is worn or defective.
- Reinstall all covers correctly before returning the machine to the customer.
- Fan louvers on the machine help to prevent overheating of internal components. Do not obstruct fan louvers or cover them with labels or stickers.

---

### Electrical safety

Observe the following rules when working on electrical equipment.

**Important:** Use only approved tools and test equipment. Some hand tools have handles covered with a soft material that does not insulate you when working with live electrical currents. Many customers have, near their equipment, rubber floor mats that contain small conductive fibers to decrease electrostatic discharges. Do not use this type of mat to protect yourself from electrical shock.

- Find the room emergency power-off (EPO) switch, disconnecting switch, or electrical outlet. If an electrical accident occurs, you can then operate the switch or unplug the power cord quickly.
- Do not work alone under hazardous conditions or near equipment that has hazardous voltages.
- Disconnect all power before:
  - Performing a mechanical inspection
  - Working near power supplies
  - Removing or installing main units
- Before you start to work on the machine, unplug the power cord. If you cannot unplug it, ask the customer to power-off the wall box that supplies power to the machine, and to lock the wall box in the off position.
- If you need to work on a machine that has *exposed* electrical circuits, observe the following precautions:
  - Ensure that another person, familiar with the power-off controls, is near you.

**Attention:** Another person must be there to switch off the power, if necessary.

- Use only one hand when working with powered-on electrical equipment; keep the other hand in your pocket or behind your back.

**Attention:** An electrical shock can occur only when there is a complete circuit. By observing the above rule, you may prevent a current from passing through your body.

- When using testers, set the controls correctly and use the approved probe leads and accessories for that tester.
- Stand on suitable rubber mats (obtained locally, if necessary) to insulate you from grounds such as metal floor strips and machine frames.

Observe the special safety precautions when you work with very high voltages; Instructions for these precautions are in the safety sections of maintenance information. Use extreme care when measuring high voltages.

- Regularly inspect and maintain your electrical hand tools for safe operational condition.
- Do not use worn or broken tools and testers.
- *Never assume* that power has been disconnected from a circuit. First, *check* that it has been powered off.
- Always look carefully for possible hazards in your work area. Examples of these hazards are moist floors, nongrounded power extension cables, power surges, and missing safety grounds.
- Do not touch live electrical circuits with the reflective surface of a plastic dental mirror. The surface is conductive; such touching can cause personal injury and machine damage.
- Do not service the following parts *with the power on* when they are removed from their normal operating places in a machine:
  - Power supply units
  - Pumps
  - Blowers and fans
  - Motor generators
  - Similar units to listed above
 This practice ensures correct grounding of the units.
- If an electrical accident occurs:
  - Use caution; do not become a victim yourself.
  - Switch off power.
  - Send another person to get medical aid.

---

## Safety inspection guide

The purpose of this inspection guide is to assist you in identifying potentially unsafe conditions. As each machine was designed and built, required safety items were installed to protect users and service technicians from injury. This guide addresses only those items. You should use good judgment to identify potential safety hazards due to attachment of non-ThinkPad features or options not covered by this inspection guide.

If any unsafe conditions are present, you must determine how serious the apparent hazard could be and whether you can continue without first correcting the problem.

Consider these conditions and the safety hazards they present:

- Electrical hazards, especially primary power (primary voltage on the frame can cause serious or fatal electrical shock)
- Explosive hazards, such as a damaged CRT face or a bulging capacitor
- Mechanical hazards, such as loose or missing hardware

To determine whether there are any potentially unsafe conditions, use the following checklist at the beginning of every service task. Begin the checks with the power off, and the power cord disconnected.

Checklist:

1. Check exterior covers for damage (loose, broken, or sharp edges).
2. Power off the computer. Disconnect the power cord.
3. Check the power cord for:
  - a. A third-wire ground connector in good condition. Use a meter to measure third-wire ground continuity for 0.1 ohm or less between the external ground pin and the frame ground.
  - b. The power cord should be the authorized type specified for your computer. Go to: <https://support.lenovo.com/partslookup>
  - c. Insulation must not be frayed or worn.
4. Check for cracked or bulging batteries.
5. Remove the cover.
6. Check for any obvious non-ThinkPad alterations. Use good judgment as to the safety of any non-ThinkPad alterations.
7. Check inside the unit for any obvious unsafe conditions, such as metal filings, contamination, water or other liquids, or signs of fire or smoke damage.
8. Check for worn, frayed, or pinched cables.
9. Check that the power-supply cover fasteners (screws or rivets) have not been removed or tampered with.

---

## Handling devices that are sensitive to electrostatic discharge

Any computer part containing transistors or integrated circuits (ICs) should be considered sensitive to electrostatic discharge (ESD.) ESD damage can occur when there is a difference in charge between objects. Protect against ESD damage by equalizing the charge so that the machine, the part, the work mat, and the person handling the part are all at the same charge.

### Notes:

1. Use product-specific ESD procedures when they exceed the requirements noted here.
2. Make sure that the ESD protective devices you use have been certified (ISO 9000) as fully effective.

When handling ESD-sensitive parts:

- Keep the parts in protective packages until they are inserted into the product.
- Avoid contact with other people.
- Wear a grounded wrist strap against your skin to eliminate static on your body.
- Prevent the part from touching your clothing. Most clothing is insulative and retains a charge even when you are wearing a wrist strap.
- Use a grounded work mat to provide a static-free work surface. The mat is especially useful when handling ESD-sensitive devices.
- Select a grounding system, such as those listed below, to provide protection that meets the specific service requirement.

**Note:** The use of a grounding system to guard against ESD damage is desirable but not necessary.  
– Attach the ESD ground clip to any frame ground, ground braid, or green-wire ground.

- When working on a double-insulated or battery-operated system, use an ESD common ground or reference point. You can use coax or connector-outside shells on these systems.
- Use the round ground prong of the ac plug on ac-operated computers.

---

## Grounding requirements

Electrical grounding of the computer is required for operator safety and correct system function. Proper grounding of the electrical outlet can be verified by a certified electrician.

---

## Safety notices (multilingual translations)

The safety notices in this section are provided in the following languages:

- English
- Arabic
- Brazilian Portuguese
- French
- German
- Hebrew
- Japanese
- Korean
- Spanish
- Traditional Chinese



### DANGER

**Before the computer is powered on after FRU replacement, make sure that all screws, springs, and other small parts are in place and are not left loose inside the computer. Verify this by shaking the computer and listening for rattling sounds. Metallic parts or metal flakes can cause electrical short circuits.**



### DANGER

**Some standby batteries contain a small amount of nickel and cadmium. Do not disassemble a standby battery, recharge it, throw it into fire or water, or short-circuit it. Dispose of the battery as required by local ordinances or regulations. Use only the battery in the appropriate parts listing. Use of an incorrect battery can result in ignition or explosion of the battery.**



### DANGER



The battery pack contains small amounts of nickel. Do not disassemble it, throw it into fire or water, or short-circuit it. Dispose of the battery pack as required by local ordinances or regulations. Use only the battery in the appropriate parts listing when replacing the battery pack. Use of an incorrect battery can result in ignition or explosion of the battery.



**DANGER**

The lithium battery can cause a fire, an explosion, or a severe burn. Do not recharge it, remove its polarized connector, disassemble it, heat it above 100°C (212°F), incinerate it, or expose its cell contents to water. Dispose of the battery as required by local ordinances or regulations. Use only the battery in the appropriate parts listing. Use of an incorrect battery can result in ignition or explosion of the battery.



**DANGER**

If the LCD breaks and the fluid from inside the LCD gets into your eyes or on your hands, immediately wash the affected areas with water for at least 15 minutes. Seek medical care if any symptoms from the fluid are present after washing.



**DANGER**

To avoid shock, do not remove the plastic cover that protects the lower part of the inverter card.



**DANGER**

Though the main batteries have low voltage, a short-circuited or grounded battery can produce enough current to burn personnel or combustible materials.



**DANGER**

Unless hot swap is allowed for the FRU being replaced, do as follows before removing it: power off the computer, unplug all power cords from electrical outlets, remove the battery pack, and disconnect any interconnecting cables.



قبل اعادة تشغيل الحاسب بعد الانتهاء من استبدال FRU، تأكد من أنه قد تم اعادة كل من المسامير و السوست وكل الأجزاء الصغيرة الأخرى في أماكنهم ولم يتم فقدم داخل الحاسب. ويمكن التحقق من ذلك عن طريق هز الحاسب والاستماع لأي صوت صاخب يصدر منه. قد تؤدي الأجزاء أو الرقائق المعدنية الى حدوث دائرة قصر.



تحتوي بعض البطاريات الاحتياطية على كمية صغيرة من مادتي النيكل والكاديوم. لا تقم بفك أو اعادة شحن البطارية الاحتياطية ولا تقم أيضا بالقائها في النار أو الماء ولا تتسبب في احداث دائرة قصر بها. قم بالتخلص من البطارية كما هو موضح في القوانين المحلية. استخدم نوع البطارية المحدد والذي يوصى باستخدامه. حيث أنه قد يؤدي استخدام نوع بطارية غير صحيح الى اشتعالها أو انفجارها.



تحتوي حزمة البطارية على كمية صغيرة من مادة النيكل. لا تقم بفكها أو القاءها في النار أو الماء ولا تتسبب في احداث دائرة قصر بها. تخلص من حزمة البطارية وفقا لما هو موضح في القوانين المحلية. قم، عند استبدال حزمة البطارية، باستخدام الأنواع المحددة فقط والتي يوصى باستخدامها. حيث أنه قد يؤدي استخدام نوع بطارية غير صحيح الى اشتعالها أو انفجارها.



قد تتسبب بطارية الليثيوم في حدوث حريق أو انفجار أو حدوث حروق شديدة. لا تقم باعادة شحن البطارية أو ازالة موصل الاستقطاب الخاص بها ولا تحاول أيضا فكها أو تسخينها لأكثر من ١٠٠ درجة مئوية (٢١٢١ فهرنهايت) أو حرقها أو تعريض محتويات الخانة الخاصة بها للماء. قم بالتخلص من البطارية وفقا لما هو موضح في القوانين المحلية. استخدم نوع البطارية المحدد والذي يوصى باستخدامه. حيث أنه قد يؤدي استخدام نوع بطارية غير صحيح الى اشتعالها أو انفجارها.



خطر

إذا ما انكسرت شاشة LCD ولامس السائل الداخلي عينيك أو يديك، قم في الحال بغسلهما بالماء لمدة لا تقل عن ١٥ دقيقة. إذا ما وجدت أي أعراض بعد الغسل اطلب عندئذ المساعدة الطبية.



خطر

لتجنب التعرض لأي صدمات، لا تقم بإزالة الغطاء البلاستيكي الذي يحمي الجزء الأسفل من بطاقة العاكس.



خطر

على الرغم من أن البطاريات الرئيسية يكون لها جهد منخفض، إلا أنه قد تقوم البطاريات التي حدث قصور بها أو التي تم توصيلها أرضيا بإصدار تيار يكفي لحدوث حروق للأفراد أو تعرض المواد القابلة للاشتعال للحريق.



خطر

ما لم يتم السماح بالتبديل الفوري لأي FRU الجاري استبداله بدون ضرورة اغلاق النظام، قم بتنفيذ ما يلي قبل ازالته. قم بإيقاف تشغيل الحاسب ونزع كل أسلاك الطاقة من المخارج الكهربائية وقم أيضا بإزالة حزمة البطارية ثم قم بفصل أي كابلات متصلة.



PERIGO

Antes de ligar o computador após a substituição da FRU, certifique-se de que todos os parafusos, molas e outras peças pequenas estejam no lugar e não estejam soltos dentro do computador. Verifique isso sacudindo o computador e procurando ouvir sons de peças soltas. Peças metálicas ou lascas de metal podem causar curto-circuito.



PERIGO

Algumas baterias reserva contêm uma pequena quantidade de níquel e cádmio. Não desmonte uma bateria reserva, recarregue-a, jogue-a no fogo ou na água, ou deixe-a entrar em curto-circuito. Descarte a bateria conforme requerido pelas leis ou regulamentos locais. Use somente a bateria nas partes listadas apropriadas. O uso de uma bateria incorreta pode resultar em combustão ou explosão da bateria.



#### PERIGO

O pacote da bateria contém uma pequena quantidade de níquel. Não o desmonte, jogue-o no fogo ou na água, ou deixe-o entrar em curto-circuito. Descarte o pacote da bateria conforme requerido pelas leis ou regulamentos locais. Use somente a bateria nas partes listadas apropriadas ao substituir o pacote da bateria. O uso de uma bateria incorreta pode resultar em combustão ou explosão da bateria.



#### PERIGO

A bateria de lítio pode causar incêndio, explosão ou graves queimaduras. Não a recarregue, remova seu conector polarizado, desmonte-a, aqueça-a acima de 100°C (212°F), incinere-a, ou exponha o conteúdo de sua célula à água. Descarte a bateria conforme requerido pelas leis ou regulamentos locais. Use somente a bateria nas partes listadas apropriadas. O uso de uma bateria incorreta pode resultar em combustão ou explosão da bateria.



#### PERIGO

Se o LCD quebrar e o fluido de dentro dele entrar em contato com seus olhos ou com suas mãos, lave as áreas afetadas imediatamente com água durante pelo menos 15 minutos. Procure cuidados médicos se algum sintoma causado pelo fluido surgir após a lavagem.



#### PERIGO

Para evitar choque elétrico, não remova a capa plástica que protege a parte inferior da placa inversora.



#### PERIGO



Embora as principais baterias possuam baixa voltagem, uma bateria em curto-circuito ou aterrada pode produzir corrente o bastante para queimar materiais de pessoal ou inflamáveis.



## PERIGO

A menos que uma hot swap seja permitida para a FRU que está sendo substituída, faça o seguinte antes de removê-la: desligue o computador, desconecte todos os cabos de energia das tomadas, remova o pacote de baterias e desconecte quaisquer cabos de interconexão.



## DANGER

Avant de remettre l'ordinateur sous tension après remplacement d'une unité en clientèle, vérifiez que tous les ressorts, vis et autres pièces sont bien en place et bien fixées. Pour ce faire, secouez l'unité et assurez-vous qu'aucun bruit suspect ne se produit. Des pièces métalliques ou des copeaux de métal pourraient causer un court-circuit.



## DANGER

Certaines batteries de secours contiennent du nickel et du cadmium. Ne les démontez pas, ne les rechargez pas, ne les exposez ni au feu ni à l'eau. Ne les mettez pas en court-circuit. Pour les mettre au rebut, conformez-vous à la réglementation en vigueur. Lorsque vous remplacez la pile de sauvegarde ou celle de l'horloge temps réel, veillez à n'utiliser que les modèles cités dans la liste de pièces détachées adéquate. Une batterie ou une pile inappropriée risque de prendre feu ou d'exploser.



## DANGER

La batterie contient du nickel. Ne la démontez pas, ne l'exposez ni au feu ni à l'eau. Ne la mettez pas en court-circuit. Pour la mettre au rebut, conformez-vous à la réglementation en vigueur. Lorsque vous remplacez la batterie, veillez à n'utiliser que les modèles cités dans la liste de pièces détachées adéquate. En effet, une batterie inappropriée risque de prendre feu ou d'exploser.



## DANGER

La pile de sauvegarde contient du lithium. Elle présente des risques d'incendie, d'explosion ou de brûlures graves. Ne la rechargez pas, ne retirez pas son connecteur polarisé et ne la démontez pas. Ne l'exposez pas à une température supérieure à 100°C, ne la faites pas brûler et n'en exposez pas le contenu à l'eau. Mettez la pile au rebut conformément à la réglementation en vigueur. Une pile inappropriée risque de prendre feu ou d'exploser.



## DANGER

Si le panneau d'affichage à cristaux liquides se brise et que vous recevez dans les yeux ou sur les mains une partie du fluide, rincez-les abondamment pendant au moins quinze minutes. Consultez un médecin si des symptômes persistent après le lavage.



## DANGER

Afin d'éviter tout risque de choc électrique, ne retirez pas le cache en plastique protégeant la partie inférieure de la carte d'alimentation.



## DANGER

Bien que le voltage des batteries principales soit peu élevé, le court-circuit ou la mise à la masse d'une batterie peut produire suffisamment de courant pour brûler des matériaux combustibles ou causer des brûlures corporelles graves.



## DANGER

Si le remplacement à chaud n'est pas autorisé pour l'unité remplaçable sur site que vous remplacez, procédez comme suit avant de retirer l'unité : mettez l'ordinateur hors tension, débranchez tous les cordons d'alimentation des prises de courant, retirez le bloc de batterie et déconnectez tous les câbles d'interconnexion.



## VORSICHT

Bevor nach einem FRU-Austausch der Computer wieder angeschlossen wird, muß sichergestellt werden, daß keine Schrauben, Federn oder andere Kleinteile fehlen oder im Gehäuse vergessen wurden. Der Computer muß geschüttelt und auf Klappergeräusche geprüft werden. Metallteile oder-splitter können Kurzschlüsse erzeugen.



#### VORSICHT

Die Bereitschaftsbatterie, die sich unter dem Diskettenlaufwerk befindet, kann geringe Mengen Nickel und Cadmium enthalten. Sie darf nur durch die Verkaufsstelle oder den IBM Kundendienst ausgetauscht werden. Sie darf nicht zerlegt, wiederaufgeladen, kurzgeschlossen, oder Feuer oder Wasser ausgesetzt werden. Die Batterie kann schwere Verbrennungen oder Verätzungen verursachen. Bei der Entsorgung die örtlichen Bestimmungen für Sondermüll beachten. Beim Ersetzen der Bereitschafts- oder Systembatterie nur Batterien des Typs verwenden, der in der Ersatzteilliste aufgeführt ist. Der Einsatz falscher Batterien kann zu Entzündung oder Explosion führen.



#### VORSICHT

Akkus enthalten geringe Mengen von Nickel. Sie dürfen nicht zerlegt, wiederaufgeladen, kurzgeschlossen, oder Feuer oder Wasser ausgesetzt werden. Bei der Entsorgung die örtlichen Bestimmungen für Sondermüll beachten. Beim Ersetzen der Batterie nur Batterien des Typs verwenden, der in der Ersatzteilliste aufgeführt ist. Der Einsatz falscher Batterien kann zu Entzündung oder Explosion führen.



#### VORSICHT

Die Systembatterie ist eine Lithiumbatterie. Sie kann sich entzünden, explodieren oder schwere Verbrennungen hervorrufen. Batterien dieses Typs dürfen nicht aufgeladen, zerlegt, über 100°C erhitzt oder verbrannt werden. Auch darf ihr Inhalt nicht mit Wasser in Verbindung gebracht oder der zur richtigen Polung angebrachte Verbindungsstecker entfernt werden. Bei der Entsorgung die örtlichen Bestimmungen für Sondermüll beachten. Beim Ersetzen der Batterie nur Batterien des Typs verwenden, der in der Ersatzteilliste aufgeführt ist. Der Einsatz falscher Batterien kann zu Entzündung oder Explosion führen.



#### VORSICHT

Die Leuchtstoffröhre im LCD-Bildschirm enthält Quecksilber. Bei der Entsorgung die örtlichen Bestimmungen für Sondermüll beachten. Der LCD-Bildschirm besteht aus Glas und kann zerbrechen, wenn er unsachgemäß behandelt wird oder der Computer auf den Boden fällt. Wenn der Bildschirm beschädigt ist und die darin befindliche Flüssigkeit in Kontakt mit Haut und Augen gerät, sollten die betroffenen Stellen mindestens 15 Minuten mit Wasser abgespült und bei Beschwerden anschließend ein Arzt aufgesucht werden.



#### VORSICHT

Aus Sicherheitsgründen die Kunststoffabdeckung, die den unteren Teil der Spannungswandlerplatine umgibt, nicht entfernen.



#### VORSICHT

Obwohl Hauptbatterien eine niedrige Spannung haben, können sie doch bei Kurzschluß oder Erdung genug Strom abgeben, um brennbare Materialien zu entzünden oder Verletzungen bei Personen hervorzurufen.



#### VORSICHT

Wenn ein Austausch der FRU bei laufendem Betrieb nicht erlaubt ist, gehen Sie beim Austausch der FRU wie folgt vor: Schalten Sie den Computer aus, ziehen Sie alle Netzkabel von den Netzsteckdosen ab, entfernen Sie den Akku und ziehen Sie alle miteinander verbundenen Kabel ab.



סכנה

לפני הפעלת המחשב לאחר החלפת FRU יש לוודא שכל תברגים, חקפיצים, וחלקים קטנים אחרים נמצאים במקומם ואינם חופשיים לזוז בתוך המחשב. כדי לוודא זאת, יש לטלטל את המחשב ולחקשיב לגילוי קולות שקשוק. חלקי או שבבי מתכת עלולים לגרום לקצרים חשמליים.



סכנה

סוללות המתנה מסוימות מכילות כמוט קטנה של ניקל וקדמיום. אין לפרק סוללות המתנה, לטעון אותה מחדש, להשליך אותה לאש או למים או לקצר אותה. יש לסלק את הסוללה בנדרש על ידי התקנות והחוקים המקומיים. יש להשתמש רק בסוללה המומלעת ברימת החלקים המתאימה. שימוש בסוללה לא מתאימה עלול לגרום לחצתה או התפוצצות של הסוללה.





סכנה

מארז הסוללה מכיל כמות קטנה של ניקל וקדמיום. אין לפרק את מארז הסוללה, להשליך אותו לאש או למים או לקצר אותו. יש לסלק את מארז הסוללה הסוללה כנדרש על ידי התקנות והחוקים המקומיים. יש להשתמש רק בסוללה המופיעה ברשימת החלקים המתאימה בזמן החלפת מארז הסוללה. שימוש בסוללה לא מתאימה עלול לגרום להצתה או התפוצצות של הסוללה.



סכנה

סוללת הליתיום עלולה לגרום לשריפה, להתפוצצות או לכוויות קשות. אין לטעון אותה מחדש, לסלק את המחובר המקוטב שלה, לפרק אותה או לחמם אותה לטמפרטורה העולה על 100 מעלות צלזיוס. אין לשרוף את הסוללה ואין לחשוף את תוכן התא למים. יש לסלק את הסוללה כנדרש בתקנות ובחוקים המקומיים. יש להשתמש רק בסוללה המופיעה ברשימת החלקים המתאימים. שימוש בסוללה אחרת עלול לגרום לסכנת שריפה או התפוצצות.



סכנה

אם מסך חגביש הנוזלי (LCD) נשבר והנוזל מתוך המסך בא במגע עם עיניכם או ידיכם, שטפו את האזורים הנוגעים מיד במים במשך 15 דקות לפחות. פנו לקבלת עזרה רפואית אם תסמינים הנובעים מחמגע עם הנוזל נמשכים לאחר השטיפה.



סכנה

כדי למנוע התחשמלות, אין להסיר את מכסה הפלסטיק המגן על חלקו התחתון של הכרטיס ההפוך.



סכנה

אף שהסוללות הראשיות הן בעלות מתח נמוך, סוללה מקוצרת או מוארכת עלולה להפיק זרם מספיק לגרימת כוויות או להצתת חומרים דליקים.



סכנה

אלא אם כן מותרת 'החלפה חמה' של ה-FRU המוחלף, פעלו כדלהלן לפני הסרתו: כבו את המחשב, נתקו את כל כבלי החשמל מהשקעים, חוציאו את מארז הסוללות ונתקו את כל הכבלים המחוברים.



危険

FRUの交換後、ThinkPadの電源を入れる前に、ねじ、パネ、その他の小さな部品がすべて正しい位置にあり、またThinkPadの内部で緩んでいないことを確認してください。

これを確認するには、ThinkPadを振って、カチャカチャと音がしないか確かめめず。金属部品や金属破片はショートの原因になることがあります。



危険

予備バッテリーの中には少量のニッケルとカドミウムが含まれているものがあります。したがって、予備バッテリーの分解、再充電、火または水の中への投棄、またはショートさせることは決して行わないでください。バッテリーを廃棄する場合は地方自治体の条例に従ってください。適切なパーツ・リストにあるバッテリーだけを使用してください。誤ったバッテリーを使用すると、バッテリーが発火したり、爆発したりすることがあります。



危険

バッテリー・パックには少量のニッケルが含まれています。バッテリー・パックを分解したり、火または水の中に投げ込んだり、ショートさせないでください。バッテリー・パックの廃棄にあたっては、地方自治体の条例または規則に従ってください。バッテリー・パックを交換するときは、適切なパーツ・リストにあるバッテリーだけを使用してください。誤ったバッテリーを使用すると、バッテリーが発火したり、爆発したりすることがあります。



危険

リチウム・バッテリーは、火災、爆発、または重症のやけどを引き起こすことがあります。バックアップ・バッテリーの充電、その極性コネクターの取り外し、バッテリー本体の分解、100 °C (212 °F) 以上への加熱、焼却、電池の中身を水に浸すことはしないでください。バッテリーを廃棄する場合は地方自治体の条例に従ってください。適切なパーツ・リストにあるバッテリーだけを使用してください。誤ったバッテリーを使用すると、バッテリーが発火したり、爆発したりすることがあります。



危険

LCDが破損し、LCDの中の液体が目に入ったり、手に触れたりした場合は、液体が触れた部分を少なくとも15分間洗い流してください。洗い流した後に、液体によって何らかの症状が現れた場合は、医師の治療を受けてください。



危険

感電を防ぐため、インバーター・カードの下部を保護しているプラスチック・カバーを外さないでください。



## 危険

メイン・バッテリーの電圧は低くても、ショートしたり、接地したバッテリーが、作業者にやけどを負わせたり、可燃物を燃やすだけの電流を発生させる場合があります。



## 危険

交換しようとしている FRU がホット・スワップに対応していない場合、それを取り外す前に、コンピューターの電源をオフにし、すべての電源コードをコンセントから抜き、バッテリー・パックを取り外して、相互接続しているケーブルをすべて切り離してください。



## 위험

FRU를 교체하고 나서 컴퓨터 전원을 켜기 전에 모든 나사, 스프링 및 기타 작은 부품들이 올바른 위치에 있는지, 컴퓨터 내부에 단단하게 연결되어 있는지 확인하십시오. 컴퓨터를 흔들어 달각거리는 소리가 나지 않는지 확인하십시오. 금속 부품 또는 금속 조각은 누전을 일으킬 수 있습니다.



## 위험

일부 보조 배터리에는 소량의 니켈 및 카드뮴이 포함되어 있습니다. 보조 배터리를 분해하거나, 다시 충전하거나, 불 또는 물에 던지거나, 단락시키지 마십시오. 배터리 팩을 폐기할 때에는 해당 지역의 법률 규정을 따르십시오. 배터리 팩을 교체할 때에는 올바른 배터리만 사용하십시오. 올바르지 않은 배터리를 사용하면 배터리가 발화되거나 폭발할 수 있습니다.



## 위험

배터리 팩에는 소량의 니켈이 포함되어 있습니다. 배터리 팩을 분해하거나, 불 또는 물에 던지거나, 단락시키지 마십시오. 배터리 팩을 폐기할 때에는 해당 지역의 법률 규정을 따르십시오. 배터리 팩을 교체할 때에는 올바른 배터리만 사용하십시오. 올바르지 않은 배터리를 사용하면 배터리가 발화되거나 폭발할 수 있습니다.



## 위험

리튬 배터리는 화재, 폭발 또는 심각한 화상을 일으킬 수 있습니다. 리튬 배터리를 다시 충전하거나, 극성 커넥터를 제거하거나, 분해하거나, 100C(212F) 이상으로 가열하거나, 소각하거나, 전지 내용물을 물에 노출시키지 마십시오. 배터리를 폐기할 때에는 해당 지역을 법률 규정을 따르십시오. 올바른 배터리만 사용하십시오. 올바르게 사용하지 않은 배터리를 사용하면 배터리가 발화되거나 폭발할 수 있습니다.



위험

LCD가 파손되어 LCD 내부의 액체가 눈에 들어가거나 손에 묻으면 즉시 깨끗한 물로 15분 이상 닦아 내십시오. 씻은 후에 조금이라도 이상을 느끼면 즉시 병원에 가서 의사의 진찰을 받아야 합니다.



위험

전기적 위험을 방지하려면 인버터 카드의 아래 부분을 보호하는 플라스틱 덮개를 제거하지 마십시오.



위험

기본 배터리의 전압은 낮지만, 단락되거나 접지된 배터리는 화상을 입히기에 충분한 전류와 가연성 물질을 발생시킬 수 있습니다.



위험

FRU 교체 시 Hot Swap이 지원되지 않는 경우, FRU를 제거하기 전에 컴퓨터의 전원을 끄고, 전기 콘센트에서 전원 코드를 분리하고, 배터리를 제거한 후, 연결된 모든 케이블을 분리하십시오.



PELIGRO

**Antes de encender el sistema después de sustituir una FRU, compruebe que todos los tornillos, muelles y demás piezas pequeñas se encuentran en su sitio y no se encuentran sueltas dentro del sistema. Compruébelo agitando el sistema y escuchando los posibles ruidos que provocarían. Las piezas metálicas pueden causar cortocircuitos eléctricos.**



PELIGRO

Algunas baterías de reserva contienen una pequeña cantidad de níquel y cadmio. No las desmonte, ni recargue, ni las eche al fuego o al agua ni las cortocircuite. Deséchelas tal como dispone la normativa local. Utilice sólo baterías que se encuentren en la lista de piezas. La utilización de una batería no apropiada puede provocar la ignición o explosión de la misma.



**PELIGRO**

Las baterías contienen pequeñas cantidades de níquel. No las desmonte, ni recargue, ni las eche al fuego o al agua ni las cortocircuite. Deséchelas tal como dispone la normativa local. Utilice sólo baterías que se encuentren en la lista de piezas al sustituir la batería. La utilización de una batería no apropiada puede provocar la ignición o explosión de la misma.



**PELIGRO**

La batería de repuesto es una batería de litio y puede provocar incendios, explosiones o quemaduras graves. No la recargue, ni quite el conector polarizado, ni la desmonte, ni caliente por encima de los 100°C (212°F), ni la incinere ni exponga el contenido de sus celdas al agua. Deséchela tal como dispone la normativa local.



**PELIGRO**

Si la LCD se rompe y el fluido de su interior entra en contacto con sus ojos o sus manos, lave inmediatamente las áreas afectadas con agua durante 15 minutos como mínimo. Obtenga atención médica si se presenta algún síntoma del fluido después de lavarse.



**PELIGRO**

Para evitar descargas, no quite la cubierta de plástico que rodea la parte baja de la tarjeta invertida.



**PELIGRO**

Aunque las baterías principales tienen un voltaje bajo, una batería cortocircuitada o con contacto a tierra puede producir la corriente suficiente como para quemar material combustible o provocar quemaduras en el personal.



## PELIGRO

Salvo que se permita el intercambio en caliente para la unidad sustituible localmente, realice lo siguiente antes de extraerla: apague el sistema, desconecte todos los cables de alimentación de las tomas de alimentación eléctrica, extraiga la batería y desconecte los cables de interconexión.



## 危險

完成 FRU 更換之後，在開啟電腦的電源之前，請確定所有螺絲、彈簧及其他小零件都已歸位，沒有遺留在電腦內部。若要確認這一點，請搖晃電腦，聽聽看是否有卡嗒的聲音。金屬零件或儀錶的火花會造成電線短路。



## 危險

部分備用電池含有微量的鎳和鎘。請勿拆開備用電池、再充電、丟入火或水中，或使其形成短路。請按照當地法令或規定來棄置電池。僅限使用零件清單中的電池。使用不適當的電池會導致電池起火或爆炸。



## 危險

電池套件含有微量的鎳。請勿拆開電池套件、丟入火或水中，或使其形成短路。請按照當地法令或規定來棄置電池套件。更換電池套件時，僅限使用零件清單中的電池。使用不適當的電池會導致電池起火或爆炸。



## 危險

鋰電池會導致起火、爆炸或嚴重燒傷。請勿再充電、拔除其電極接頭、拆開、加熱超過 100°C (212°F)、焚燒，或讓電池組成物浸到水。請按照當地法令或規定來棄置電池。僅限使用零件清單中的電池。使用不適當的電池會導致電池起火或爆炸。



## 危險

如果 LCD 破裂導致 LCD 流出的液體沾到您的眼睛或手，請立即以清水沖洗沾染部位至少 15 分鐘。如果在清洗後出現該液體所造成的任何症狀，請就醫治療。



危險

為避免電擊，請勿拆下轉換卡下面的塑膠護蓋。



危險

雖然主電池的電壓很低，但短路或接地電池所產生的電流，仍足以使人燒傷或使可燃物質起火。



危險

除非 FRU 允許以熱抽換來替換，否則請依下列方式將其移除：將電腦關機，拔除插座上所有電源線，移除電池包，並拔開任何交互連接的線材。





---

## Chapter 2. Important service information

This chapter introduces following important service information that applies to all machine types supported by this manual:

- “Strategy for replacing FRUs” on page 21
  - “Strategy for replacing a solid-state drive” on page 21
  - “Important notice for replacing a system board” on page 22
  - “How to use error message” on page 22
- “Strategy for replacing FRUs for CTO, special-bid, and standard models” on page 22
  - “Product definition” on page 22
  - “FRU identification” on page 22

### Important:

- Advise customers to contact the Lenovo® Customer Support Center if they need any assistance in obtaining or installing any software fixes, drivers, and UEFI BIOS downloads. Telephone numbers for Lenovo Support are available at: <https://pcsupport.lenovo.com/supportphonenumber>
- System Disassembly/Reassembly videos that show the FRU removals or replacements for the Lenovo authorized service technicians are available in the following support site: <https://www.lenovoservicetraining.com/ion/>

---

## Strategy for replacing FRUs

### Before replacing parts:

Ensure that all software fixes, drivers, and UEFI BIOS downloads are installed before replacing any FRUs listed in this manual.

After a system board is replaced, ensure that the latest UEFI BIOS is loaded to the system board before completing the service action.

To download software fixes, drivers, and UEFI BIOS, go to <https://support.lenovo.com> and follow the instructions on the screen.

Use the following strategy to prevent unnecessary expense for replacing and servicing FRUs:

- If you are instructed to replace a FRU but the replacement does not correct the problem, reinstall the original FRU before you continue.
- Some computers have both a processor board and a system board. If you are instructed to replace either the processor board or the system board, and replacing one of them does not correct the problem, reinstall that board, and then replace the other one.
- If an adapter or a device consists of more than one FRU, any of the FRUs may be the cause of the error. Before replacing the adapter or device, remove the FRUs, one by one, to see if the symptoms change. Replace only the FRU that changed the symptoms.

## Strategy for replacing a solid-state drive

Always try to run a low-level format before replacing a solid-state drive. This will cause all customer data on the drive to be lost. Be sure that the customer has a current backup of the data before doing this task.

**Attention:** The drive startup sequence in the computer you are servicing may have been changed. Be extremely careful during write operations such as copying, saving, or formatting. If you select an incorrect drive, data or programs can be overwritten.

## Important notice for replacing a system board

Some components mounted on a system board are very sensitive. Improper handling of a system board can cause damage to those components, and may cause a system malfunction.

**Attention:** When handling a system board:

- Do not drop a system board or apply any excessive force to it.
- Avoid rough handling of any kind.
- Avoid bending a system board and hard pushing to prevent cracking at each BGA (Ball Grid Array) chipset.

## How to use error message

Use the error codes displayed on the screen to diagnose failures. If more than one error code is displayed, begin the diagnosis with the first error code. Whatever causes the first error code may also cause false error codes. If no error code is displayed, see whether the error symptom is listed in the Symptom-to-FRU Index for the computer you are servicing.

---

## Strategy for replacing FRUs for CTO, special-bid, and standard models

This topic provides information about the model types and FRU identification.

### Product definition

This topic introduces different model types and how to identify each type.

#### Dynamic Configure To Order (CTO) model

This model provides the ability for a customer to configure a Lenovo solution from a Web Site, and have this configuration sent to fulfillment, where it is built and shipped directly to the customer. The machine label and eSupport will load these products as the 4-character MT, 4-character model, and 2-character country code. The model is “CTO1” and the default country code is “WW” (example: 20AACTO1WW).

#### Special-bid model

This is a unique configuration that has been negotiated between Lenovo and the customer. A unique MTM consists of a 4-character MT, a 4-character model, and a numeric 2-character country code is provided to the customer to place orders (example: 20AA000955). The country code assigned is numeric and does not designate a specific country or region. The custom model factsheet for the MTM indicates which country the special bid MTM is set up for. Special-bid offering is not generally announced.

#### Standard model

Standard models (fixed configuration) are announced and offered to all customers. The MTM portion of the machine label consists of a 4-character MT, a 4-character model, and an alphabetic 2-character country code. The country code assigned is alphabetic and represents a designated country or region (example: 20AA0009UK).

## FRU identification

Use Lenovo eSupport to identify major FRUs, FRU part numbers, and FRU descriptions for a product at an MT - serial number level. Examples of major FRUs are hard disk drive, system board, liquid crystal display (LCD), and memory module.

To identify FRUs for a product, do the following:

1. Go to:  
<https://support.lenovo.com/partslookup>

2. Type the Machine Type in the corresponding field to get a general FRU list. Or type the Serial Number for more detailed FRU information.



---

## Chapter 3. General checkout

This chapter introduces following information:

- “What to do first” on page 25
- “Checkout guide” on page 26
  - “Diagnosing problems” on page 26
  - “Quick test programs” on page 27
  - “UEFI diagnostic program” on page 27
  - “Bootable diagnostic programs” on page 27
- “Power system checkout” on page 28

Before you go to the checkout guide, be sure to read the following important notes.

### Important notes:

- **Only certified trained personnel should service the computer.**
- **Before replacing any FRU, read the entire page on removing and replacing FRUs.**
- **When you replace FRUs, it is recommended use new nylon-coated screws.**
- **Be extremely careful during such write operations as copying, saving, or formatting.** The sequence of the drives in the computer that you are servicing might have been altered. If you select an incorrect drive, data or programs might be overwritten.
- **Replace a FRU only with another FRU of the correct model.** When you replace a FRU, ensure that the model of the machine and the FRU part number are correct by referring to the web site: <https://support.lenovo.com/partslookup>
- **A FRU should not be replaced because of a single, unreproducible failure.** Single failures can occur for a variety of reasons that have nothing to do with a hardware defect, such as cosmic radiation, electrostatic discharge, or software errors. Consider replacing a FRU only when a problem recurs. If you suspect that a FRU is defective, clear the error log and run the test again. If the error does not recur, do not replace the FRU.
- **Be careful not to replace a nondefective FRU.**

---

## What to do first

When you return a FRU, you must include the following information in the parts exchange form or parts return form that you attach to it:

1. Name and phone number of service technician
2. Date of service
3. Date on which the machine failed
4. Date of purchase
5. Failure symptoms, error codes appearing on the display, and beep symptoms
6. Procedure index and page number in which the failing FRU was detected
7. Failing FRU name and part number
8. Machine type, model number, and serial number
9. Customer's name and address

**Note:** During the warranty period, the customer may be responsible for repair costs if the computer damage was caused by misuse, accident, modification, unsuitable physical or operating environment, or improper maintenance by the customer. Following is a list of some common items that are not covered under warranty and some symptoms that might indicate that the system was subjected to stress beyond normal use.

Before checking problems with the computer, determine whether the damage is covered under the warranty by referring to the following list:

**The following are not covered under warranty:**

- LCD panel cracked from the application of excessive force or from being dropped
- Scratched (cosmetic) parts
- Distortion, deformation, or discoloration of the cosmetic parts
- Plastic parts, latches, pins, or connectors that have been cracked or broken by excessive force
- Damage caused by liquid spilled into the system
- Damage caused by the improper insertion of a personal-computer card (PC card) or the installation of an incompatible card
- Improper disc insertion or use of an optical drive
- Fuses blown by attachment of a nonsupported device
- Forgotten computer password (making the computer unusable)
- Sticky keys caused by spilling a liquid onto the keyboard
- Use of an incorrect ac power adapter on laptop products

**The following symptoms might indicate damage caused by nonwarranted activities:**

- Missing parts might be a symptom of unauthorized service or modification.
- Check for obvious damage to a hard disk drive. If the spindle of a hard disk drive becomes noisy, the hard disk drive might have been dropped or subject to excessive force.

---

## Checkout guide

Use the following procedures as a guide in identifying and correcting problems with the ThinkPad notebook computers.

**Note:** The diagnostic tests are intended to test only ThinkPad products. The use of non-ThinkPad products, prototype cards, or modified options can lead to false indications of errors and invalid system responses.

1. Identify the failing symptoms in as much detail as possible.
2. Verify the symptoms. Try to re-create the failure by running the diagnostic test or by repeating the operation.

## Diagnosing problems

Many computer problems can be solved without outside assistance. If you experience a problem with your computer, the first place to start is the troubleshooting information in your computer documentation. If you suspect a software problem, see the documentation, including readme files and help information systems, that come with the operating system or program. ThinkPad notebook computers come with a set of diagnostic programs that you can use to help you identify hardware problems.

### Diagnosing problems with Lenovo Vantage on the Windows 10 operating system

**Note:** If you are unable to isolate and repair the problem yourself after running Lenovo Vantage, save and print the log files created by the program. You need the log files when you speak to a Lenovo technical support representative.

Lenovo Vantage supports the hardware scan function. It combines diagnostic tests, system information collection, security status, and support information, along with hints and tips for optimal system performance.

The troubleshooting information or the diagnostic programs might tell you that you need additional or updated device drivers or other software. You can get the latest technical information and download device drivers and updates from the Lenovo Support Web site at:

<https://support.lenovo.com>

For additional information, see the Lenovo Vantage help system.

## Quick test programs

Lenovo provides quick test programs to troubleshoot and resolve computer problems.

To download and install a quick test program, go to <https://www.lenovo.com/diags>, and follow the instructions on the Web site.

To run a test using quick test program, do the following:

1. Go to the C:\SWTOOLS\ldiag directory.
2. Double-click the lsc\_lite.exe file.
3. When the **User Account Control** window opens, click **Yes**.
4. Select the device class to be tested.
5. Select the devices to be tested.
6. Select the test to be performed.
7. Follow the instructions on the screen to start the test. When a problem is detected, information messages are displayed. Refer to the messages to troubleshoot the problem.

## UEFI diagnostic program

A UEFI diagnostic program is preinstalled on the computer. It enables you to test memory modules and internal storage devices, view system information, and check and recover bad sectors on internal storage devices.

To run the UEFI diagnostic program, do the following:

1. Turn on the computer. If the computer cannot be turned on, go to “Power system checkout” on page 28, and check the power sources. If an error code is displayed, go to “Symptom-to-FRU index” on page 35 for error code descriptions and troubleshooting hints.
2. When the logo screen is displayed, repeatedly press and release the F10 key. The main screen of the UEFI diagnostic program is displayed.
3. Follow the instructions on the screen to use the diagnostic program.

## Bootable diagnostic programs

If the computer you are servicing is not installed with the UEFI diagnostic program, you can download a bootable diagnostic program from the Lenovo Support Web site. The bootable diagnostic programs enable you to test computer memory and internal storage devices, view system information, and check and recover the internal storage devices. To use the bootable diagnostic programs, you can create a bootable diagnostic medium on a USB device or CD.

To create a bootable diagnostic medium, do the following:

1. Go to <https://www.lenovo.com/diags>.
2. Click **Lenovo Bootable Diagnostics**.
3. Follow the instructions on the Web site to create a bootable diagnostic medium on a USB device or CD.

To use the diagnostic medium you have created, do one of the following:

- If you have created the bootable diagnostic medium on a USB device, do the following:

1. Attach the USB device to the computer.
  2. Turn on the computer. If the computer cannot be turned on, go to “Power system checkout” on page 28, and check the power sources. If an error code is displayed, go to “Symptom-to-FRU index” on page 35 for error code descriptions and troubleshooting hints.
  3. When the logo screen is displayed, repeatedly press and release the F12 key. When the Boot Menu window opens, release the F12 key.
  4. Use the arrow keys to select **USB HDD** and then press Enter. The diagnostic program will be launched automatically.
  5. Follow the instructions on the screen to use the diagnostic program.
- If you have created the bootable diagnostic medium on a CD, do the following:
    1. Turn on the computer. If the computer cannot be turned on, go to “Power system checkout” on page 28, and check the power sources. If an error code is displayed, go to “Symptom-to-FRU index” on page 35 for error code descriptions and troubleshooting hints.
    2. Insert the CD into the optical drive.
    3. Restart the computer.
    4. When the logo screen is displayed, repeatedly press and release the F12 key. When the Boot Menu window opens, release the F12 key.
    5. Use the arrow keys to select **ATAPI CDx** (x: 0, 1, ...) and then press Enter. The diagnostic program will be launched automatically.
    6. Follow the instructions on the screen to use the diagnostic program.
- 

## Power system checkout

To verify if a battery pack or an ac power adapter is functional, do the following:

1. Turn off the computer.
2. Connect the ac power adapter.
3. Turn on the computer. If the computer can be turned on, it means that either the battery pack or the ac power adapter is functional.
4. Insert a straightened paper clip into the emergency reset hole to reset the computer. If the computer is still powered on, it means that the ac power adapter is functional.
5. Turn off the computer.
6. Disconnect the ac power adapter and turn on the computer. If the computer can be turned on, it means that the battery pack is functional.

If you suspect a power problem, see the appropriate one of the following power supply checkouts:

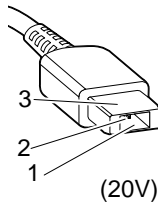
- “Checking the ac power adapter” on page 28
- “Checking the operational charging” on page 29
- “Checking the coin-cell battery” on page 30

## Checking the ac power adapter

To check the ac power adapter, do the following:

1. Unplug the ac power adapter cable from the computer.
2. Measure the output voltage at the plug of the ac power adapter cable. See the following illustration:





| Pin | Voltage (V dc) |
|-----|----------------|
| 1   | +20            |
| 2   | 0              |
| 3   | Ground         |

**Note:** Output voltage of pin 2 of the ac power adapter might differ from the one you are servicing.

3. If the voltage is not correct, replace the ac power adapter.
4. If the voltage is acceptable, replace the system board.

**Note:** Noise from the ac power adapter does not always indicate a defect.

If the computer does not charge during operation, go to “Checking the operational charging” on page 29.

## Checking the operational charging

This computer supports only batteries specially designed for this specific system and manufactured by Lenovo or an authorized builder. The system does not support unauthorized batteries or batteries designed for other systems. If an unauthorized battery or a battery designed for another systems is installed, the system will not charge.

**Attention:** Lenovo has no responsibility for the performance or safety of unauthorized batteries, and provides no warranties for failures or damage arising out of their use.

To check whether the battery charges properly during operation, do the following:

1. Discharge the battery until the remained battery power is less than 50%.
2. Connect the computer to ac power to charge the battery. If the battery status icon in the Windows notification area indicates that the battery is not charging, remove the battery and let it return to room temperature.
3. Reinstall the battery. If the battery is still not charging, replace the battery pack.
4. Check the battery status icon again. If the same error still exists, replace the system board.

## Checking the battery pack

This computer supports only batteries specially designed for this specific system and manufactured by Lenovo or an authorized builder. The system does not support unauthorized batteries or batteries designed for other systems. If an unauthorized battery or a battery designed for another systems is installed, the system will not charge.

**Attention:** Lenovo has no responsibility for the performance or safety of unauthorized batteries, and provides no warranties for failures or damage arising out of their use.

Move your pointer to the battery-status icon in the Windows notification area to check the battery status. The battery-status icon displays the percentage of battery power remaining and how long you can use your computer before you must charge the battery.

To check whether the battery charges properly during operation, do the following:

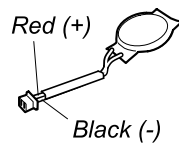
1. Discharge the battery until the remained battery power is less than 50%.

2. Connect the computer to ac power to charge the battery. If the battery status icon in the Windows notification area indicates that the battery is not charging, remove the battery and let it return to room temperature.
3. Reinstall the battery. If the battery is still not charging, replace the battery.
4. Check the battery status icon again. If the same error still exists, replace the system board.

## Checking the coin-cell battery

To check the coin-cell battery, do the following:

1. Remove the battery pack. See “1150 Built-in battery” on page 79.
2. Remove the coin-cell battery. See “1160 Coin-cell battery” on page 80.
3. Measure the voltage of the coin-cell battery. See the following illustration.



| Wire  | Voltage (V dc) |
|-------|----------------|
| Red   | +2.5 to +3.2   |
| Black | Ground         |

- If the voltage is correct, replace the system board.
- If the voltage is not correct, replace the coin-cell battery.
- If the coin-cell battery discharges quickly after replacement, replace the system board.

---

## Chapter 4. Related service information

This chapter presents following information:

- “Reset or restore Windows” on page 31
- “Passwords” on page 31
- “Power management” on page 34
- “Symptom-to-FRU index” on page 35

**Service Web site:** When the latest maintenance diskette and the system program service diskette become available, they will be posted on <https://support.lenovo.com>

---

### Reset or restore Windows

To reset or restore Windows, refer to the information below :

- Use Lenovo recovery options.
  1. Go to <https://support.lenovo.com/HowToCreateLenovoRecovery>.
  2. Follow the on-screen instructions.
- Use Window recovery options.
  1. Go to <https://pcsupport.lenovo.com>.
  2. Detect your computer or manually select your computer model.
  3. Click **Diagnostics** → **Operating system Diagnostics** and then follow the on-screen instructions.

---

### Passwords

As many as four passwords may be needed for any ThinkPad notebook computer: the power-on password, the hard disk password, the supervisor password, and the system management password.

If any of these passwords has been set, a prompt for it will be displayed on the screen whenever the computer is turned on. The computer does not start until the password is entered.

**Note:** If only a supervisor password is set, the password prompt will not be displayed when the operating system is started.

### Power-on password

A power-on password protects the system from being powered on by an unauthorized person. The password must be entered before an operating system can be started. For instructions on how to remove the power-on password, see “How to remove the power-on password” on page 32.

### Hard disk password

There are two kinds of hard disk passwords:

- User hard disk password - for the user
- Master hard disk password - for the system administrator, who can use it to get access to the hard disk even if the user has changed the user hard disk password

**Note:** There are two modes for the hard disk password: **User only** and **Master + User**. The **Master + User** mode requires two hard disk passwords; the system administrator enters both in the same operation. The system administrator then provides the user hard disk password to the system user.

**Attention:** If the user hard disk password has been forgotten, check whether a master hard disk password has been set. If it has, it can be used for access to the hard disk drive. If no master hard disk password is available, neither Lenovo nor Lenovo authorized service technicians provide any services to reset either the user or the master hard disk password, or to recover data from the hard disk drive. The hard disk drive can be replaced for a scheduled fee.

For how to remove the hard disk password, see “How to remove the hard disk password” on page 33.

## Supervisor password

The supervisor password protects the system information stored in the ThinkPad Setup program. It provides the following security features:

- If only a supervisor password is set, a password prompt is displayed when you try to start the ThinkPad Setup program. Unauthorized users cannot change most of the system configuration options in the ThinkPad Setup program without the password.
- The system administrator can use the supervisor password to access a computer even if the user of that computer has set a power-on password. The supervisor password overrides the power-on password.
- The system administrator can set the same supervisor password on many ThinkPad notebook computers to make administration easier.

**Attention:** If the supervisor password has been forgotten and cannot be made available to the service technician, there is no service procedure to reset the password. The system board must be replaced for a scheduled fee.


## System management password

The system management password can also protect the system information stored in UEFI BIOS like a supervisor password, but it has lower authority by default. The system management password can be set through the UEFI BIOS menu or through Windows Management Instrumentation (WMI) with the Lenovo client-management interface.

You can enable the system management password to have the same authority as the supervisor password to control security related features. To customize the authority of the system management password through the UEFI BIOS menu:

1. Enter the UEFI BIOS menu.



**Note:** When you are prompted by the icon , enter the correct supervisor password if a supervisor password has been set, or enter the correct system management password if no supervisor password has been set. Otherwise, you cannot change the configurations in the following steps.

2. Select **Security** → **Password** → **System Management Password Access Control**.
3. Follow the on-screen instructions.

If you have set both the supervisor password and the system management password, the supervisor password overrides the system management password. If you have set both the system management password and the power-on password, the system management password overrides the power-on password.

## How to remove the power-on password

To remove a power-on password, do the following:

If no supervisor password has been set, do the following to remove the power-on password:

1. Turn off the computer.
2. Remove the battery pack. For instructions on how to remove the battery pack, see “1150 Built-in battery” on page 79.
3. Remove the coin-cell battery. For instructions on how to remove the coin-cell battery, see “1160 Coin-cell battery” on page 80. Wait for a few seconds.
4. Reinstall the coin-cell battery. For instructions on how to install the coin-cell battery, see “1160 Coin-cell battery” on page 80.
5. Reinstall the battery pack. For instructions on how to install the battery pack, see “1150 Built-in battery” on page 79.
6. Turn on the computer and wait until the POST ends. After the POST ends, the password prompt does not appear. The power-on password has been removed.

If a supervisor password has been set and is known to the service technician, do the following to remove the power-on password:

1. Turn on the computer.
2. When the Lenovo logo is displayed, immediately press F1.
3. Type the supervisor password to enter the ThinkPad Setup program.
4. Select **Security**.
5. Select **Password**.
6. Select **Power-On Password**.
7. Type the current supervisor password in the **Enter Current Password** field. then leave the **Enter New Password** field blank, and press Enter twice.
8. In the Changes have been saved window, press Enter.
9. Press F10 to save changes and exit the ThinkPad Setup program.

## How to remove the hard disk password

**Attention:** If **User only** mode is selected and the user hard disk password has been forgotten and cannot be made available to the service technician, neither Lenovo nor Lenovo authorized service technicians provide any services to reset the user hard disk passwords, or to recover data from the hard disk drive. To put the system back to operational status, the only Lenovo and Lenovo-authorized service solution would be to replace the hard disk drive (HDD) or SSD with a scheduled fee.

To remove a user hard disk password that has been forgotten, when the supervisor password and master hard disk password are known, do the following:

1. Turn on the computer.
2. When the ThinkPad logo comes up, immediately press F1 to enter the ThinkPad Setup program. When the power-on password icon is displayed on the screen, enter either the power-on password or the supervisor password.
3. When the user hard disk password icon is displayed on the screen, press F1. The master hard disk password icon is displayed.
4. Enter the master hard disk password to enter the ThinkPad Setup program.
5. Select **Security**.
6. Select **Password**.
7. Select **Hard-disk x password**, where *x* is the letter of the hard disk drive. A pop-up window opens.
8. Select **Master hard disk password**.
9. Type the current master hard disk password in the **Enter Current Password** field. Then leave the **Enter New Password** field blank, and press Enter twice.
10. Press F10 to save changes and exit the ThinkPad Setup program. The user hard disk password and the master hard disk password have been removed.

## How to remove the system management password

To remove a system management password, do the following:

If no supervisor password has been set, do the following to remove the system management password:

1. Turn off the computer and disconnect ac power.
2. Disable the built-in battery. See “Disable the built-in battery” on page 66.
3. Remove the bottom cover. See “1140 Bottom cover” on page 78.
4. Remove the built-in battery pack. See “1150 Built-in battery” on page 79.
5. Remove the coin-cell battery. See “1160 Coin-cell battery” on page 80.
6. Reinstall the coin-cell battery.
7. Reinstall the internal battery pack.
8. Reinstall the base cover assembly.
9. Reconnect ac power.
10. Turn on the computer and wait until the POST ends. After the POST ends, the password prompt does not appear. The system management password has been removed.

If a supervisor password has been set and is known to the service technician, do the following to remove the system management password:

1. Turn on the computer.
2. When the ThinkPad logo is displayed, immediately press F1.
3. Type the supervisor password to enter the ThinkPad Setup program.
4. Select **Security**.
5. Select **Password**.
6. Select **System Management Password**.
7. Type the current supervisor password in the **Enter Current Password** field. Then leave the **Enter New Password** field blank, and press Enter twice.
8. In the Changes have been saved window, press Enter.
9. Press F10 to save changes and exit the ThinkPad Setup program. The system management password has been removed.

---


## Power management

To reduce power consumption, the computer has two power management modes: sleep and hibernation.

### Sleep mode

When the computer enters sleep mode, the following events occur:

- The LCD is powered off.
- The solid-state drive is powered off.
- The microprocessor stops.

To put your computer into sleep mode, press Fn+F4 or open the Start menu, click  **Power**, and then click **Sleep**.

To return to normal operation, press the Fn key only.

In certain circumstances, the computer goes into sleep mode automatically:

- After a period of inactivity specified in power plan settings

- When the battery power is low

## Hibernation mode

In hibernation mode, the following occurs:

- The system status, random access memory (RAM), video random access memory (VRAM), and setup data are stored on solid-state drive.
- The system is powered off.

**Note:** If the computer enters the hibernation mode while it is docked to the docking station or the port replicator, do not undock it before resuming normal operation. If you do undock it and then try to resume normal operation, you will get an error message, and you will have to restart the system.

If you have defined one of the following actions as the event that causes the system to go into hibernation mode, perform that action.

- Closing the lid.
- Pressing the power button.

Also, the computer goes into hibernation mode automatically after a period of inactivity specified in power plan settings.

When the power is turned on, the computer returns from hibernation mode and resumes operation. The hibernation file in the boot record on the solid-state drive is read, and system status is restored from the solid-state drive.

---

## Symptom-to-FRU index

This section contains following information:

- “Numeric error codes” on page 36
- “Error messages” on page 37
- “Beep errors” on page 37
- “No-beep symptoms” on page 39
- “LCD-related symptoms” on page 39
- “Intermittent problems” on page 40
- “Undetermined problems” on page 40

The symptom-to-FRU index in this section lists symptoms and errors and their possible causes. The most likely cause is listed first, in boldface type.

**Note:** Do the FRU replacement or other actions in the sequence shown in the column headed “FRU or action, in sequence.” If replacing a FRU does not solve the problem, put the original part back in the computer. Do not replace a nondefective FRU.

This index can also help you determine, during regular servicing, what FRUs are likely to need to be replaced next.

A numeric error is displayed for each error detected in POST or system operation. In the displays, **n** can be any number.

If no numeric code is displayed, check the narrative descriptions of symptoms. If the symptom is not described there, go to “Intermittent problems” on page 40.

**Note:** For a device not supported by diagnostic codes in the ThinkPad notebook computers, see the manual for that device.

## Numeric error codes

Table 1. Numeric error codes

| Symptom or error   | FRU or action, in sequence  |
|--|---|
| <b>0177</b><br>Bad SVP data, stop POST task — The checksum of the supervisor password in the EEPROM is not correct.  | <b>Replace the system board.</b>  |
| <b>0183</b><br>Bad CRC of Security Settings in EFI Variable. Enter the ThinkPad Setup program. — The checksum of the Security settings in the EFI Variable is not correct. | <ol style="list-style-type: none"> <li>1. <b>Run the ThinkPad Setup program. The settings will be corrected automatically. Then save the current settings by pressing F10.</b></li> <li>2. Replace the system board.</li> </ol> |
| <b>0187</b><br>EAIA data access error — The access to EEPROM is failed.  | <b>Replace the system board.</b>  |
| <b>0188</b><br>Invalid RFID Serialization Information Area.  | <b>Replace the system board.</b>  |
| <b>0189</b><br>Invalid RFID configuration information area — The EEPROM checksum is not correct.   | <b>Replace the system board.</b>  |
| <b>0190</b><br>Critical low-battery error  | <ol style="list-style-type: none"> <li>1. <b>Charge the battery pack.</b></li> <li>2. Replace the battery pack.</li> </ol>  |
| <b>0191</b><br>System Security — Invalid Remote Change requested.  | <ol style="list-style-type: none"> <li>1. <b>Run the ThinkPad Setup program, and then save current setting by pressing F10.</b></li> <li>2. Replace the system board.</li> </ol>  |
| <b>0199</b><br>System Security — Security password retry count exceeded.   | <ol style="list-style-type: none"> <li>1. <b>Run the ThinkPad Setup program. The retry count will be reset. Then save the current settings by pressing F10.</b></li> <li>2. Replace the system board.</li> </ol>                |
| <b>0270</b><br>Real Time Clock Error — System Real Time Clock is not functional.   | <ol style="list-style-type: none"> <li>1. <b>Run ThinkPad Setup to reset the time and date</b></li> <li>2. Replace the coin-cell battery and run ThinkPad Setup to reset the time and date.</li> </ol>                          |
| <b>0271</b><br>Check Date and Time settings — Neither the date nor the time is set in the computer.  | <ol style="list-style-type: none"> <li>1. <b>Run ThinkPad Setup to reset the time and date</b></li> <li>2. Replace the coin-cell battery and run ThinkPad Setup to reset the time and date.</li> </ol>                          |
| <b>1802</b><br>Unauthorized network card is plugged in — Turn off and remove the network card.   | <ol style="list-style-type: none"> <li>1. <b>Remove network card.</b></li> <li>2. Replace the system board.</li> </ol>  |
| <b>1820</b><br>More than one external fingerprint reader is attached. Power off and remove all but the reader that you set up within your main operating system.           | <b>Remove all but the reader that you set up for the authentication.</b>  |
| <b>2101</b><br>Detection error on SSD0 (M.2)<br>Detection error on Storage Device0 (M.2)   | <ol style="list-style-type: none"> <li>1. <b>Reseat the M.2 solid-state drive.</b></li> <li>2. Replace the M.2 solid-state drive.</li> <li>3. Replace the system board.</li> </ol>  |
| <b>2102</b><br>Detection error on SSD1 (M.2)<br>Detection error on Storage Device1 (M.2)   | <ol style="list-style-type: none"> <li>1. <b>Reseat the M.2 solid-state drive.</b></li> <li>2. Replace the M.2 solid-state drive.</li> <li>3. Replace the system board.</li> </ol>  |
| <b>2103</b><br>Detection error on Storage Device2 (M.2)  | <ol style="list-style-type: none"> <li>1. <b>Reseat the M.2 solid-state drive.</b></li> <li>2. Replace the M.2 solid-state drive.</li> <li>3. Replace the system board.</li> </ol>  |



Table 1. Numeric error codes (continued)

| Symptom or error   | FRU or action, in sequence   |
|--|--|
| <b>2111</b><br>Read error on SSD0 (M.2)<br>Read error on Storage Device0 (M.2) | <ol style="list-style-type: none"> <li>1. <b>Reseat the M.2 solid-state drive.</b></li> <li>2. Replace the M.2 solid-state drive.</li> <li>3. Replace the system board.</li> </ol> |
| <b>2112</b><br>Read error on SSD1 (M.2)<br>Read error on Storage Device1 (M.2) | <ol style="list-style-type: none"> <li>1. <b>Reseat the M.2 solid-state drive.</b></li> <li>2. Replace the M.2 solid-state drive.</li> <li>3. Replace the system board.</li> </ol> |
| <b>2113</b><br>Read error on Storage Device2 (M.2)                             | <ol style="list-style-type: none"> <li>1. <b>Reseat the M.2 solid-state drive.</b></li> <li>2. Replace the M.2 solid-state drive.</li> <li>3. Replace the system board.</li> </ol> |
| <b>2200</b><br>Machine Type and Serial Number are invalid.                     | <b>Replace the system board.</b>   |
| <b>2201</b><br>Machine UUID is invalid   | <b>Replace the system board.</b>   |

## Error messages

Table 2. Error messages

| Symptom or error  | FRU or action, in sequence   |
|---|--|
| Fan error.  | <ol style="list-style-type: none"> <li>1. <b>Replace the fan.</b></li> <li>2. Apply thermal grease.</li> <li>3. Replace the system board.</li> </ol> |
| One fan error.  | <ol style="list-style-type: none"> <li>1. <b>Replace the fan.</b></li> <li>2. Apply thermal grease.</li> <li>3. Replace the system board.</li> </ol> |
| Thermal sensing error.  | <b>Replace the system board.</b>   |
| The non-volatile system UEFI variable storage is nearly full.   | Press F1 to enter ThinkPad Setup after the error message is displayed. Then clean up the storage.  |
| The battery installed is not supported by this system and will not charge. Please replace the battery with the correct Lenovo battery for this system. Press the ESC key to continue.   | <b>Replace the battery.</b>  |
| This system does not support batteries that are not genuine Lenovo made or authorized. The system will continue to boot, but may not charge unauthorized batteries. Press the ESC key to continue.<br><b>Attention:</b> Lenovo has no responsibility for the performance or safety of unauthorized batteries, and provides no warranties for failures or damage arising out of their use. | <b>Replace the battery.</b>  |

## Beep errors

Lenovo SmartBeep technology enables you to decode beep errors with your smartphone when a black screen occurs with beeps from your computer. To decode the beep error with Lenovo SmartBeep technology, do the following:

1. Go to <https://support.lenovo.com/smartbeep> or scan the following QR Code.



2. Download the proper diagnostic app and install it on your smartphone.
3. Run the diagnostic app and place the smartphone near the computer.
4. Press the Fn key on your computer to emit the beep again. The diagnostic app decodes the beep error and shows possible solutions on the smartphone.

The following section describes some beep errors and the corresponding solutions.

**Note:** Do not attempt to service a product yourself unless instructed to do so by the Customer Support Center or product documentation. Only use a Lenovo-authorized service provider to repair your product.

| Error codes   | Solutions  |
|---|--|
| 0001: Reset error (platform reset not de-asserted)  | <ol style="list-style-type: none"><li>1. Remove the ac power adapter and the removable battery if your computer has one. Then, reset the computer by doing one of the following:<ul style="list-style-type: none"><li>• For models with the emergency-reset hole, insert a straightened paper clip into the emergency-reset hole. Wait for one minute. Then, reconnect all power resources and restart the computer.</li><li>• For models without the emergency-reset hole, press and hold the power button for about seven seconds. Then, reconnect to all power resources and restart the computer.</li></ul></li><li>2. Replace the system board (service provider only).</li></ol> |
| 0002: Internal bus error  | Replace the system board (service provider only).  |
| 0281: General embedded controller error   | Replace the system board (service provider only).  |
| 0282: Memory module error   | <ol style="list-style-type: none"><li>1. Reinstall or replace the memory module.</li><li>2. Replace the system board (service provider only).</li></ol>  |
| 0283: PCI resource error  | <ol style="list-style-type: none"><li>1. Remove PCIe devices (the M.2 card, PCIe card, and so on) (service provider only).</li><li>2. Replace the system board (service provider only).</li></ol>  |
| 0284: TCG-compliant functionality-related error (might be the BIOS code validation failure) | Replace the system board (service provider only).  |
| 0285: TCG-compliant functionality-related error (might be the TPM initialization failure)   | Replace the system board (service provider only).  |
| 0286: Integrated graphics error   | Replace the system board (service provider only).  |

| Error codes                   | Solutions   |
|-------------------------------|---|
| 0287: Discrete graphics error | <ol style="list-style-type: none"> <li>1. Reinstall or replace the discrete graphics card (service provider only).</li> <li>2. Replace the system board (service provider only).</li> </ol>   |
| 0288: Computer display error  | <ol style="list-style-type: none"> <li>1. Reconnect the display cable on both the system board side and the computer display side (service provider only).</li> <li>2. Replace the system board (service provider only).</li> </ol> |

## No-beep symptoms

Table 3. No-beep symptoms

| Symptom or error   | FRU or action, in sequence   |
|--|--|
| No beep, power-on indicator on, LCD blank, and no POST.    | <ol style="list-style-type: none"> <li>1. <b>Run LCD Self Test.</b></li> <li>2. Ensure that every connector is connected tightly and correctly.</li> <li>3. Reseat memory module.</li> <li>4. Replace the system board.</li> </ol> |
| No beep, power-on indicator on, and LCD blank during POST. | <ol style="list-style-type: none"> <li>1. <b>Run LCD Self Test..</b></li> <li>2. Reseat memory module.</li> <li>3. Replace the system board.</li> </ol>  |
| The power-on password prompt appears.                      | A power-on password or a supervisor password is set. Type the password and press <b>Enter</b> .  |
| The hard-disk password prompt appears.                     | A hard disk password is set. Type the password and press <b>Enter</b> .  |

## LCD-related symptoms

**Important:** The TFT LCD for the notebook computer contains many thin-film transistors (TFTs). The presence of a small number of dots that are missing, discolored, or always lighted is characteristic of TFT LCD technology, but excessive pixel problems can cause viewing concerns. If the LCD you are servicing has two or less visible defective pixels, it should not be considered faulty. However, if the LCD has three or more visible defective pixels, it will be deemed as defective by Lenovo and it should be replaced.

### Notes:

- This policy applies to all ThinkPad notebooks purchased on 1 January, 2008 or later.
- Lenovo will not provide warranty replacement if the LCD is within specifications because we cannot guarantee that any replacement LCD will have zero pixel defects.
- One pixel consists of R, G, B sub-pixels.

### LCD Self Test

When you turn on the computer and the LCD goes black, run LCD Self Test to help you determine whether the LCD functions normally.

To run LCD Self Test:

1. Ensure that the computer is connected to ac power. Then, press the power button for about seven seconds to turn off the computer.

2. Press Fn, left Ctrl, and the power button at the same time. If the computer displays five solid colors in sequence across the entire screen, it indicates that the LCD functions normally.
3. The test lasts for about 20 seconds and then exits automatically. You also can press the power button to exit the test.

Table 4. LCD-related symptoms

| Symptom or error  | FRU or action, in sequence  |
|---|---|
| No beep, power-on indicator on, and a blank LCD during POST.  | <ol style="list-style-type: none"> <li>1. <b>Run LCD Self Test.</b></li> <li>2. Replace the system board.</li> </ol>  |
| <ul style="list-style-type: none"> <li>• LCD backlight not working.</li> <li>• LCD too dark.</li> <li>• LCD brightness cannot be adjusted.</li> <li>• LCD contrast cannot be adjusted.</li> </ul> | <ol style="list-style-type: none"> <li>1. <b>Reseat the LCD connectors.</b></li> <li>2. Replace the LCD assembly.</li> <li>3. Replace the system board.</li> </ol>  |
| <ul style="list-style-type: none"> <li>• LCD screen unreadable.</li> <li>• Characters missing pixels.</li> <li>• Screen abnormal.</li> <li>• Wrong color displayed.</li> </ul>                    | <ol style="list-style-type: none"> <li>1. <b>See important note for “LCD-related symptoms.”</b></li> <li>2. Reseat the LCD connectors.</li> <li>3. Replace the LCD assembly.</li> <li>4. Replace the system board.</li> </ol> |
| Horizontal or vertical lines displayed on LCD.  | <b>Replace the LCD assembly.</b>  |

## Intermittent problems

Intermittent system hang problems can be due to a variety of causes that have nothing to do with a hardware defect, such as cosmic radiation, electrostatic discharge, or software errors. FRU replacement should be considered only when a problem recurs.

When analyzing an intermittent problem, do the following:

1. Run the diagnostic test for the system board in loop mode **at least 10 times**.
2. If no error is detected, do not replace any FRUs.
3. If any error is detected, replace the FRU shown by the FRU code. Rerun the test to verify that no more errors exist.

## Undetermined problems

If the diagnostic tests did not identify the adapter or device that has failed, if wrong devices are installed, or if the system simply is not operating, follow these procedures to isolate the failing FRU (do not isolate FRUs that have no defects).

Verify that all attached devices are supported by the computer.

Verify that the power supply being used at the time of the failure is operating correctly. See “Power system checkout” on page 28.

1. Turn off the computer.
2. Visually check each FRU for damage. Replace any damaged FRU.
3. Remove or disconnect all of the following devices:
  - a. Non-ThinkPad devices
  - b. Devices attached to the docking station or the port replicator
  - c. Printer, mouse, and other external devices
  - d. Battery pack
  - e. Solid-state drive
  - f. External diskette drive or optical drive
  - g. Memory module
  - h. PC cards

4. Turn on the computer.
5. Determine whether the problem has been solved.
6. If the problem does not recur, reconnect the removed devices one at a time until you find the failing FRU.
7. If the problem remains, replace the following FRUs one at a time (do not replace a nondefective FRU):
  - a. System board
  - b. LCD unit



---

## Chapter 5. Configuring RAID

This chapter provides information about storage drive requirements for Redundant Array of Independent Disks (RAID) levels, and instructions on how to configure RAID for your computer.

### An Introduction to RAID

RAID is a technology that provides increased storage functions and reliability through redundancy.

When a group of independent physical storage drives is set up to use RAID technology, they are in a RAID array. This array distributes data across multiple storage drives, but the array appears to the host computer as one single storage unit. Creating and using RAID arrays provides high performance, such as the expedited I/O performance, because several drives can be accessed simultaneously.

RAID drive groups configured according to certain RAID levels also improve data storage reliability and fault tolerance compared with single-drive storage systems. Data loss resulting from a drive failure can be prevented by reconstructing missing data from the remaining drives.

**Note:** For RAID 0, the missing data resulting from a drive failure cannot be reconstructed.

---

### Storage drive requirements for RAID levels

Your computer supports M.2 solid-state drive.

**Note:** Ensure that your computer has two identical storage drives installed (two M.2 NVMe solid-state drives with the same capacity) for supported RAID levels. If only one drive is installed, or two different types of drives are installed, the following information does not apply.

Your computer supports the following RAID levels:

- RAID 0: striped disk array
  - Consists of two identical storage drives
  - Supported strip size: 4 KB, 8 KB, 16 KB, 32 KB, 64 KB, or 128 KB
  - Better performance without fault tolerance
  - Higher risk of data loss resulting from a member drive failure compared with non-RAID configuration
- RAID 1: mirrored disk array
  - Consists of two identical storage drives
  - Improved reading performance and 100% redundancy

---

### Configuring RAID with the Intel RST configuration utility

This topic provides the following instructions to help you configure RAID with the Intel RST configuration utility:

- How to enter the Intel RST configuration utility
- How to create RAID volumes
- How to delete RAID volumes
- How to reset storage drives to non-RAID
- How to rebuild RAID 1 volumes

## Entering the Intel RST configuration utility

This topic provides instructions on how to enter the Intel RST configuration utility.

### Enabling RAID from ThinkPad Setup

If RAID is disabled, you must enable it manually before entering the Intel RST configuration utility.

To enable RAID, do the following:

1. Restart the computer. When the logo screen is displayed, press F1 to start the ThinkPad Setup program.
2. Select **Config** → **Storage** → **Controller Mode** → **RST mode** and then press Enter.
3. Press F10 to save changes and exit.

### Entering the Intel RST configuration utility

To enter the Intel RST configuration utility, do the following:

1. Restart the computer. When the logo screen is displayed, press F1 to start the ThinkPad Setup program.
2. Select **Config** → **Storage** → **Intel (R) Rapid Storage Technology** and then press Enter to open the Intel (R) Rapid Storage Technology window.

The following options are displayed after you enter the Intel RST configuration utility:

- **Create RAID Volume:** This option is used to create a RAID volume. If no internal storage drives can be used, this option is not available.
- **RAID Volumes:** This option is used to confirm the information of the created RAID volumes.
- **Non-RAID Physical Disks:** This option is used to confirm the information of all non-RAID drives.

Press the up and down arrow keys to select an option. Press Enter to enter the menu for the selected option. Press Esc to exit the Intel RST configuration utility.

## Creating RAID volumes

This topic provides instructions on how to use the Intel RST configuration utility to create RAID volumes.

**Attention:** All the existing data stored on the selected drives will be erased while the RAID volume is being created.

To create a RAID volume, do the following:

1. Enter the Intel RST configuration utility. See “Entering the Intel RST configuration utility” on page 44.
2. Press the up and down arrow keys to select **Create RAID Volume**, and then press Enter to open the CREATE RAID VOLUME window.
3. Press the up and down arrow keys to select and configure the options one by one.
  - a. **Name:** You can use the default name or type a preferred name for the RAID volume.
  - b. **RAID Level:** You can press Enter to change the RAID to one of the following:
    - **RAID0 (Stripe)**
    - **RAID1 (Mirror)**
  - c. **Select Disks:** Press the up and down arrow keys to select a drive, and then press Spacebar or Enter to add it into a group. An **X** mark is displayed next to the selected drive.

**Note:** The drive that cannot be used to create a RAID volume is not selectable.



- d. **Strip Size:** Press the up and down arrow keys to select a strip size, and then press Enter to complete the configuration.

**Note:** This option is only available for RAID 0.

- e. **Capacity:** Customize the capacity of the RAID volume. The default RAID volume is the largest value.
- f. **Create Volume:** Press Enter to finish configurations of the preceding options and create a volume.

**Note:** The **Create Volume** option might not be selectable for some reasons, for example, if different types of drives are selected, the option is not selectable. If it is not selectable, see the message displayed under **Create Volume** for reference.

After the RAID volume is created, the Intel (R) Rapid Storage Technology window is displayed, and the created volume is displayed under **RAID Volumes**.

4. Press F10 to save changes and exit.

## Deleting RAID volumes

This topic provides instructions on how to use the Intel RST configuration utility to delete RAID volumes.

**Attention:** All the existing data stored on the selected drives will be erased after you delete RAID volumes.

To delete a RAID volume, do the following:

1. Enter the Intel RST configuration utility. See “Entering the Intel RST configuration utility” on page 44.
2. Press the up and down arrow keys to select the volume that you want to delete under **RAID Volumes**. Press Enter to open the RAID VOLUME INFO window.
3. Select **Delete** and press Enter to delete it from the **RAID Volumes** list.
4. When prompted, select **Yes** to confirm the deletion of the selected RAID volume.

After you delete the RAID volume, the Intel (R) Rapid Storage Technology window is displayed. Member drives of the deleted volume are displayed under **Non-RAID Physical Disks**.

5. Press F10 to save changes and exit.

## Resetting storage drives to non-RAID

This topic provides instructions on how to use the Intel RST configuration utility to reset storage drives to non-RAID.

**Attention:** All the existing data stored on the selected drive will be erased after you reset it to non-RAID.

To reset a storage drive to non-RAID, do the following:

1. Enter the Intel RST configuration utility. See “Entering the Intel RST configuration utility” on page 44.
2. Press the up and down arrow keys to select the volume that you want to reset under **RAID Volumes**. Press Enter to open the RAID VOLUME INFO window.
3. Press the up and down arrow keys to select the drive that you want to reset under **RAID Member Disks**. Press Enter to open the PHYSICAL DISK INFO window.
4. Select **Reset to Non-RAID** and press Enter. When prompted, press **Yes** to confirm the reset action.

After the reset process finishes, the Intel (R) Rapid Storage Technology window is displayed. The reset drive is listed under **Non-RAID Physical Disks**, and the volume of the reset drive is still listed under **RAID Volumes**, but the status is changed from **Normal** to **Failed** or **Degraded**.

5. Press F10 to save changes and exit.

## Rebuilding RAID 1 volumes

If the status of a RAID 1 volume is **Failed** or **Degraded**, you can rebuild it through the Intel RST configuration utility. To rebuild a RAID 1 volume, ensure that at least one member drive of the RAID 1 volume works correctly. Replace the failed drive with a new one that has the same capacity before you rebuild a RAID 1 volume.

To rebuild a RAID 1 volume, do the following:

1. Enter the Intel RST configuration utility. See “Entering the Intel RST configuration utility” on page 44.
2. Press the up and down arrow keys to select the volume that you want to rebuild under **RAID Volumes**. Press Enter to open the RAID VOLUME INFO window.
3. Select **Rebuild** and press Enter to open the Rebuild Volume window.
4. Select the drive that you want to rebuild and press Enter to initiate the rebuild process.  
After you initiate the rebuild process, the Intel (R) Rapid Storage Technology window is displayed. The RAID 1 volume under rebuilding is displayed under **RAID Volumes** with a **Rebuilding** mark.
5. Wait a few minutes. When the rebuild process finishes successfully, the **Rebuilding** mark is changed to the **Normal** mark.
6. Press F10 to save changes and exit.

## Chapter 6. Special keys

The following table describes the functions of function keys and key combinations.

Table 5. Special keys





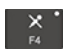
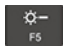


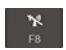










| Special key   | Description  |
|---|--|
|    | <p>You can configure the Fn key and function keys in the Keyboard Properties window by doing the following:</p> <ol style="list-style-type: none"> <li>1. Go to Control Panel, and then change the view of Control Panel from Category to Large icons or Small icons.</li> <li>2. Click <b>Lenovo - Keyboard Manager</b> and the Keyboard Manager window is displayed.</li> <li>3. Select the options of your preference.</li> </ol> <p>Press Fn+Esc to switch the key function between the standard F1–F12 function and the special function printed as an icon on each key. You can change the default function in the Keyboard Properties window.</p> |
|    | Mute or unmute the speakers.<br>If you mute the sound and turn off your computer, the sound will remain muted when you turn on your computer again. To turn on the sound, press F1, F2, or F3.   |
|    | Decrease the speaker volume.   |
|   | Increase the speaker volume.   |
|  | Mute or unmute the microphones.  |
|  | Darken the display.  |
|  | Brighten the display.  |
|  | Manage external displays.  |
|  | Enable or disable the built-in wireless networking features.   |
|  | Open the Settings window.  |
|  | Enable or disable the built-in Bluetooth feature.  |
|  | Open a keyboard setting page.  |
|  | <p>Invoke the function defined by yourself:</p> <ol style="list-style-type: none"> <li>1. Open the Start menu and click <b>Lenovo Vantage</b>.</li> <li>2. Click <b>Hardware Settings</b> and then click <b>Input</b>.</li> <li>3. Locate the <b>Keyboard: User-defined Key</b> section and follow the on-screen instructions to complete the setting.</li> </ol> <p>On this setting page, you can also define different functions for the key combinations with F12, such as Shift+F12, Alt+F12, or Ctrl+F12.</p>   |

Table 5. Special keys (continued)

| Special key   | Description  |
|---|--|
|  +  | Open the calculator.   |
|  +  | Put your computer to sleep mode.   |
|  +  | Open the Snipping Tool program.  |
| Fn+Spacebar   | Switch between different keyboard backlight statuses if your computer supports keyboard backlight. |
| Fn+4  | Put the computer into sleep mode. To wake up the computer, press Fn or the power button.           |
| Fn+B  | Equal the Break key on a conventional external keyboard.   |
| Fn+K  | Equal the ScrLK or Scroll Lock key on a conventional external keyboard.                            |
| Fn+P  | Equal the Pause key on a conventional external keyboard.   |
| Fn+S  | Equal the SysRq key on a conventional external keyboard.   |
| Fn+Left arrow key   | Equal the Home key.  |
| Fn+Right arrow key  | Equal the End key.   |

---

## Chapter 7. Locations

This chapter introduces the locations of the hardware components on your computer.

---

### Locating computer controls, connectors, and indicators

This topic introduces the locations of the computer controls, connectors, and indicators.

#### Front view



|                             |                                   |
|-----------------------------|-----------------------------------|
| <b>1</b> Infrared (IR) LED* | <b>2</b> Camera with IR function* |
| <b>3</b> ThinkShutter*      | <b>4</b> Microphones              |
| <b>5</b> Camera*            | <b>6</b> Multi-touch screen*      |

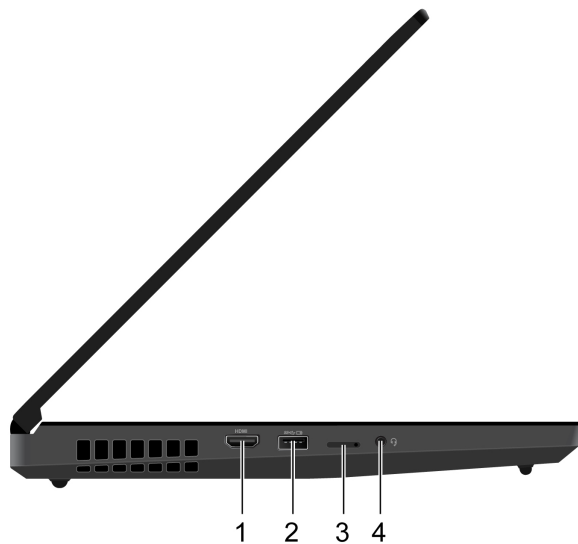
\* for selected models

## Base view



|                                     |                         |
|-------------------------------------|-------------------------|
| <b>1</b> Power button               | <b>2</b> Numeric keypad |
| <b>3</b> Fingerprint reader         | <b>4</b> Trackpad       |
| <b>5</b> TrackPoint®pointing device | <b>6</b> Speaker        |

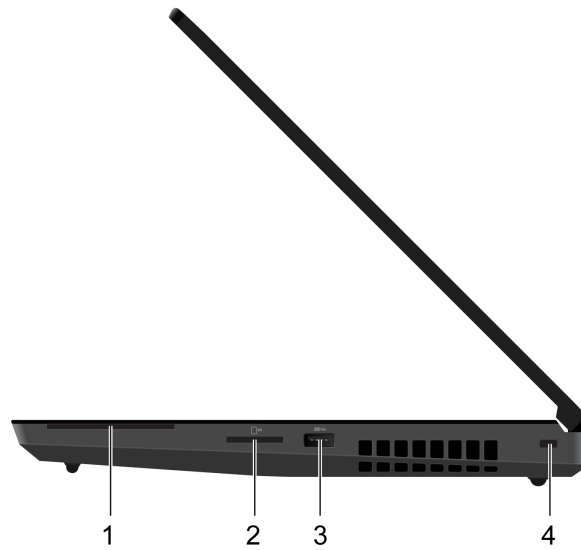
## Left view



|                              |  |
|------------------------------|--|
| <b>1</b> HDMI™ connector     | <b>2</b> Always On USB 3.1 connector Gen 1 |
| <b>3</b> Nano-SIM-card slot* | <b>4</b> Audio connector                   |

\* for selected models

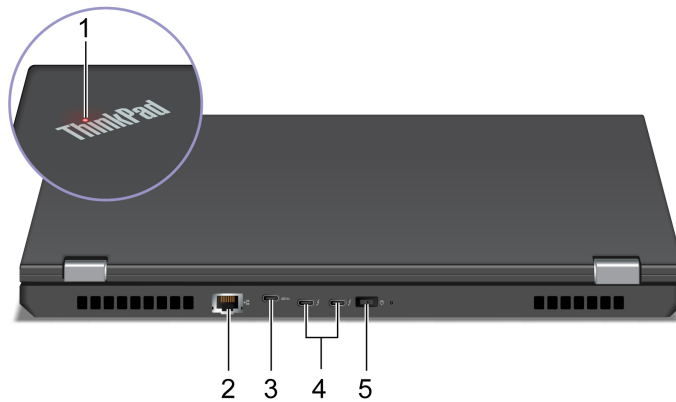
## Right view



|                                  |                             |
|----------------------------------|-----------------------------|
| <b>1</b> Smart-card slot*        | <b>2</b> SD-card slot       |
| <b>3</b> USB 3.2 connector Gen 1 | <b>4</b> Security-lock slot |

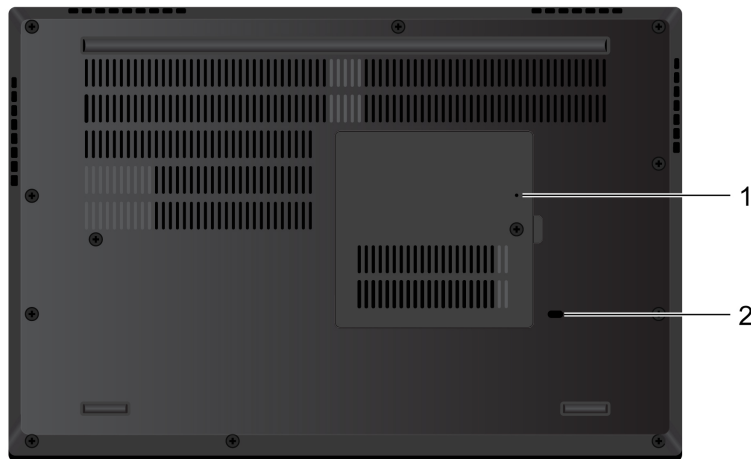
\* for selected models

## Rear view



|                                       |  |
|---------------------------------------|--|
| <b>1</b> System status indicator      | <b>2</b> Ethernet connector                |
| <b>3</b> USB-C™ (3.2 Gen 1) connector | <b>4</b> Thunderbolt™ 3 connectors (USB-C) |
| <b>5</b> Power connector              |  |

## Bottom view



**1** Emergency-reset hole

**2** Keyboard drainage hole

## Locating FRUs and CRUs

This topic introduces the following service parts:

- “Major FRUs” on page 53
- “LCD FRUs” on page 55
- “Miscellaneous parts” on page 58

### Notes:

- **CRU statement for customers:**

You can resolve some problems with your product with a replacement part you can install yourself, called a “Customer Replaceable Unit” or “CRU.” *Installation of self-service CRUs is your responsibility.* If you intend on installing the CRU, Lenovo will ship the CRU to you. CRU information and replacement instructions are shipped with your product and are available from Lenovo at any time upon request. You can find a list of CRUs for your product in this *Hardware Maintenance Manual*. An electronic version of this manual can be found at <https://support.lenovo.com>. Follow the on-screen instructions to find the manual for your product. You might be required to return the defective part that is replaced by the CRU. When return is required: (1) return instructions, a prepaid shipping label, and a container will be included with the replacement CRU; and (2) you might be charged for the replacement CRU if Lenovo does not receive the defective CRU within thirty (30) days of your receipt of the replacement CRU. See your Lenovo Limited Warranty documentation for full details.

ThinkPad computers contain the following types of CRUs and FRU:

- **Self-service CRUs:** Refer to parts that can be installed or replaced easily by customer themselves or by trained service technicians at an additional cost.
- **Optional-service CRUs:** Refer to parts that can be installed or replaced by customers with a greater skill level. Trained service technicians can also provide service to install or replace the parts under the type of warranty designated for the customer’s machine.
- **FRUs:** Refer to parts that must be installed or replaced only by trained service technicians. If customers choose to replace the FRUs by themselves, the product warranty might be affected.



# Major FRUs

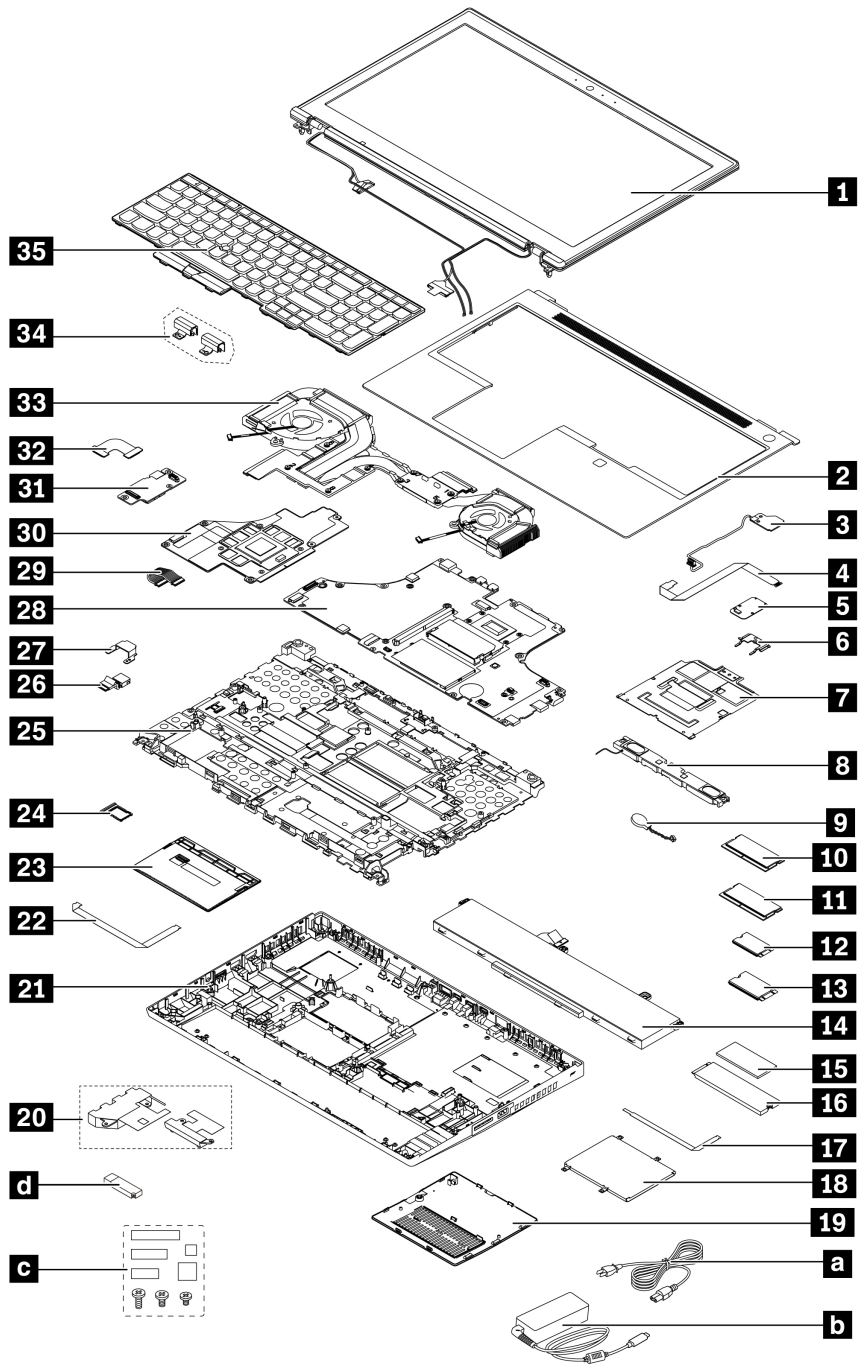


Table 6. Major FRUs

| No. | FRU descriptions              | Self-service CRU | Optional-service CRU |
|-----|-------------------------------|------------------|----------------------|
| 1   | LCD unit                      | No               | No                   |
| 2   | Keyboard bezel assembly       | No               | No                   |
| 3   | Power button board with cable | No               | No                   |

Table 6. Major FRUs (continued)

| No. | FRU descriptions                         | Self-service CRU | Optional-service CRU |
|-----|--|------------------|----------------------|
| 4   | Fingerprint reader cable                 | No               | No                   |
| 5   | Fingerprint reader module                | No               | No                   |
| 6   | Fingerprint reader bracket               | No               | No                   |
| 7   | Memory module bracket under the keyboard | No               | No                   |
| 8   | Speaker assembly                         | No               | No                   |
| 9   | Coin-cell battery                        | No               | No                   |
| 10  | Memory modules under the keyboard        | No               | No                   |
| 11  | Memory modules under the bottom cover    | No               | No                   |
| 12  | Wireless LAN card                        | No               | No                   |
| 13  | Wireless WAN card*                       | No               | No                   |
| 14  | Built-in battery                         | No               | No                   |
| 15  | Thermal pad for M.2 solid-state drive    | No               | No                   |
| 16  | M.2 solid-state drive                    | Yes              | No                   |
| 17  | Smart card reader cable*                 | No               | No                   |
| 18  | Smart card reader*                       | No               | No                   |
| 19  | Bottom door                              | Yes              | No                   |
| 20  | MIMO wireless-WAN antenna                | No               | No                   |
| 21  | Base cover assembly                      | No               | No                   |
| 22  | Trackpad cable                           | No               | No                   |
| 23  | Trackpad button board                    | No               | No                   |
| 24  | Nano-SIM-card tray*                      | Yes              | No                   |
| 25  | Chassis assembly                         | No               | No                   |
| 26  | dc-in cable                              | No               | No                   |
| 27  | dc-in cable bracket                      | No               | No                   |
| 28  | System board                             | No               | No                   |
| 29  | GPU board cable                          | No               | No                   |
| 30  | GPU board                                | No               | No                   |
| 31  | USB board                                | No               | No                   |
| 32  | I/O board cable                          | No               | No                   |
| 33  | Thermal fan assembly                     | No               | No                   |
| 34  | Hinge caps                               | No               | No                   |
| 35  | Keyboard                                 | No               | Yes                  |
| a   | Power cord                               | Yes              | No                   |
| b   | ac power adapter                         | Yes              | No                   |

Table 6. Major FRUs (continued)

| No. | FRU descriptions   | Self-service CRU | Optional-service CRU |
|-----|--|------------------|----------------------|
| c   | Miscellaneous parts (see “Miscellaneous parts” on page 58) | No               | No                   |
| d   | Lenovo factory recovery USB key *                          | Yes              | No                   |

\* for selected models

## LCD FRUs

For models without touch function:

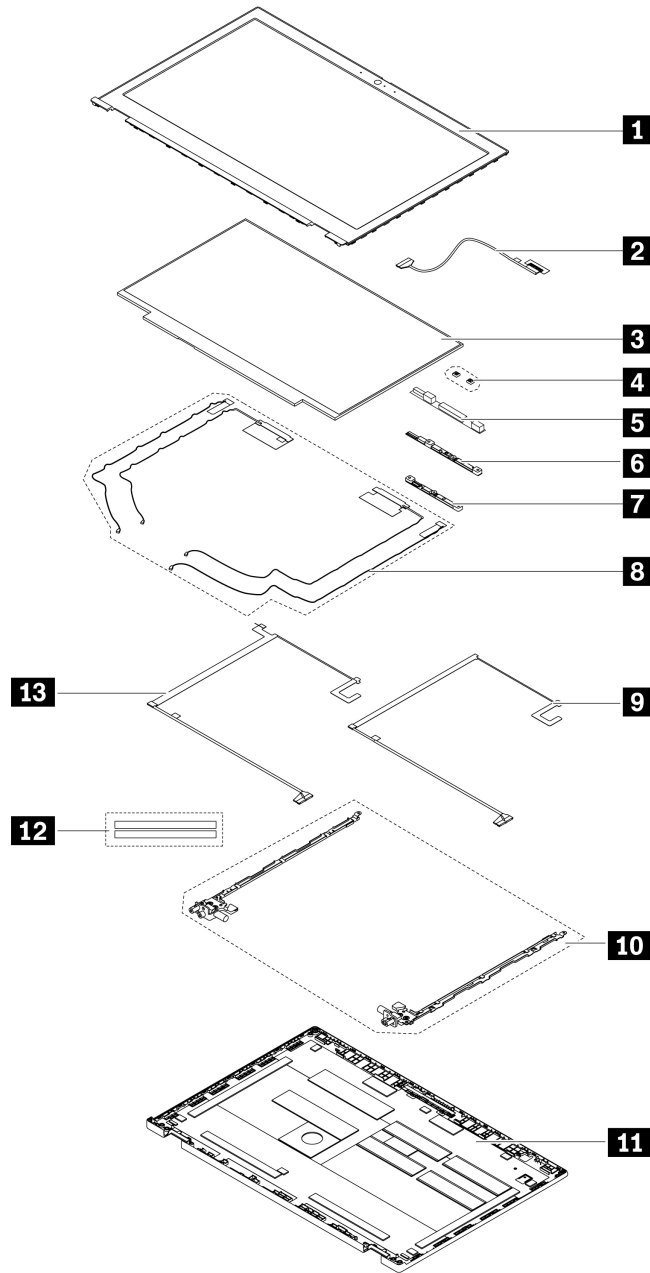


Table 7. LCD FRUs

| No. | FRU descriptions                 | Self-service CRU | Optional-service CRU |
|-----|----------------------------------|------------------|----------------------|
| 1   | LCD bezel assembly               | No               | No                   |
| 2   | LCD cable                        | No               | No                   |
| 3   | LCD panel                        | No               | No                   |
| 4   | Microphone rubbers               | No               | No                   |
| 5   | Microphone board*                | No               | No                   |
| 6   | Infrared camera/mic combo board* | No               | No                   |

Table 7. LCD FRUs (continued)

| No. | FRU descriptions                        | Self-service CRU | Optional-service CRU |
|-----|---|------------------|----------------------|
| 7   | Conventional camera/mic combo board*    | No               | No                   |
| 8   | Antenna kit                             | No               | No                   |
| 9   | Infrared camera/LED cable assembly*     | No               | No                   |
| 10  | Hinge assembly                          | No               | No                   |
| 11  | LCD rear cover assembly                 | No               | No                   |
| 12  | LCD elastic adhesive tapes              | No               | No                   |
| 13  | Conventional camera/LED cable assembly* | No               | No                   |

\* for selected models

**For models with touch function:**

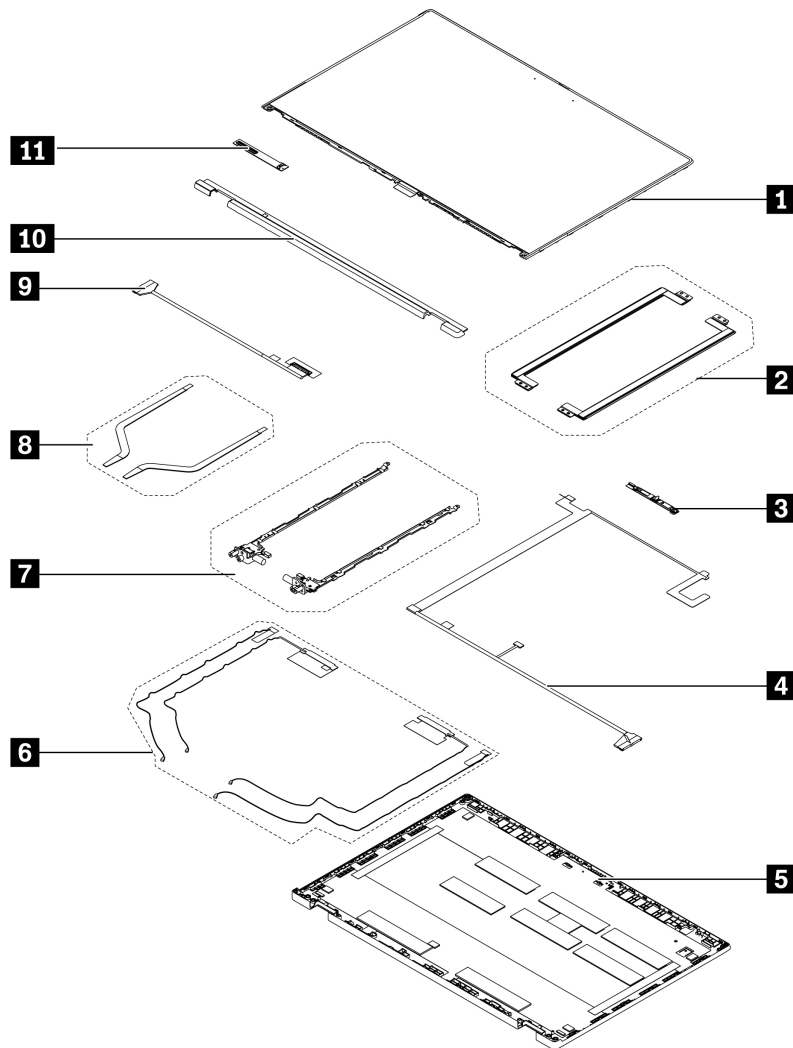


Table 8. LCD FRUs

| No. | FRU descriptions                   | Self-service CRU | Optional-service CRU |
|-----|------------------------------------|------------------|----------------------|
| 1   | LCD panel assembly                 | No               | No                   |
| 2   | LCD panel bracket                  | No               | No                   |
| 3   | Infrared camera/mic combo board    | No               | No                   |
| 4   | Infrared camera/LED cable assembly | No               | No                   |
| 5   | LCD rear cover assembly            | No               | No                   |
| 6   | Antenna kit                        | No               | No                   |
| 7   | LED card                           | No               | No                   |
| 8   | Hinge assembly                     | No               | No                   |
| 9   | LCD cable                          | No               | No                   |
| 10  | LCD strip bezel                    | No               | No                   |
| 11  | Touch control board                | No               | No                   |

## Miscellaneous parts

Table 9. Miscellaneous parts

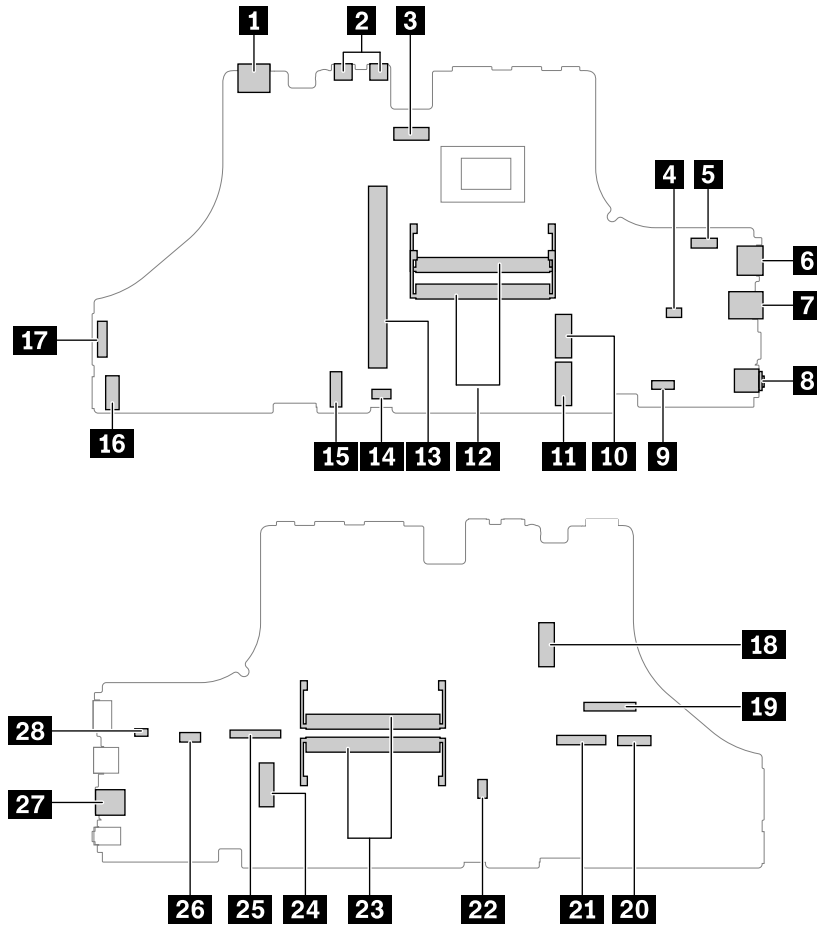
| FRU descriptions   | Self-service CRU | Optional-service CRU |
|--|------------------|----------------------|
| Screw kit <ul style="list-style-type: none"> <li>• M2 × L3, black (17)</li> <li>• M2 × L8, black (8)</li> <li>• M2 × L2, black (4)</li> <li>• M2 × L3, black (2)</li> <li>• M2.5 × L8, black (4)</li> <li>• M2.5 × L3.5, black (10)</li> <li>• M2 × L2.5, silver (8)</li> <li>• M2.5 × L4, silver (2)</li> <li>• M2.5 × L6, black (7)</li> <li>• M2.5 × L12, black (5)</li> <li>• M2 × L14, black (2)</li> <li>• M2 × L3, black (2)</li> </ul> | No               | No                   |
| System kit <ul style="list-style-type: none"> <li>• Mylar for hinge</li> <li>• Mylar for keyboard</li> </ul>   | No               | No                   |
| Wireless WAN card miscellaneous kit  | No               | No                   |
| Wireless LAN card miscellaneous kit  | No               | No                   |
| Label kit  | No               | No                   |

## Connector and cable guide

This section provides information for Lenovo authorized service technicians to help identify connectors and cables for replacement purpose. To view each FRU and the exploded illustration of the computer, see “Major FRUs” on page 53 and “LCD FRUs” on page 55.

**Note:** Depending on your model, some connectors or cables might not be available.

## System board connectors and cables



| No.      | Connector/feature                            | Internal cable required    | Cable connection   |
|----------|--|----------------------------|--|
| <b>1</b> | Ethernet connector (external)                | No                         | Connect the computer to a LAN through this connector.                                  |
| <b>2</b> | Thunderbolt™ 3 connectors (external)         | No                         | Connect a compatible device to this connector.   |
| <b>3</b> | dc-in connector (internal)                   | dc-in connector cable      | Connect the dc-in connector cable to this connector.                                   |
| <b>4</b> | Coin-cell battery connector (internal)       | Coin-cell battery cable    | The coin-cell battery comes with cable. Connect the cable to this connector.           |
| <b>5</b> | Thermal fan assembly connector (internal)    | Thermal fan assembly cable | The thermal fan assembly comes with cable. Connect the cable to this connector.        |
| <b>6</b> | HDMI connector (external)                    | No                         | Connect a compatible digital audio device or video monitor to this connector.          |
| <b>7</b> | Always On USB 3.1 connector Gen 1 (external) | No                         | Connect USB-compatible devices to this connector.                                      |
| <b>8</b> | Audio connector (external)                   | No                         | Connect headphones or a headset with 3.5-mm (0.14-inch) 4-pole plug to this connector. |
| <b>9</b> | Trackpad connector (internal)                | Trackpad cable             | Connect one end to the trackpad and the other end to this connector.                   |

| No.                    | Connector/feature                       | Internal cable required      | Cable connection  |
|------------------------|---|------------------------------|---|
| <b>10</b>              | Solid-state drive slot (internal)       | No                           | Insert the solid-state drive into this slot.  |
| <b>11</b>              | Solid-state drive slot (internal)       | No                           | Insert the solid-state drive into this slot.  |
| <b>12</b>              | Memory module slot (internal)           | No                           | Insert the memory module into this slot.  |
| <b>13</b>              | GPU board slot(internal)                | No                           | Insert the GPU board into this slot.  |
| <b>14</b>              | Smart-card connector (internal)         | Smart card cable             | Connect one end to the smart card reader and the other end to this connector.                                       |
| <b>15</b>              | Battery connector (internal)            | No                           | The battery comes with cable. Connect the cable to this connector.  |
| <b>16</b>              | GPU board connector (internal)          | GPU board cable              | Connect one end to the GPU board and the other end to this connector.   |
| <b>17</b>              | I/O board connector (internal)          | I/O board cable              | Connect one end to the I/O board and the other end to this connector.   |
| <b>18</b>              | WLAN connector (internal)               | No                           | Insert the wireless-LAN card into this slot.  |
| <b>19</b>              | Camera cable connector (internal)       | Camera cable assembly        | The camera cable assembly has two ends. Connect the camera end to the camera card and the MB end to this connector. |
| <b>20</b><br><b>21</b> | Keyboard connectors (internal)          | Keyboard assembly with cable | The keyboard assembly comes with the cables. Connect the cables to these connectors.                                |
| <b>22</b>              | Fingerprint reader connector (internal) | Fingerprint reader cable     | Connect one end to the fingerprint reader card and the other end to this connector.                                 |
| <b>23</b>              | Memory module slot (internal)           | No                           | Insert the memory module into this slot.  |
| <b>24</b>              | WWAN connector (internal)               | No                           | Insert the wireless-WAN card into this slot.  |
| <b>25</b>              | LCD connector (internal)                | LCD cable                    | Connect one end of the LCD cable to the LCD panel and the other end to this connector.                              |
| <b>26</b>              | Speaker assembly connector (internal)   | Speaker assembly cable       | The speaker assembly comes with cable. Connect the cable to this connector.   |
| <b>27</b>              | Nano-SIM-card slot (external)           | No                           | If the computer supports wireless WAN, insert a nano-SIM card into this slot to establish wireless-WAN connection.  |
| <b>28</b>              | 5G antenna connector(internal)          | 5G antenna cable             | If the computer supports 5G, connect one end of the 5G antenna and the other end to this connector.                 |

## Looking up FRU information

For detailed FRU information, including part numbers, descriptions, and substitution part numbers, go to:

<https://support.lenovo.com/partslookup>



---

## Chapter 8. FRU replacement notices

This chapter presents notices related to removing and replacing parts. Read this chapter carefully before replacing any FRU.

### CRU statement for customers:

You can resolve some problems with your product with a replacement part you can install yourself, called a “Customer Replaceable Unit” or “CRU.” Some CRUs are designated as self-service CRUs and others are designated as optional-service CRUs. *Installation of self-service CRUs is your responsibility. For optional-service CRUs, you can either install the CRU yourself or you can request that a Service Provider install the CRU according to the warranty service for your product.* If you intend on installing the CRU, Lenovo will ship the CRU to you. CRU information and replacement instructions are shipped with your product and are available from Lenovo at any time upon request. You can find a list of CRUs for your product in this *Hardware Maintenance Manual*. An electronic version of this manual can be found at <https://support.lenovo.com>. Click **Documentation** and then follow the on-screen instructions to find the manual for your product. You might be required to return the defective CRU. When return is required: (1) return instructions, a prepaid shipping label, and a container will be included with the replacement CRU; and (2) you might be charged for the replacement CRU if Lenovo does not receive the defective CRU within thirty (30) days of your receipt of the replacement CRU. See your Lenovo Limited Warranty documentation for full details.

---

## Service tool kit

Ensure that the following service tool kit is prepared before you service a ThinkPad notebook computer.

| No. | Tool name                 | Tool type       |
|-----|---------------------------|-----------------|
| 1   | Phillips-head screwdriver | Common tool     |
| 2   | Torx-head screwdriver     | Common tool     |
| 3   | Conductive tweezers       | Common tool     |
| 4   | Hexagonal socket          | Common tool     |
| 5   | Silicone grease           | Consumable tool |
| 6   | Polyamide tape            | Consumable tool |
| 7   | Mylar tape                | Consumable tool |
| 8   | Eraser                    | Consumable tool |
| 9   | Electrical tape           | Consumable tool |
| 10  | Double-sided tape         | Consumable tool |
| 11  | Conductive tape           | Consumable tool |

**Note:** The silicone grease can be applied to the surfaces of the microprocessor and heatsink to eliminate air gaps. The hexagonal socket is used to pick up the antenna connectors.

---

## Screw notices

Loose screws can cause a reliability problem. In the ThinkPad notebook computer, this problem is addressed with special nylon-coated screws that have the following characteristics:

- They maintain tight connections.

- They do not easily come loose, even with shock or vibration.
- They are harder to tighten.

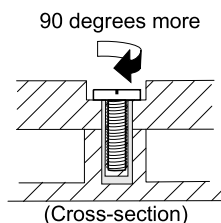
Do the following when you service this machine:

- Keep the screw kit in your tool bag. For the part number of the screw kit, go to <https://support.lenovo.com/partslookup>.
- It is recommended to use new screws.
- It is recommended to use each screw only once.

Tighten screws as follows:

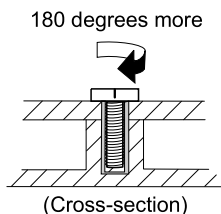
- **Plastic to plastic**

Turn an additional 90 degrees after the screw head touches the surface of the plastic part.



- **Logic card to plastic**

Turn an additional 180 degrees after the screw head touches the surface of the logic card.



**Notes:**

- Ensure that you use the correct screw. It is recommended to use new screws for replacements. If you have a torque screwdriver, tighten all screws firmly to the torque specified in the screw information table for each step.
- Ensure that torque screwdrivers are calibrated correctly following country specifications.

## Retaining serial numbers

This section includes the following descriptions:

- “Restoring the serial number of the system unit” on page 62
- “Retaining the UUID” on page 63

## Restoring the serial number of the system unit

When the computer was manufactured, the EEPROM on the system board was loaded with the serial numbers of the system and all major components. These numbers need to remain the same throughout the life of the computer.

If you replace the system board, you must restore the serial number of the system unit to its original value.

The serial number of the system unit is written on the label attached to the bottom of the computer.

If you can not find the serial number of the system unit on the bottom of the computer, try the following method to get the number:

**Note:** Before you perform the operation, ensure that the UEFI/Legacy setting within the **Startup** menu in the ThinkPad Setup program is set to **UEFI Only**.

1. Connect a USB memory key to the computer.
2. Go to <https://www.lenovo.com/maintenanceutilities> and follow the instructions on the screen to create a Maintenance Key.

**Note:** Only an authorized Lenovo service technician can access the above Web site.

3. Restart the computer.
4. When the logo is displayed, press Esc. The ThinkPad Config Information Update Utility interface is displayed.
5. Type 1 under **Enter the action desired**, then press Enter. The ThinkPad Serial Number Update Utility for Asset ID screen is displayed.
6. Type 2 under **Enter the action desired**, then press Enter. The serial number of each device in your computer is displayed; the serial number of the system unit is listed as follow:  
**20-** Serial number
7. Record the serial number of the system unit.

After you replace the system board, do the following to restore the serial number of the system unit:

1. Connect the Maintenance Key to the computer.
2. When the logo is displayed, press Esc. The ThinkPad Config Information Update Utility interface is displayed.
3. Type 1 under **Enter the action desired**, then press Enter. The ThinkPad Serial Number Update Utility for Asset ID screen is displayed.
4. Type 1 under **Enter the action desired**, then press Enter. Then follow the instructions on the screen to restore the serial number of the system unit.

## Retaining the UUID

The Universally Unique Identifier (UUID) is a 128-bit number uniquely assigned to your computer at production and stored in the EEPROM of your system board.

The algorithm that generates the number is designed to provide unique IDs until the year A.D. 3400. No two computers in the world have the same number.

When you replace the system board, perform the following steps to create a new UUID for the system board if the system board does not have a UUID:

**Note:** Before you perform the operation, ensure that the UEFI/Legacy setting within the **Startup** menu in the ThinkPad Setup program is set to **UEFI Only**.

1. Connect a USB memory key to the computer.
2. Go to <https://www.lenovo.com/maintenanceutilities> and follow the instructions on the screen to create a Maintenance Key.

**Note:** Only an authorized Lenovo service technician can access the above Web site.

3. Restart the computer.
4. When the logo screen is displayed, press Esc. The ThinkPad Config Information Update Utility interface is displayed.
5. Type 2 under **Enter the action desired**, then press Enter. The Auto UUID generation utility interface is displayed.

6. Type y under **Change UUID. OK? [Y/N]**, then press Enter. A new UUID is created and written. If a valid UUID already exists, it is not overwritten.

## Reading or writing the ECA information

Information on Engineering Change Announcements (ECA) is stored in the EEPROM of the system board. The electronic storage of this information simplifies the procedure to check if the ECA has been previously applied to a machine. The machine does not need to be disassembled to check for the ECA application.

To check what ECAs have been previously applied to the machine, use the ECA Information Read/Write function on the LENOVO ThinkPad Hardware Maintenance Diskette or Maintenance Key.

1. Insert the latest version of LENOVO ThinkPad Hardware Maintenance Diskette or Maintenance Key, and then restart the computer.
2. From the main menu, select **6. Set ECA Information**.
3. To read the ECA information, select **2. Read ECA/rework number from EEPROM** and follow the instructions on the screen; To read box build date, select **5. Read box build date from EEPROM**, and follow the instructions on the screen.

After an ECA has been applied to the machine, the EEPROM must be updated to reflect the ECA's application. Use the latest version of LENOVO ThinkPad Hardware Maintenance Diskette or Maintenance Key to update the EEPROM.

**Note:** Only the ECA number is stored in the EEPROM. The machine type of the ECA is assumed to be the same as the machine type of the machine that had the ECA applied to it.

1. Insert the latest version of LENOVO ThinkPad Hardware Maintenance Diskette or Maintenance Key, and then restart the computer.
2. From the main menu, select **6. Set ECA Information**.
3. To write the ECA information, select **1. Write ECA/rework number from EEPROM**, and follow the instruction; To write box build date, select **4. Write box build date from EEPROM**, and follow the instruction on the screen.

If the system board is being replaced, try to read the ECA information from the old system board and transfer the information to the new system. If the system board is inoperable, this will not be possible.

---

## Chapter 9. Removing or replacing a FRU

This chapter provides instructions on how to remove or replace a FRU.

### CRU statement for customers:

You can resolve some problems with your product with a replacement part you can install yourself, called a “Customer Replaceable Unit” or “CRU.” Some CRUs are designated as self-service CRUs and others are designated as optional-service CRUs. *Installation of self-service CRUs is your responsibility. For optional-service CRUs, you can either install the CRU yourself or you can request that a Service Provider install the CRU according to the warranty service for your product.* If you intend on installing the CRU, Lenovo will ship the CRU to you. CRU information and replacement instructions are shipped with your product and are available from Lenovo at any time upon request. You can find a list of CRUs for your product in this *Hardware Maintenance Manual*. An electronic version of this manual is available for downloading at <https://support.lenovo.com>. Follow the on-screen instructions to find the manual for your product. You might be required to return the defective CRU. When return is required: (1) return instructions, a prepaid shipping label, and a container will be included with the replacement CRU; and (2) you might be charged for the replacement CRU if Lenovo does not receive the defective part within thirty (30) days of your receipt of the replacement CRU. See your Lenovo Limited Warranty documentation for full details.

---

### General guidelines

When removing or replacing a FRU, be sure to observe the following general guidelines:

1. Do not try to service any computer unless you have been trained and certified. An untrained person runs the risk of damaging parts.
2. Before replacing any FRU, review Chapter 8 “FRU replacement notices” on page 61.
3. Begin by removing any FRUs that have to be removed before replacing the failing FRU. Any such FRUs are listed at the beginning of each FRU replacement section. Remove them in the order in which they are listed.
4. Follow the correct sequence in the steps for removing a FRU, as given in the illustrations by the numbers in square callouts.
5. When turning a screw, turn it in the direction as given by the arrow in the illustration.
6. When removing a FRU, move it in the direction as given by the arrow in the illustration.
7. To put the new FRU in place, reverse the removal procedure and follow any notes that pertain to replacement.
8. When replacing a FRU, use the correct screws as shown in the replacement procedures.



**Before removing any FRU, turn off the computer, unplug all power cords from electrical outlets, remove the battery pack, and then disconnect any interconnecting cables.**

### Attention:

- After replacing a FRU, do not turn on the computer until you have made sure that all screws, springs, and other small parts are in place and none are loose inside the computer. Verify this by shaking the computer gently and listening for rattling sounds. Metallic parts or metal flakes can cause electrical short circuits.

- The system board is sensitive to, and can be damaged by, electrostatic discharge (ESD). Before touching it, establish personal grounding by touching a ground point with one hand or by using an electrostatic discharge strap.

---

## Before servicing the computer

Carefully read this topic before servicing the computer.

### Disable the built-in battery

Before replacing any FRU/CRU, ensure that you disable the built-in battery.

To disable Fast Startup, do the following:

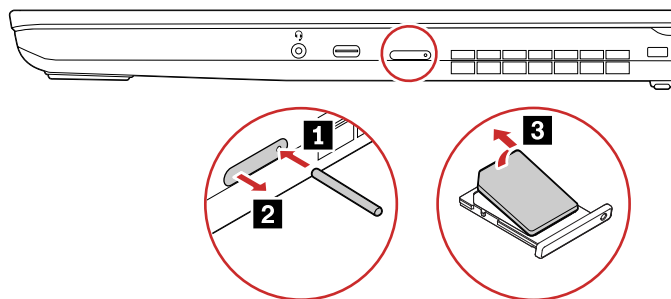
1. Go to Control Panel, and then change the view of Control Panel from Category to Large icons or Small icons.
2. Click **Power Options**, and then click **Choose what the power buttons do** on the left pane.
3. Click **Change settings that are currently unavailable** at the top.
4. If prompted by User Account Control (UAC), click **Yes**.
5. Clear the **Turn on fast startup** check box, and then click **Save changes**.

To disable the built-in battery, do the following:

1. Restart your computer. When the logo screen is displayed, immediately press F1 to enter ThinkPad Setup.
2. Select **Config** → **Power**. The **Power** submenu is displayed.
3. Select **Disable built-in battery** and press Enter.
4. Select **Yes** in the Setup Confirmation window. The built-in battery is disabled and the computer turns off automatically. Wait three to five minutes to let the computer cool.

### Removing the nano-SIM card

If the computer has a nano-SIM card installed, you need to remove the nano-SIM card before you start the servicing.



After you finish the servicing, ensure that you install the nano-SIM card back into the slot firmly.

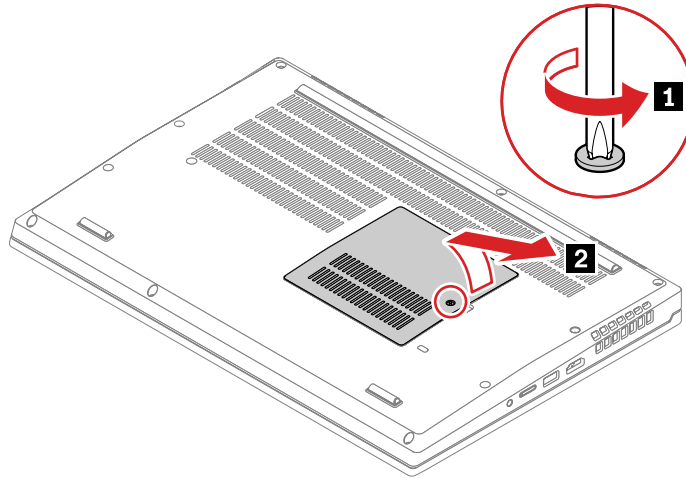
---

## Removing a major FRU

This section provides instructions on how to remove a major FRU.

## 1010 Bottom door

### Removal steps of the bottom door



## 1020 M.2 solid-state drive

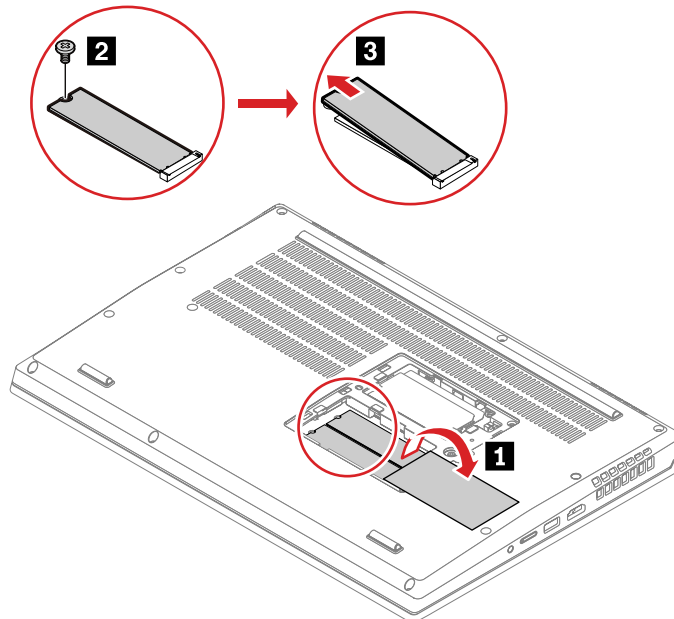
For access, remove these FRUs:

- “1010 Bottom door” on page 67

### Attention:

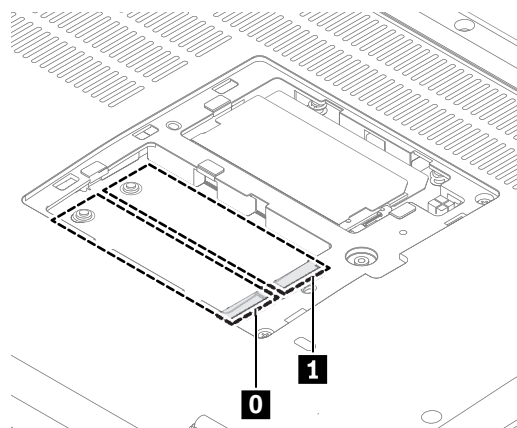
- Do not drop the drive or apply any physical shock to it. The drive is sensitive to physical shock. Improper handling can cause damage and permanent loss of data.
- Before removing the drive, have the user make a backup copy of all the information on it if possible.
- Never remove the drive while the system is operating or in suspend mode.

### Removal steps of the M.2 solid-state drive



| Step     | Screw (quantity)                       | Color | Torque                    |
|----------|--|-------|---------------------------|
| <b>2</b> | M2 × 3 mm, flat-head, nylon-coated (1) | Black | 0.181 Nm<br>(1.85 kgf-cm) |

**When installing:** If your computer is installed with only one M.2 solid-state drive, ensure that the M.2 solid-state drive is installed into slot **0**.

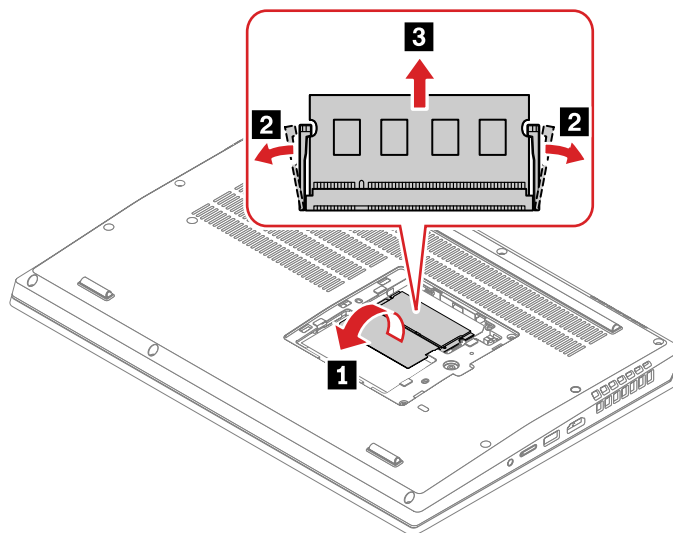


## 1030 Memory module under the bottom door

For access, remove these FRUs:

- “1010 Bottom door” on page 67

### Removal steps of the memory module under the bottom door



### When installing:

- If your computer is installed with only one memory module, ensure that the memory module is installed into the lower memory slot.
- Ensure that the memory module is firmly installed in the slot and does not move easily.

## 1040 Keyboard

For access, remove these FRUs:

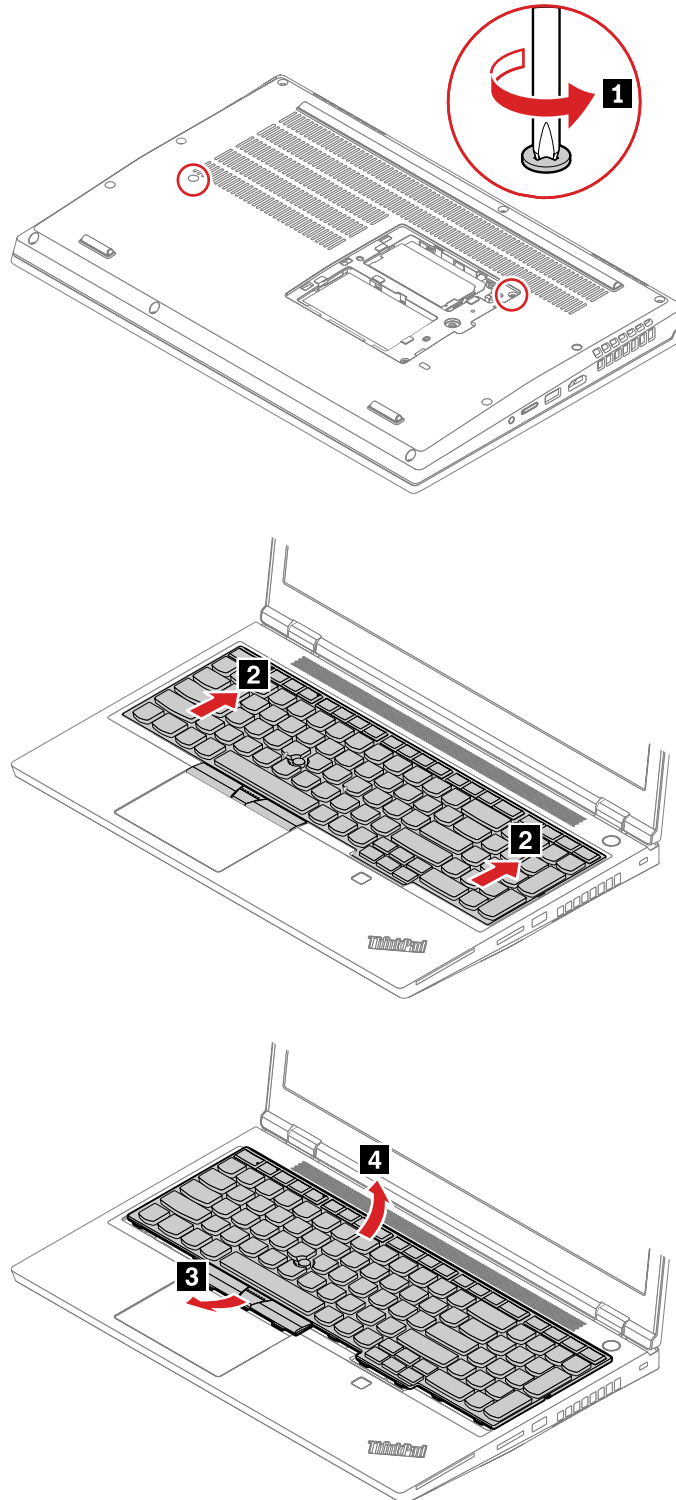


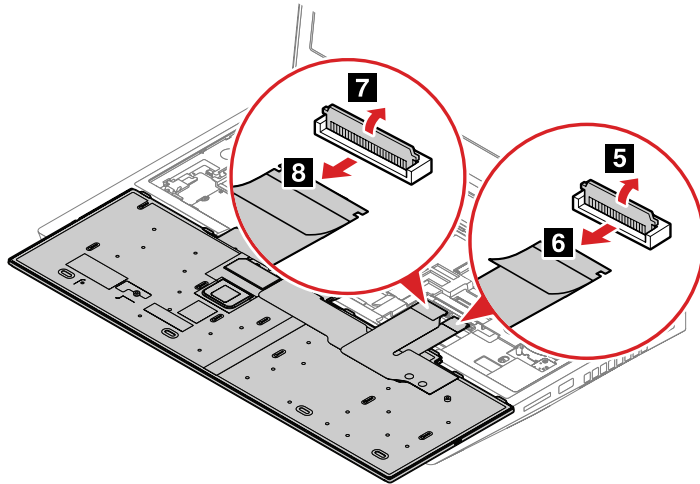
- “1010 Bottom door” on page 67

### Removal steps of the keyboard

#### Notes:

- Depending on the model, your computer might look different from the illustrations in this topic.



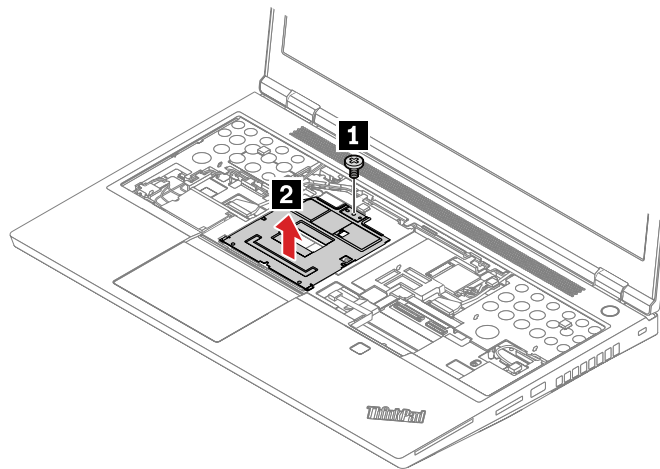


## 1050 Memory module bracket and memory module under the keyboard

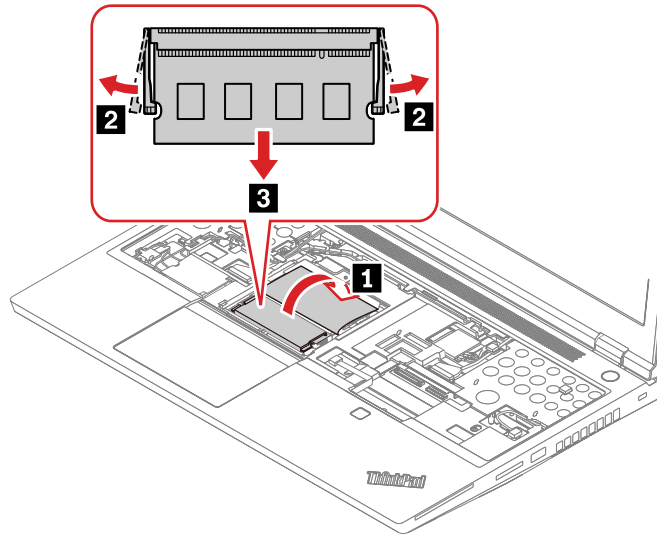
For access, remove these FRUs:

- “1010 Bottom door” on page 67
- “1040 Keyboard” on page 68

### Removal steps of the memory module bracket and memory module under the keyboard



| Step     | Screw (quantity)                       | Color | Torque                    |
|----------|--|-------|---------------------------|
| <b>1</b> | M2 × 3 mm, flat-head, nylon-coated (1) | Black | 0.181 Nm<br>(1.85 kgf-cm) |

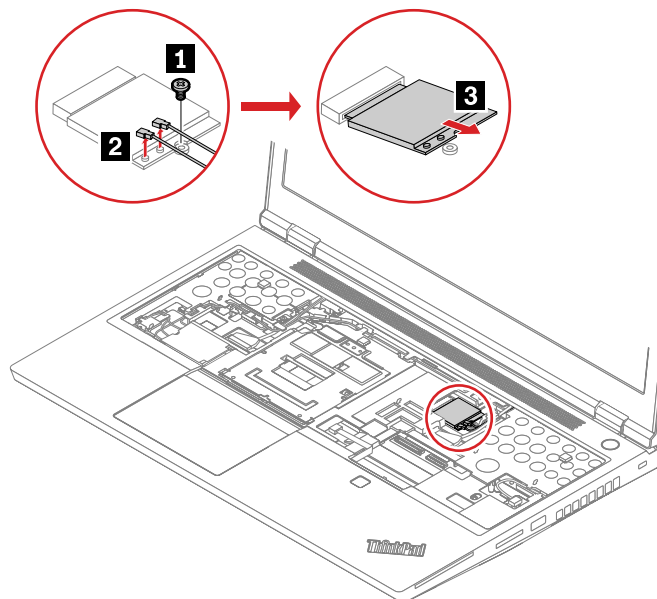


## 1060 Wireless LAN card

For access, remove these FRUs:

- “1010 Bottom door” on page 67
- “1040 Keyboard” on page 68

### Removal steps of the wireless LAN card



| Step     | Screw (quantity)                       | Color | Torque                    |
|----------|--|-------|---------------------------|
| <b>1</b> | M2 × 3 mm, flat-head, nylon-coated (1) | Black | 0.181 Nm<br>(1.85 kgf-cm) |

### When installing:

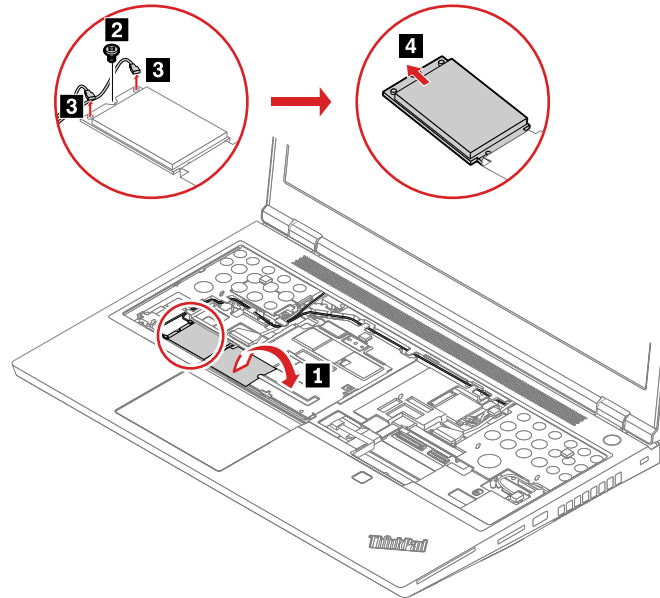
Plug the gray cable into the main connector on the card; and plug the black cable into the auxiliary connector on the card.

## 1070 Wireless WAN card

For access, remove these FRUs:

- “1010 Bottom door” on page 67
- “1040 Keyboard” on page 68

### Removal steps of the wireless WAN card



| Step | Screw (quantity)                       | Color | Torque                    |
|------|--|-------|---------------------------|
| 2    | M2 × 3 mm, flat-head, nylon-coated (1) | Black | 0.181 Nm<br>(1.85 kgf-cm) |

### When installing:

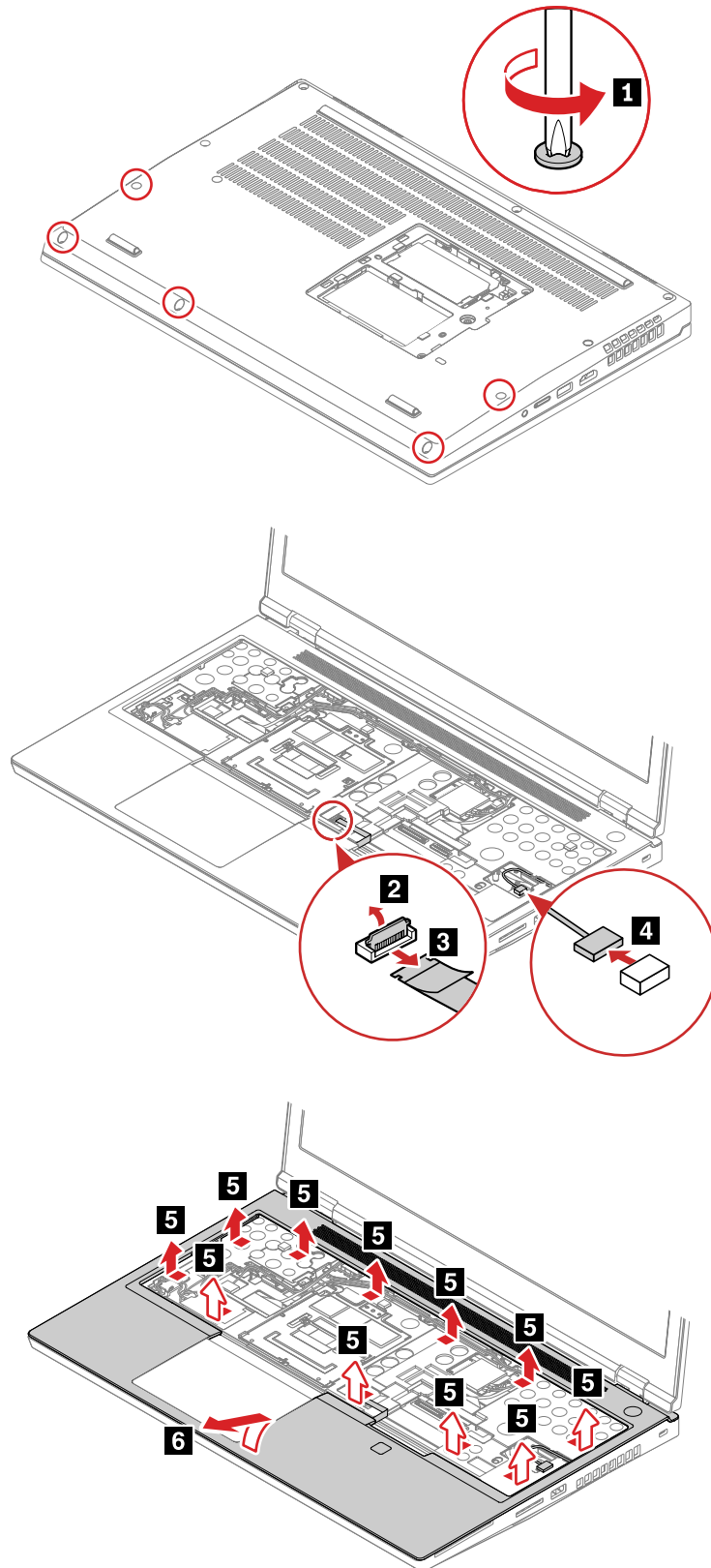
Plug the orange cable into the main connector on the card; and plug the blue cable into the auxiliary connector on the card.

## 1080 Keyboard bezel assembly

For access, remove these FRUs:

- “1010 Bottom door” on page 67
- “1040 Keyboard” on page 68

## Removal steps of keyboard bezel assembly



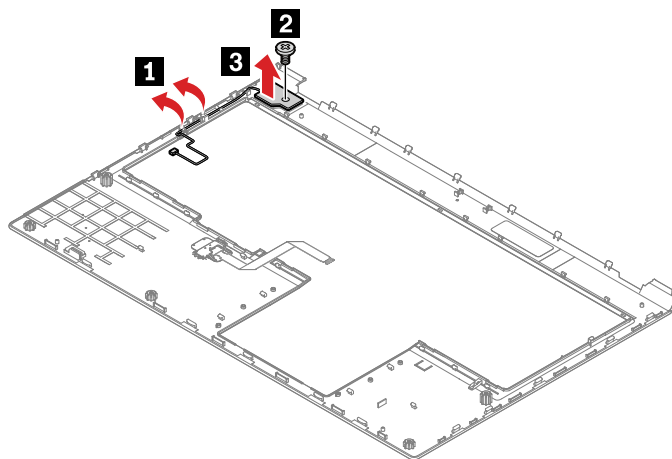
**When installing:** Ensure that all the latches are well assembled and there is no abnormal gap.

## 1090 Power button board with cable

For access, remove these FRUs in order:

- “1010 Bottom door” on page 67
- “1040 Keyboard” on page 68
- “1080 Keyboard bezel assembly” on page 72

### Removal steps of the power button board with cable



| Step     | Screw (quantity)                       | Color | Torque                    |
|----------|--|-------|---------------------------|
| <b>2</b> | M2 × 3 mm, flat-head, nylon-coated (1) | Black | 0.181 Nm<br>(1.85 kgf-cm) |

### When installing:

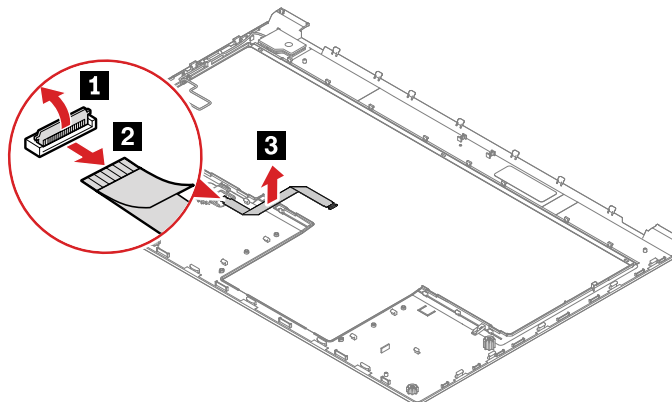
Ensure that the connector is attached firmly.

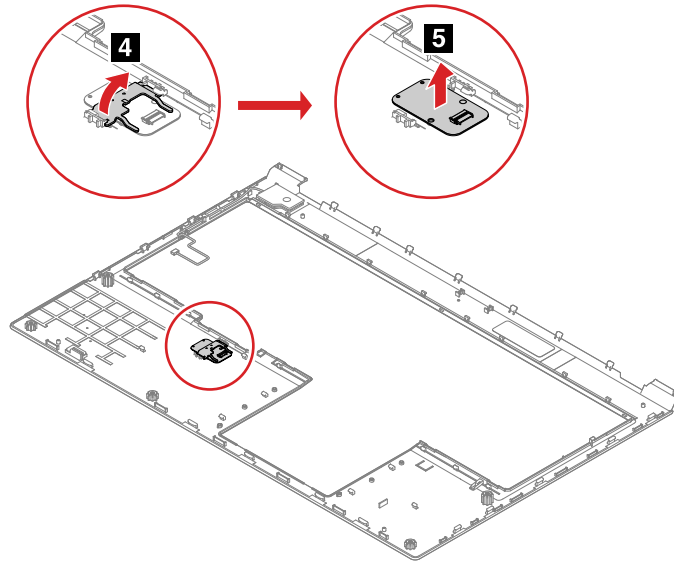
## 1100 Fingerprint reader cable, bracket and board

For access, remove these FRUs in order:

- “1010 Bottom door” on page 67
- “1040 Keyboard” on page 68
- “1080 Keyboard bezel assembly” on page 72

### Removal steps of the fingerprint reader cable, bracket and board





**When installing:**

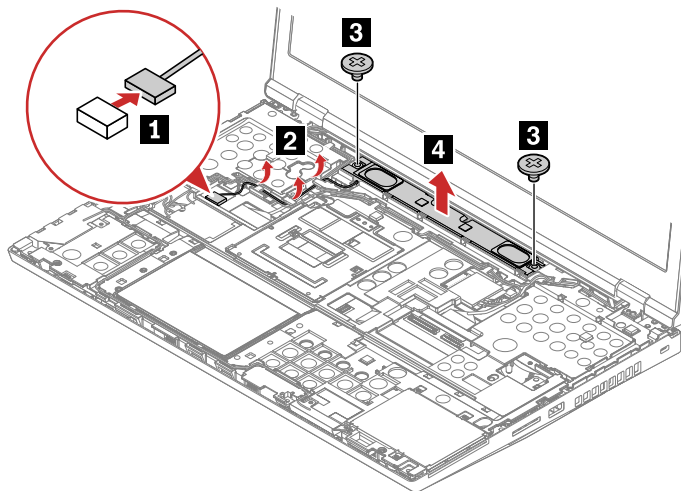
Ensure that the connector is attached firmly.

**1110 Speaker assembly**

For access, remove these FRUs:

- “1010 Bottom door” on page 67
- “1040 Keyboard” on page 68
- “1080 Keyboard bezel assembly” on page 72

**Removal steps of the speaker assembly**



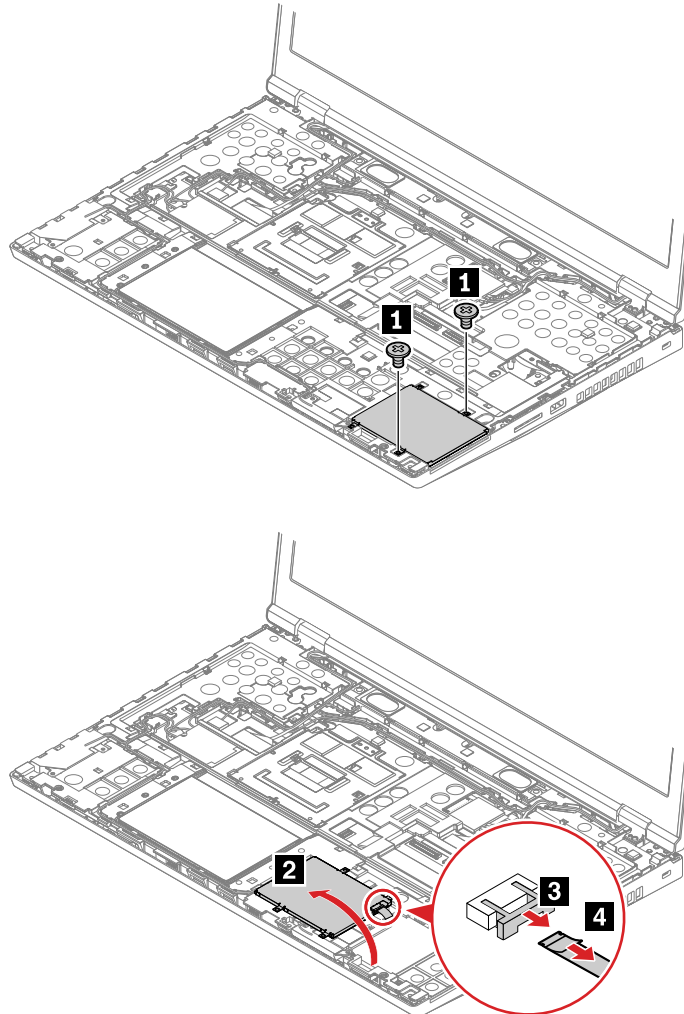
| Step     | Screw (quantity)                       | Color | Torque                    |
|----------|--|-------|---------------------------|
| <b>3</b> | M2 × 3 mm, flat-head, nylon-coated (2) | Black | 0.181 Nm<br>(1.85 kgf-cm) |

**1120 Smart card reader and smart card reader cable**

For access, remove these FRUs:

- “1010 Bottom door” on page 67
- “1040 Keyboard” on page 68
- “1080 Keyboard bezel assembly” on page 72

### Removal steps of the smart card reader and smart card reader cable



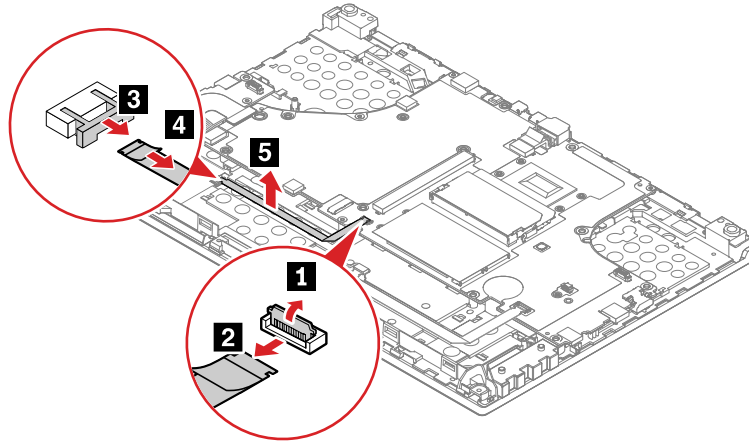
| Step     | Screw (quantity)                       | Color | Torque                    |
|----------|--|-------|---------------------------|
| <b>1</b> | M2 × 3 mm, flat-head, nylon-coated (2) | Black | 0.181 Nm<br>(1.85 kgf-cm) |

### Removal steps of the smart card reader cable

For access, remove these FRUs:

- “1010 Bottom door” on page 67
- “1040 Keyboard” on page 68
- “1080 Keyboard bezel assembly” on page 72
- “1140 Bottom cover” on page 78



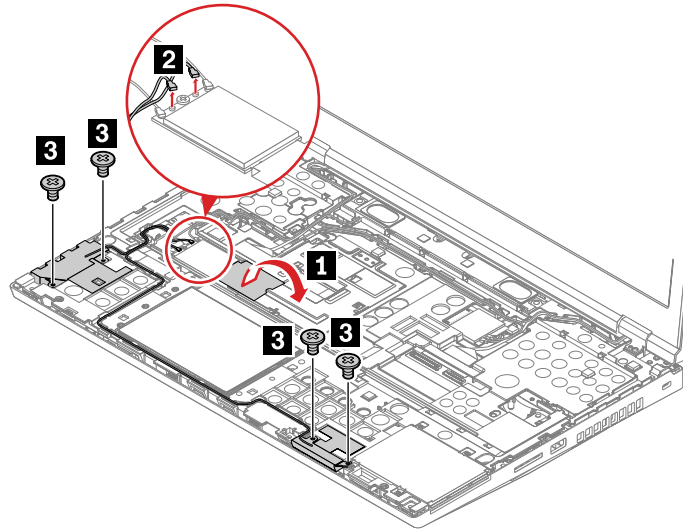


## 1130 MIMO wireless-WAN antenna assembly with cable

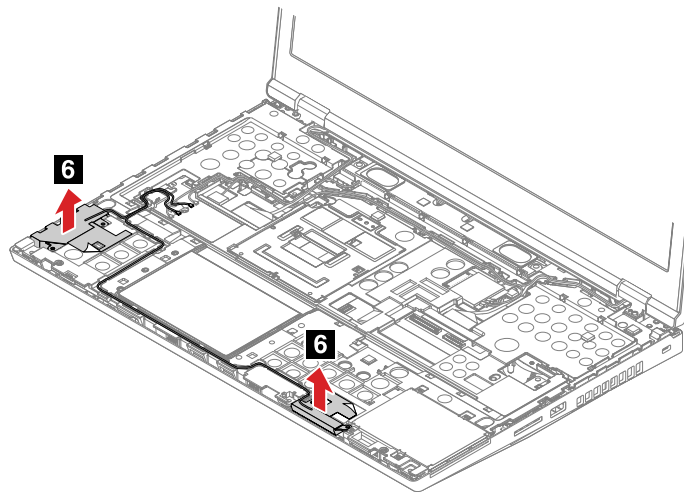
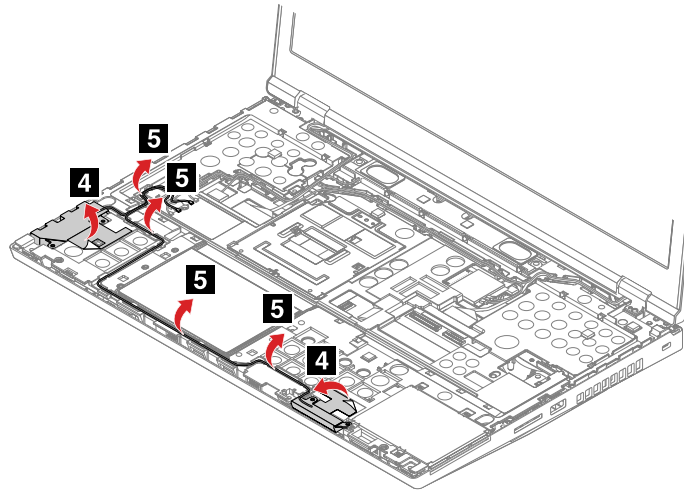
For access, remove these FRUs:

- “1010 Bottom door” on page 67
- “1040 Keyboard” on page 68
- “1080 Keyboard bezel assembly” on page 72

### Removal steps of the MIMO wireless-WAN antenna assembly with cable



| Step     | Screw (quantity)                       | Color | Torque                    |
|----------|--|-------|---------------------------|
| <b>3</b> | M2 × 3 mm, flat-head, nylon-coated (4) | Black | 0.181 Nm<br>(1.85 kgf-cm) |

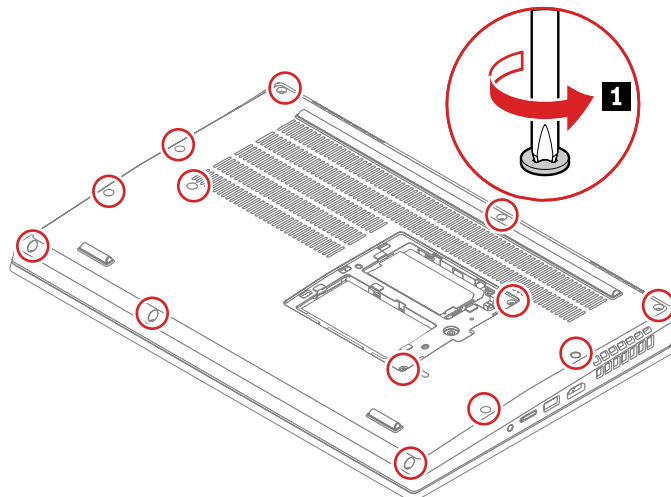


## 1140 Bottom cover

For access, remove these FRUs:

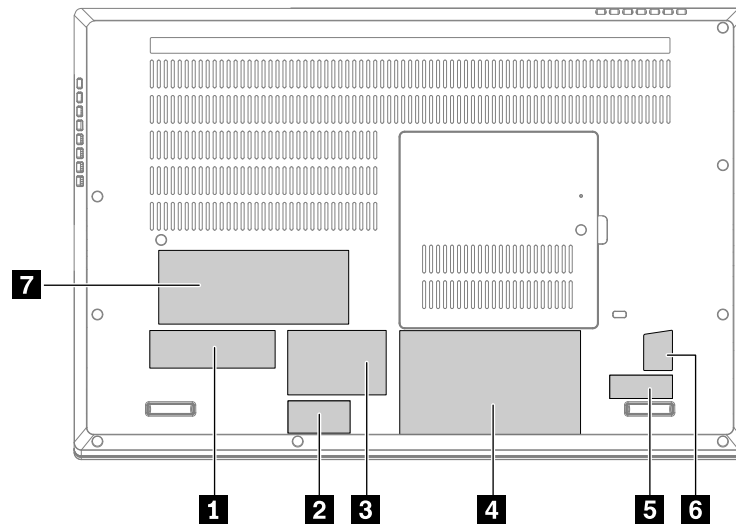
- “1010 Bottom door” on page 67

### Removal steps of the bottom cover



## Label locations on the base cover assembly

The following illustration shows the location of each label.



**1** COA label

**3** Country label

**5** Serial number label

**7** GEO label

**2** IMEI label

**4** Asset tag label

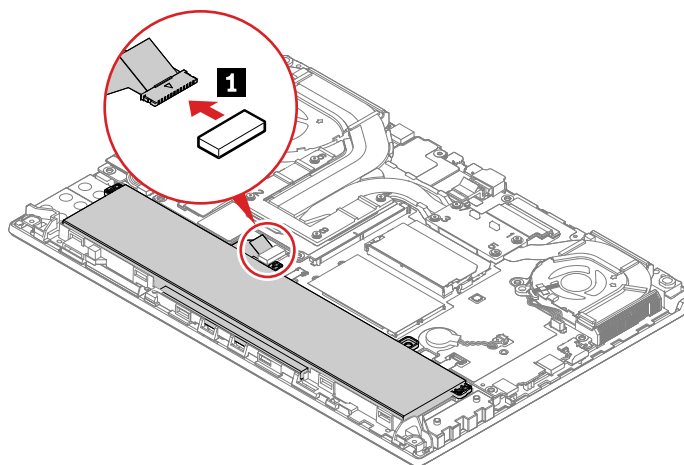
**6** Genuine Microsoft label (GML)

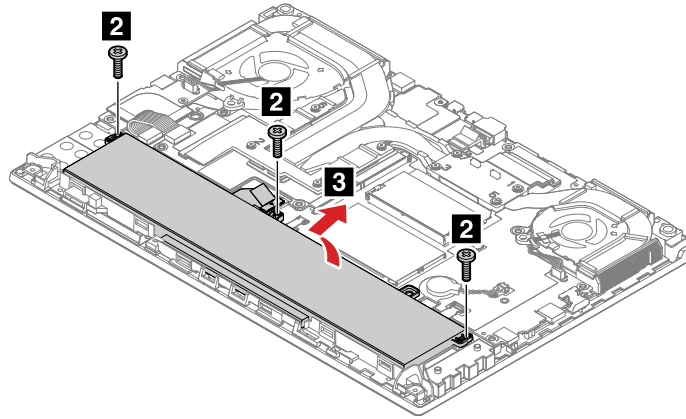
## 1150 Built-in battery

For access, remove these FRUs:

- “1010 Bottom door” on page 67
- “1140 Bottom cover” on page 78

### Removal steps of the built-in battery





| Step | Screw (quantity)               | Color | Torque                    |
|------|--------------------------------|-------|---------------------------|
| 2    | M2 × 8 mm flat-head coated (3) | Black | 0.181 Nm<br>(1.85 kgf-cm) |

## 1160 Coin-cell battery

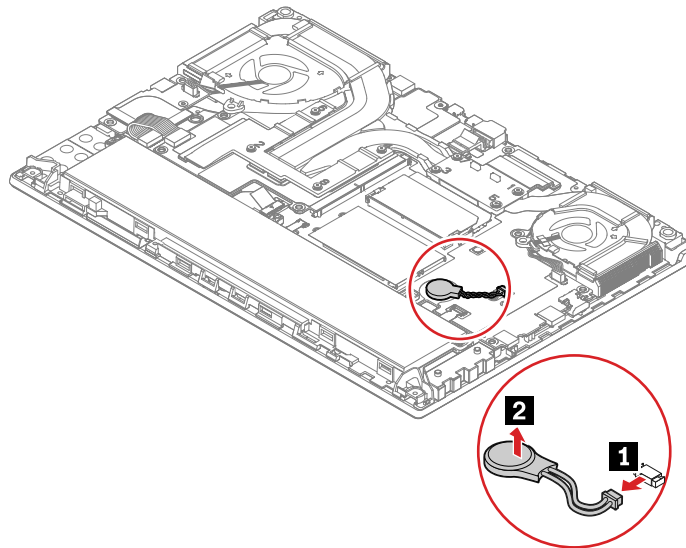
For access, remove these FRUs:

- “1010 Bottom door” on page 67
- “1140 Bottom cover” on page 78



**Use only the authorized battery specified for your computer. Any other battery could ignite or explode.**

### Removal steps of the coin-cell battery



#### When installing:

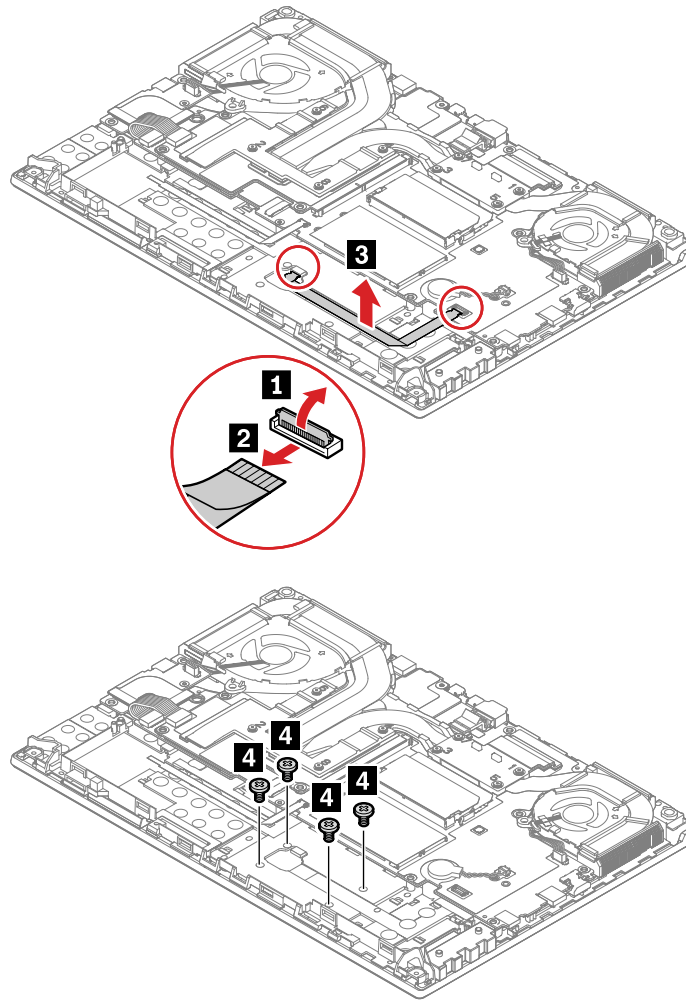
Ensure that the coin-cell battery connector is attached firmly.

## 1170 Trackpad and trackpad cable

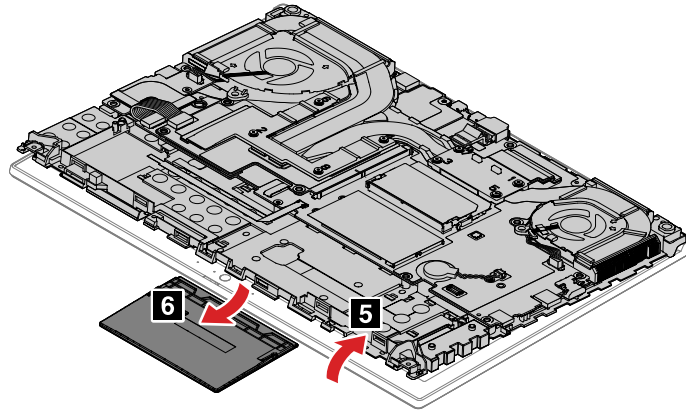
For access, remove these FRUs in order:

- “1010 Bottom door” on page 67
- “1140 Bottom cover” on page 78
- “1150 Built-in battery” on page 79

### Removal steps of the trackpad and trackpad cable



| Step | Screw (quantity)                       | Color | Torque                   |
|------|--|-------|--------------------------|
| 4    | M2 × 2 mm, flat-head, nylon-coated (4) | Black | 0.143 Nm<br>(1.4 kgf-cm) |



**When installing:**

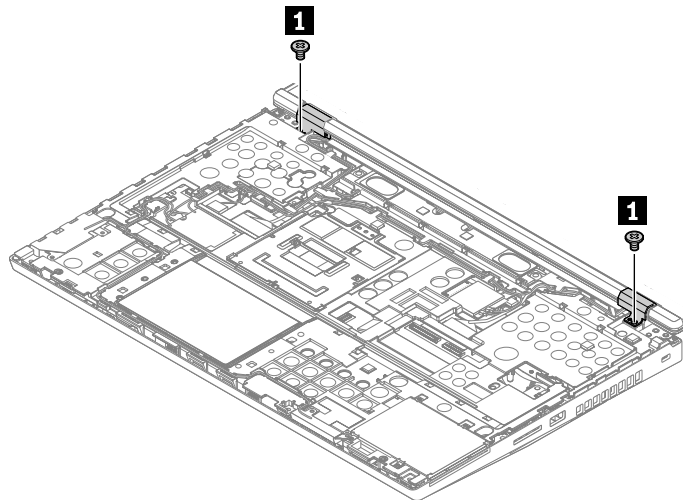
Ensure that the connector is attached firmly.

**1180 Hinge caps**

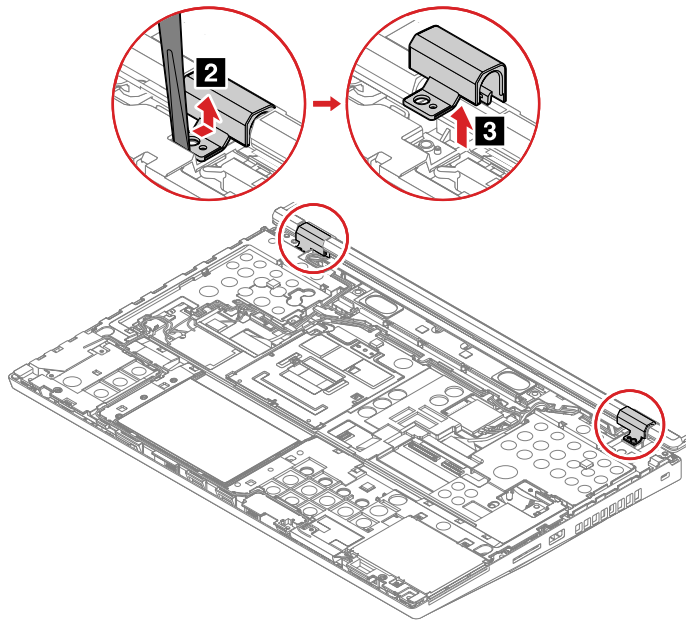
For access, remove these FRUs:

- “1010 Bottom door” on page 67
- “1040 Keyboard” on page 68
- “1080 Keyboard bezel assembly” on page 72
- “1140 Bottom cover” on page 78

**Removal steps of the hinge caps**



| Step     | Screw (quantity)                          | Color | Torque                   |
|----------|---|-------|--------------------------|
| <b>1</b> | M 2.0 × 3 mm, flat-head, nylon-coated (2) | Black | 0.294 Nm<br>(3.0 kgf-cm) |

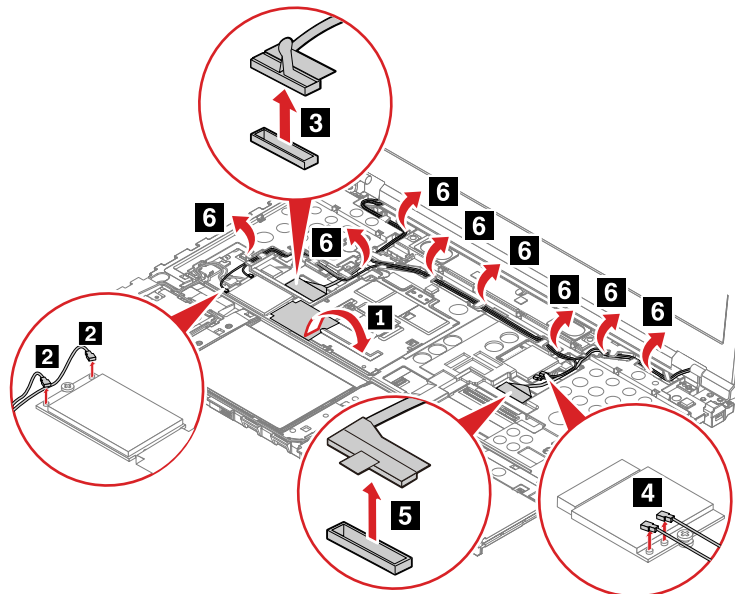


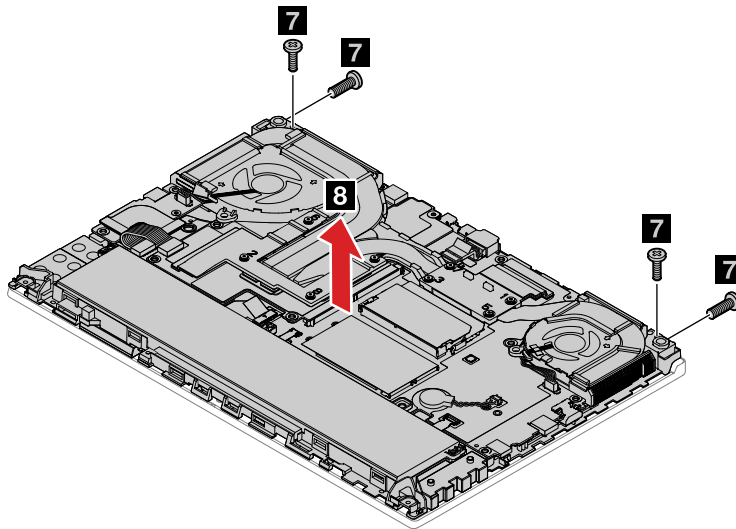
## 1190 LCD unit

For access, remove these FRUs:

- “1010 Bottom door” on page 67
- “1040 Keyboard” on page 68
- “1080 Keyboard bezel assembly” on page 72
- “1140 Bottom cover” on page 78
- “1180 Hinge caps” on page 82

### Removal steps of the LCD unit





| Step | Screw (quantity)                         | Color | Torque                   |
|------|--|-------|--------------------------|
| 7    | M2.5 × 8 mm, flat-head, nylon-coated (4) | Black | 0.294 Nm<br>(3.0 kgf-cm) |

#### When installing:

Ensure that you route the cables firmly and tape up in the proper positions.

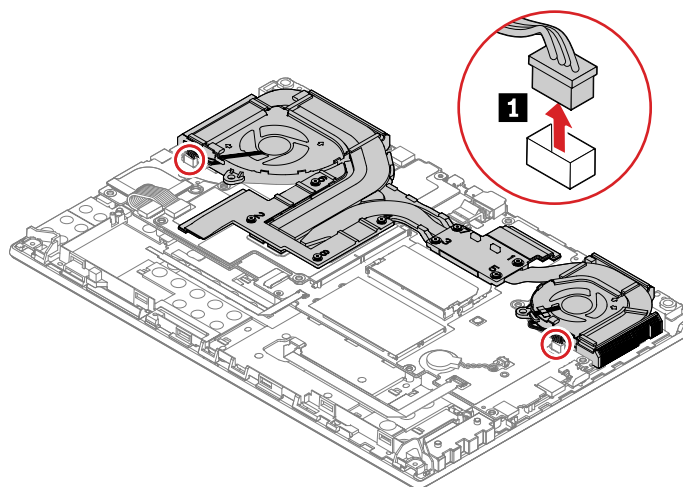
**Attention:** When you route the cables, ensure that they are not subject to any tension. Tension could cause the cables to be damaged by the cable guides, or a wire to be broken.

## 1200 Thermal fan assembly

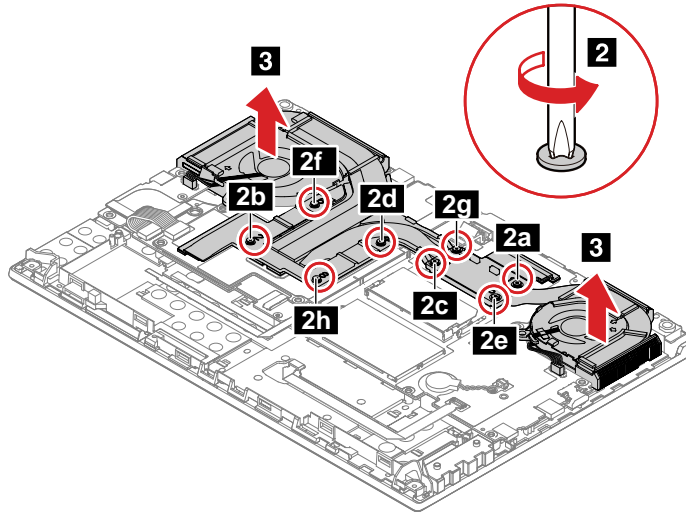
For access, remove these FRUs:

- “1010 Bottom door” on page 67
- “1040 Keyboard” on page 68
- “1080 Keyboard bezel assembly” on page 72
- “1140 Bottom cover” on page 78

#### Removal steps of the thermal fan assembly

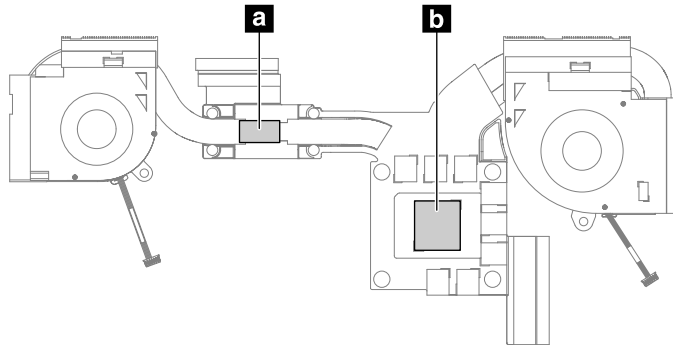






**When installing:**

- Ensure that the connector is attached firmly.
- Do not press the top of the fan cover and the fan hub.
- Before you attach the fan assembly to the computer, apply thermal grease, at an amount of 0.2 grams, on the parts marked **a** and **b** as shown in the following illustrations. Either too much or too less application of grease can cause a thermal problem due to imperfect contact with a component.

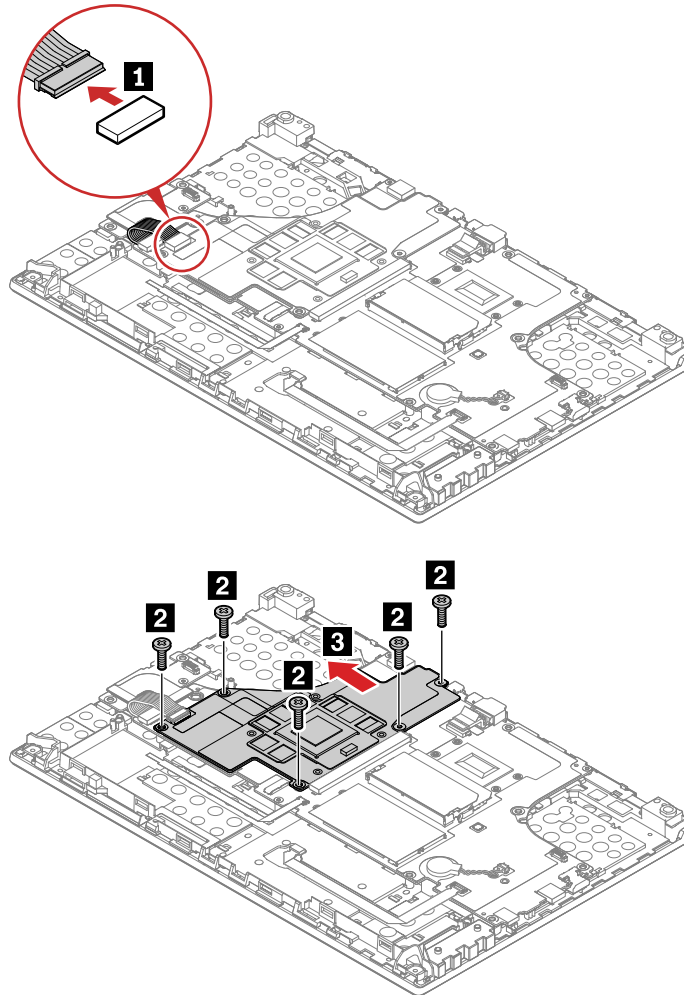


**1210 GPU board**

For access, remove these FRUs in order:

- “1010 Bottom door” on page 67
- “1140 Bottom cover” on page 78
- “1200 Thermal fan assembly” on page 84

## Removal steps of the GPU board



| Step | Screw (quantity)                       | Color | Torque                    |
|------|--|-------|---------------------------|
| 2    | M2 × 8 mm, flat-head, nylon-coated (4) | Black | 0.181 Nm<br>(1.85 kgf-cm) |

## 1220 System board

### Important notices for handling the system board:

When handling the system board, read the following:

- The system board has an accelerometer, which can be broken when several thousands of G-forces are applied.

**Note:** Dropping a system board from a height of as little as 6 inches so that it falls flat on a hard bench can subject the accelerometer to as much as 6000 G's of shock.

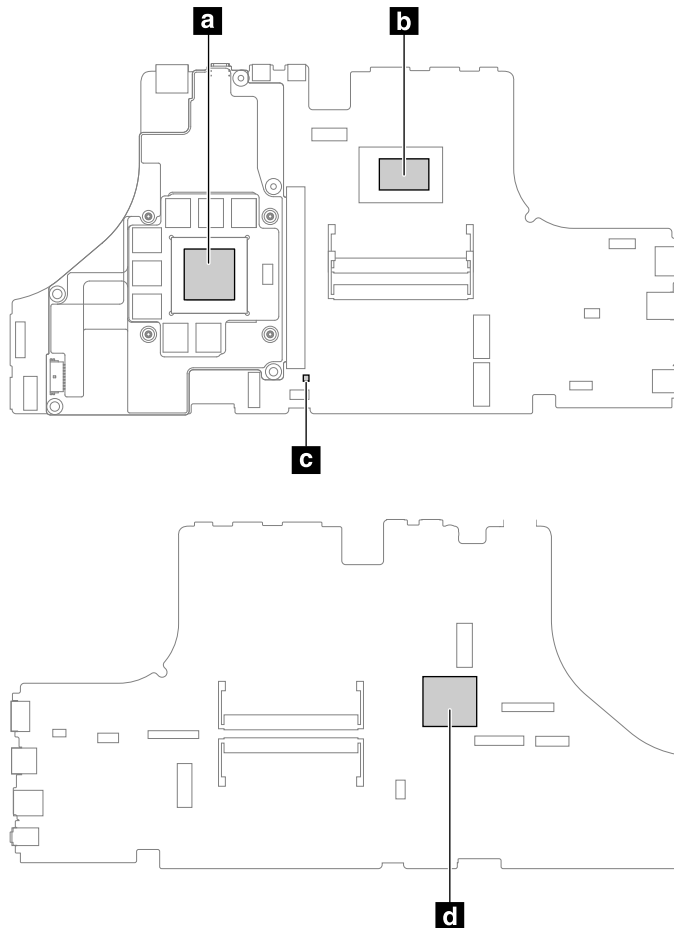
- Be careful not to drop the system board on a bench top that has a hard surface, such as metal, wood, or composite.
- Avoid rough handling of any kind.
- At every point in the process, be sure not to drop or stack the system board.
- If you put a system board down, be sure to put it only on a padded surface such as an ESD mat or a corrugated conductive surface.

For access, remove these FRUs in order:

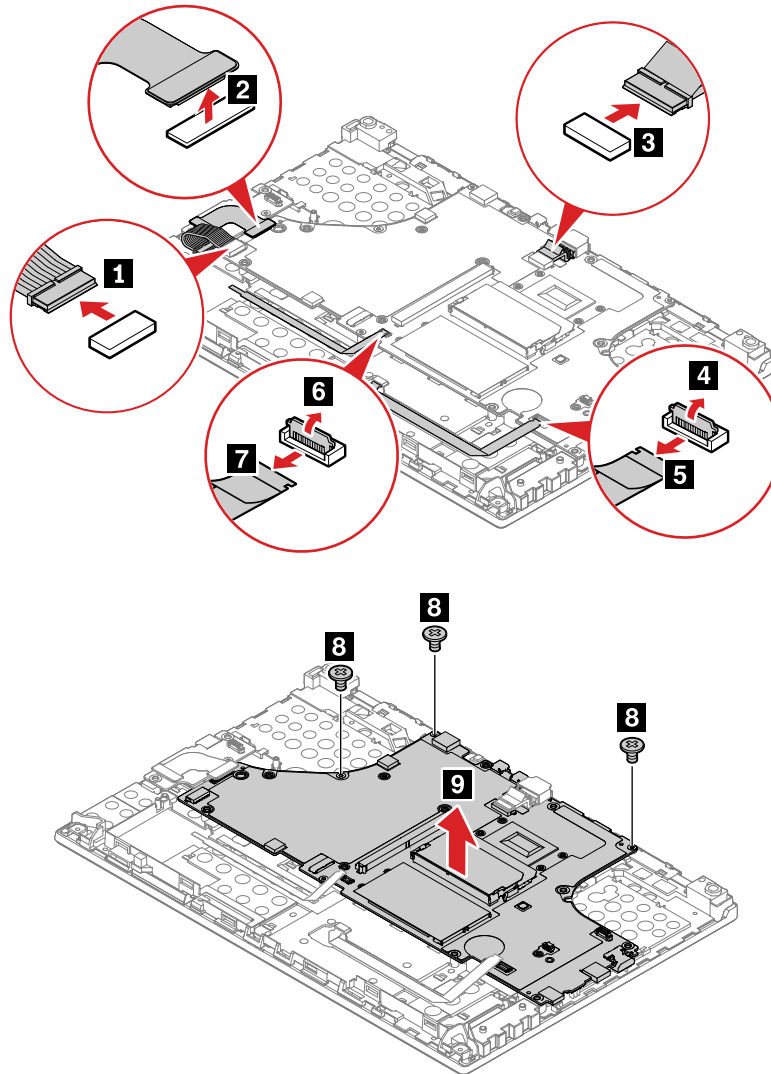
- “1010 Bottom door” on page 67
- “1020 M.2 solid-stat drive” on page 67
- “1030 Memory module under the bottom door” on page 68
- “1040 Keyboard” on page 68
- “1050 Memory module bracket and memory module under the keyboard” on page 70
- “1060 Wireless LAN card” on page 71
- “1070 Wireless WAN card” on page 72
- “1140 Bottom cover” on page 78
- “1150 Built-in battery” on page 79
- “1160 Coin-cell battery” on page 80
- “1180 Hinge caps” on page 82
- “1190 LCD unit” on page 83
- “1200 Thermal fan assembly” on page 84
- “1210 GPU board” on page 85

The following components soldered on the top side of the system board are extremely sensitive. When you service the system board, avoid any kind of rough handling.

- a** Graphic Processing Unit (GPU)
- b** Central Processing Unit (CPU)
- c** Accelerometer chip for the hard disk drive Active Protection System ® (APS)
- d** Platform Controller Hub (PCH)



## Removal steps of the system board



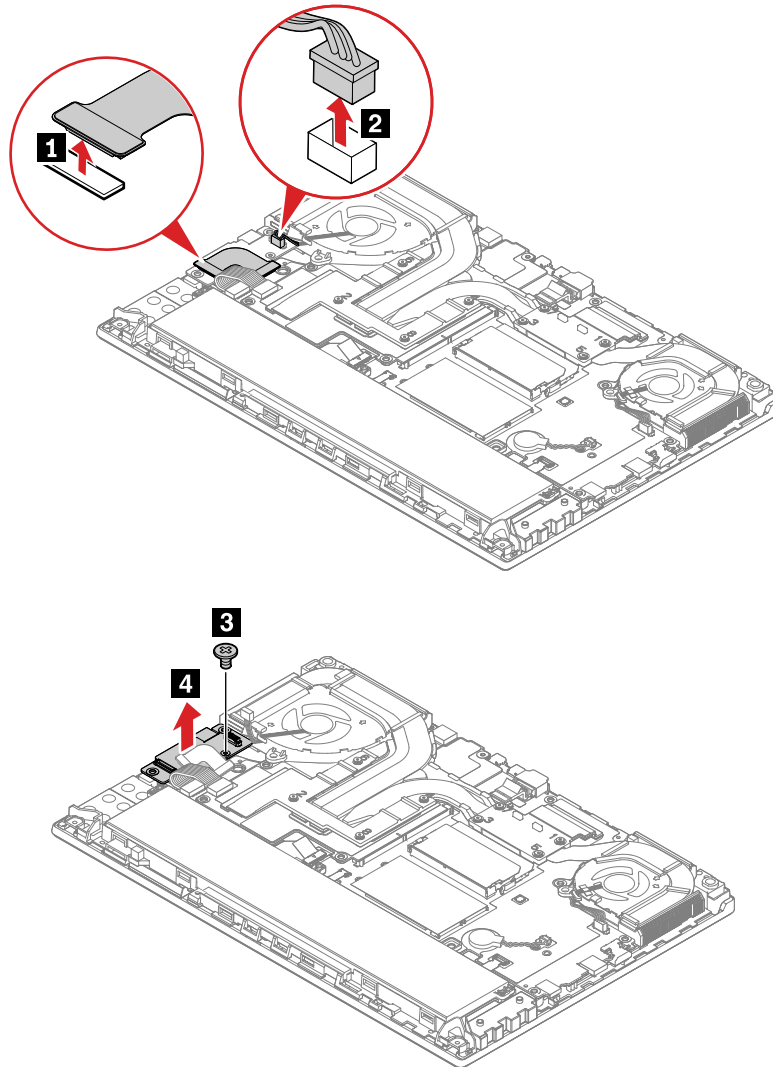
| Step | Screw (quantity)                       | Color | Torque                    |
|------|--|-------|---------------------------|
| 8    | M2 × 3 mm, flat-head, nylon-coated (3) | Black | 0.181 Nm<br>(1.85 kgf-cm) |

## 1230 I/O board and I/O board cable

For access, remove these FRUs in order:

- “1010 Bottom door” on page 67
- “1140 Bottom cover” on page 78

## Removal steps of the USB board



| Step     | Screw (quantity)                       | Color | Torque                    |
|----------|--|-------|---------------------------|
| <b>3</b> | M2 × 3 mm, flat-head, nylon-coated (1) | Black | 0.181 Nm<br>(1.85 kgf-cm) |

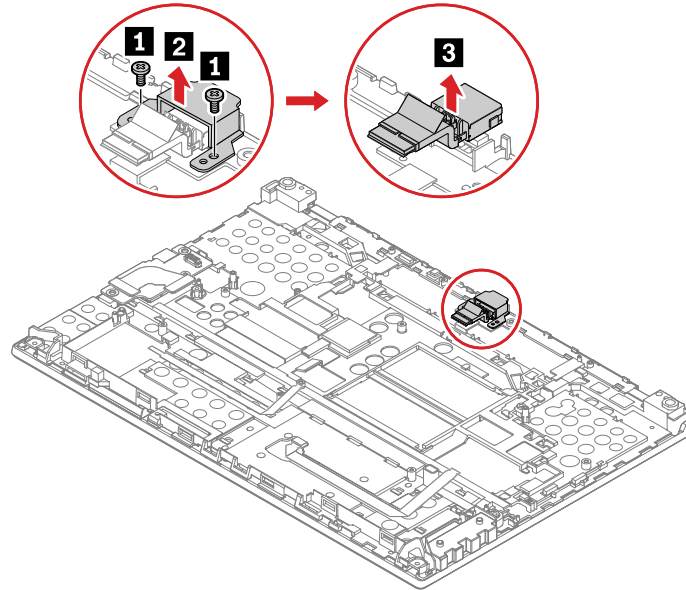
## 1240 dc-in bracket and dc-in cable assembly

The base cover assembly will stand out after you remove these FRUs in order:

- “1010 Bottom door” on page 67
- “1020 M.2 solid-stat drive” on page 67
- “1030 Memory module under the bottom door” on page 68
- “1040 Keyboard” on page 68
- “1050 Memory module bracket and memory module under the keyboard” on page 70
- “1060 Wireless LAN card” on page 71
- “1070 Wireless WAN card” on page 72
- “1140 Bottom cover” on page 78
- “1150 Built-in battery” on page 79
- “1160 Coin-cell battery” on page 80
- “1180 Hinge caps” on page 82

- “1190 LCD unit” on page 83
- “1200 Thermal fan assembly” on page 84
- “1210 GPU board” on page 85
- “1220 System board” on page 86

### Removal steps of the dc-in bracket and dc-in cable assembly



| Step     | Screw (quantity)                       | Color | Torque                    |
|----------|--|-------|---------------------------|
| <b>1</b> | M2 × 3 mm, flat-head, nylon-coated (1) | Black | 0.181 Nm<br>(1.85 kgf-cm) |

## 1250 Chassis assembly

For access, remove these FRUs in order:

- “1010 Bottom door” on page 67
- “1020 M.2 solid-stat drive” on page 67
- “1030 Memory module under the bottom door” on page 68
- “1040 Keyboard” on page 68
- “1050 Memory module bracket and memory module under the keyboard” on page 70
- “1070 Wireless WAN card” on page 72
- “1060 Wireless LAN card” on page 71
- “1070 Wireless WAN card” on page 72
- “1130 MIMO wireless-WAN antenna assembly with cable” on page 77
- “1140 Bottom cover” on page 78
- “1160 Coin-cell battery” on page 80
- “1150 Built-in battery” on page 79
- “1180 Hinge caps” on page 82
- “1190 LCD unit” on page 83
- “1200 Thermal fan assembly” on page 84
- “1210 GPU board” on page 85
- “1220 System board” on page 86
- “1230 I/O board and I/O board cable” on page 88
- “1240 dc-in bracket and dc-in cable assembly” on page 89

---

## Removing an LCD FRU for non-touch models

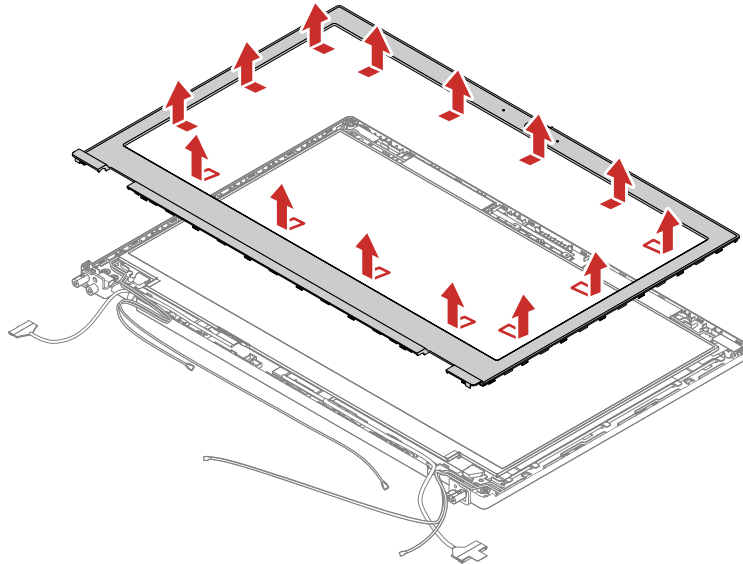
This section provides instructions on how to remove an LCD FRU for models without touch feature.

### 2010 LCD bezel assembly

For access, remove this FRU:

- “1190 LCD unit” on page 83

#### Removal steps of the LCD bezel assembly



#### When installing:

Ensure that all the latches are attached firmly.

### 2020 LCD panel, LCD cable and hinge assembly

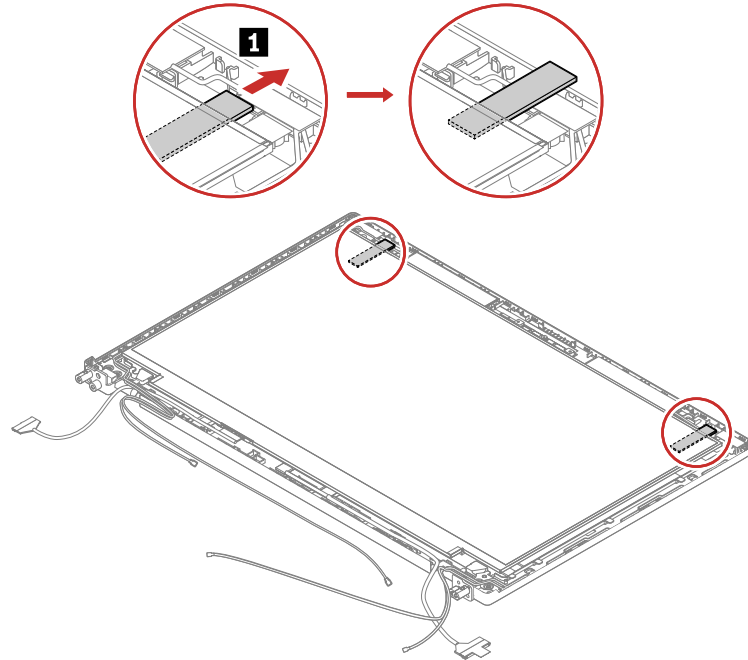
For access, remove these FRUs in order:

- “1190 LCD unit” on page 83
- “2010 LCD bezel assembly” on page 91

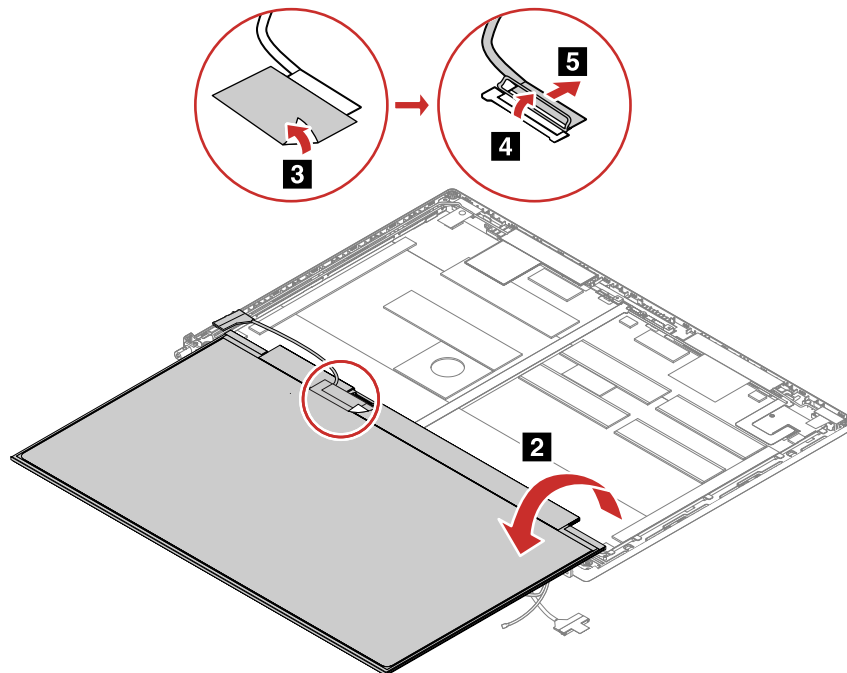
## Removal steps of removing the LCD panel and the LCD cable

1. Grasp the end of two elastic adhesive tapes with tweezers. Pull out each tape slowly in the direction as shown until two elastic tapes are all released from LCD unit **1**.

**Note:** Do not pull the tapes too fast, otherwise, the tapes might snap.



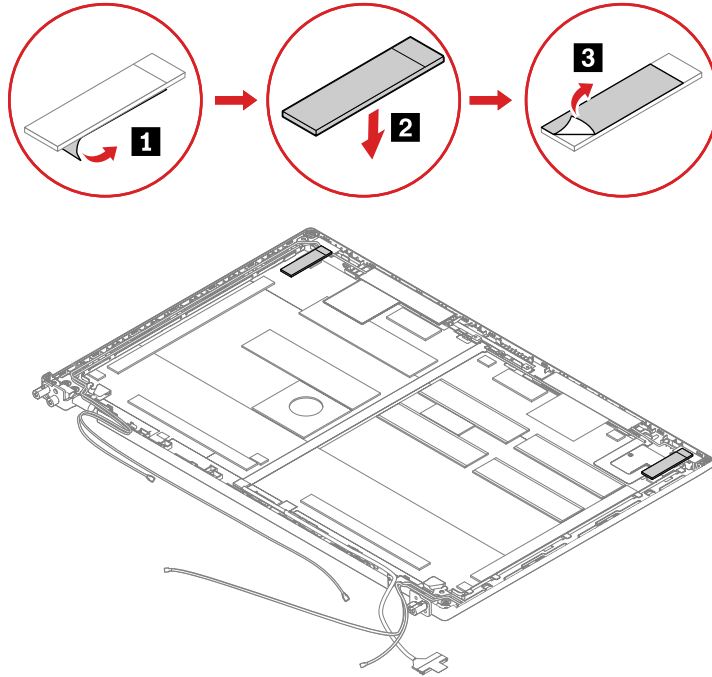
2. Turn over the LCD panel and then detach the LCD cable from the LCD panel as shown.



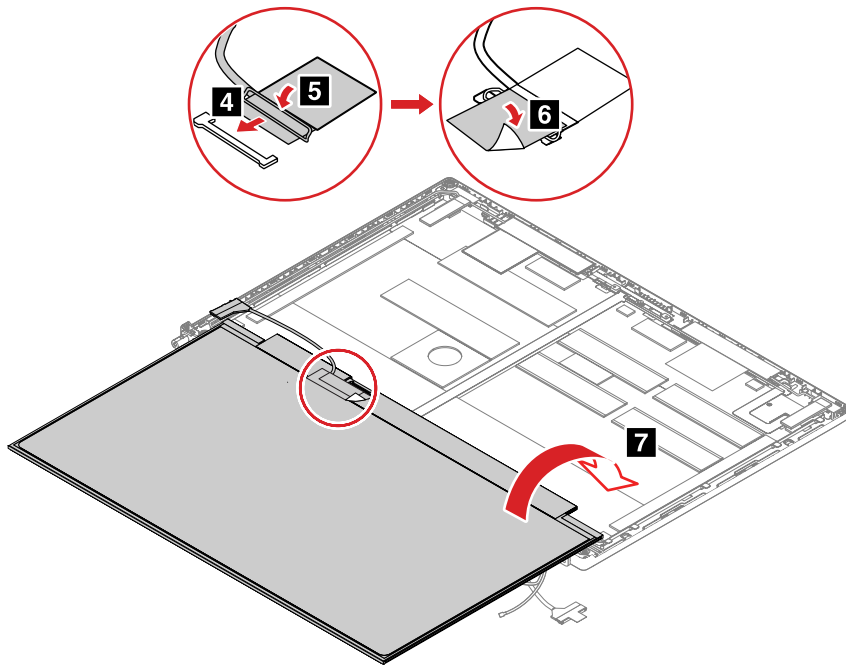


## Installation steps of the LCD panel and the LCD cable

1. Peel off the release liners from one side of the new elastic adhesive tapes. Apply the tapes to the correct locations. Peel off the release liners from the other side of the tapes. Ensure that two tapes are applied correctly as shown.



2. Attach the LCD cable to the LCD panel as shown. Turn over the LCD panel to secure the LCD panel with tapes.

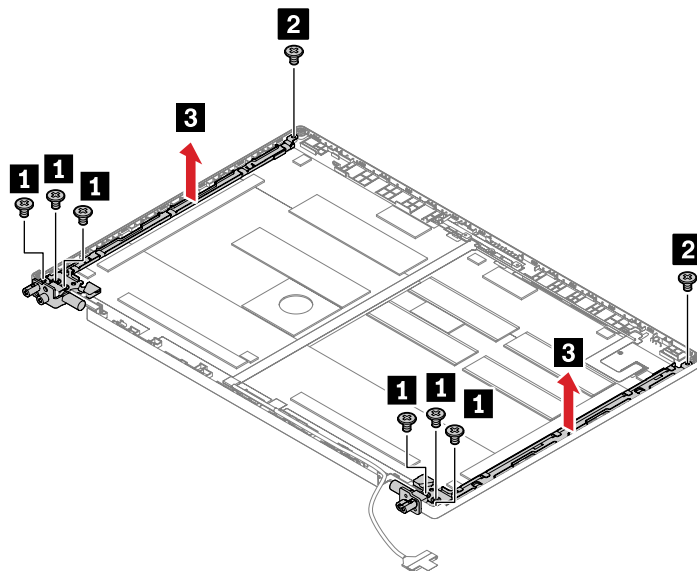


**Notes:** For LCD panel with the factory color calibration feature, do the following to install new color profiles:

1. Connect your computer to a network and close the X-Rite Color Assistant program.

2. Go to C:\Program files (x86)\X-Rite Color Assistant and locate the ProfileUpdaterForDisplayReplacement exe file.
3. Double-click the EXE file. Follow the on-screen instructions to input the display serial number and click **Submit**. You can find the display serial number and instructions on a sticker affixed to the front of the new LCD part. When the new color profiles are installed successfully, a prompted window will be displayed.

### Removal steps of removing the hinge assembly



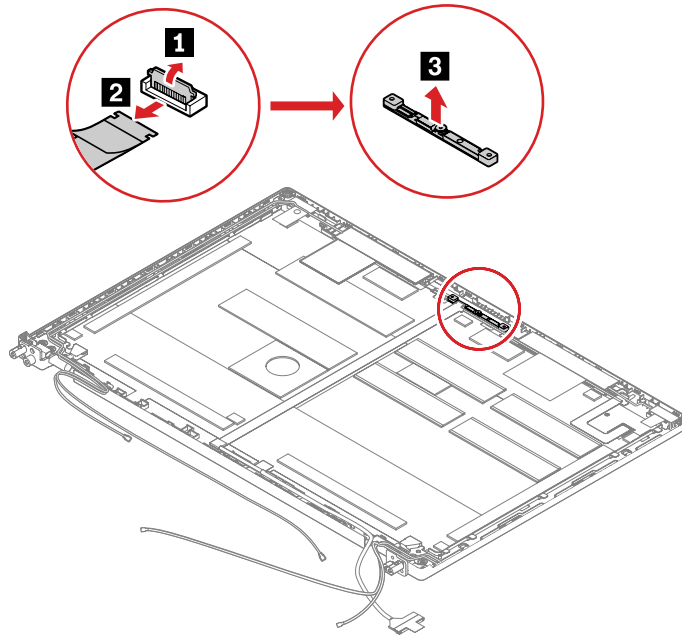
| Step     | Screw (quantity)                           | Color  | Torque                    |
|----------|--|--------|---------------------------|
| <b>1</b> | M2.5 × 3.5 mm, flat-head, nylon-coated (6) | Black  | 0.294 Nm<br>(3.0 kgf-cm)  |
| <b>2</b> | M2 × 2.5 mm, flat-head, nylon-coated (2)   | silver | 0.181 Nm<br>(1.85 kgf-cm) |

### 2030 Camera/microphone module

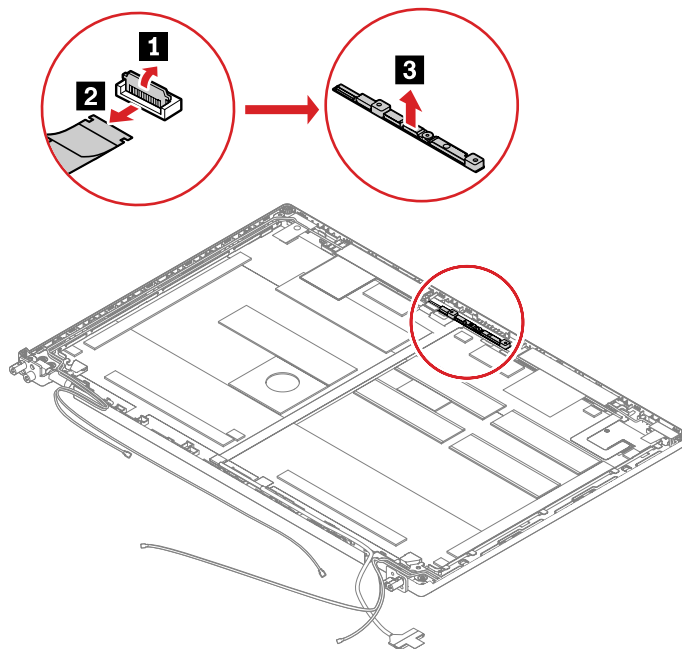
For access, remove these FRUs:

- “1190 LCD unit” on page 83
- “2010 LCD bezel assembly” on page 91
- “2020 LCD panel, LCD cable and hinge assembly” on page 91

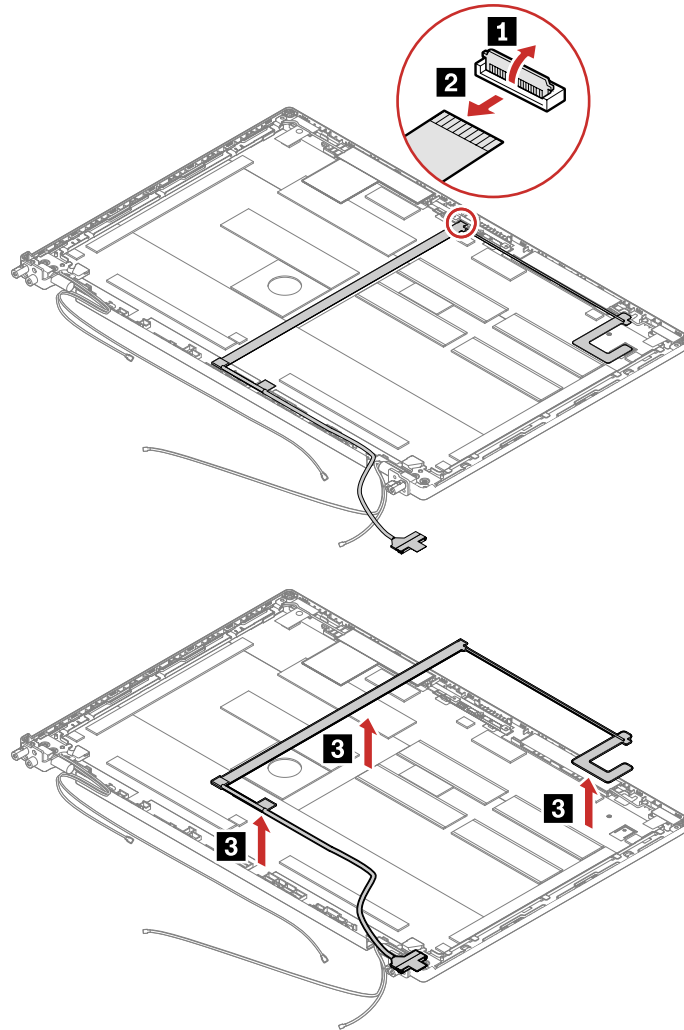
### Removal steps of the conventional camera/microphone module



### Removal steps of the infrared camera/microphone module



## Removal steps of the camera/LED cable assembly



### When installing:

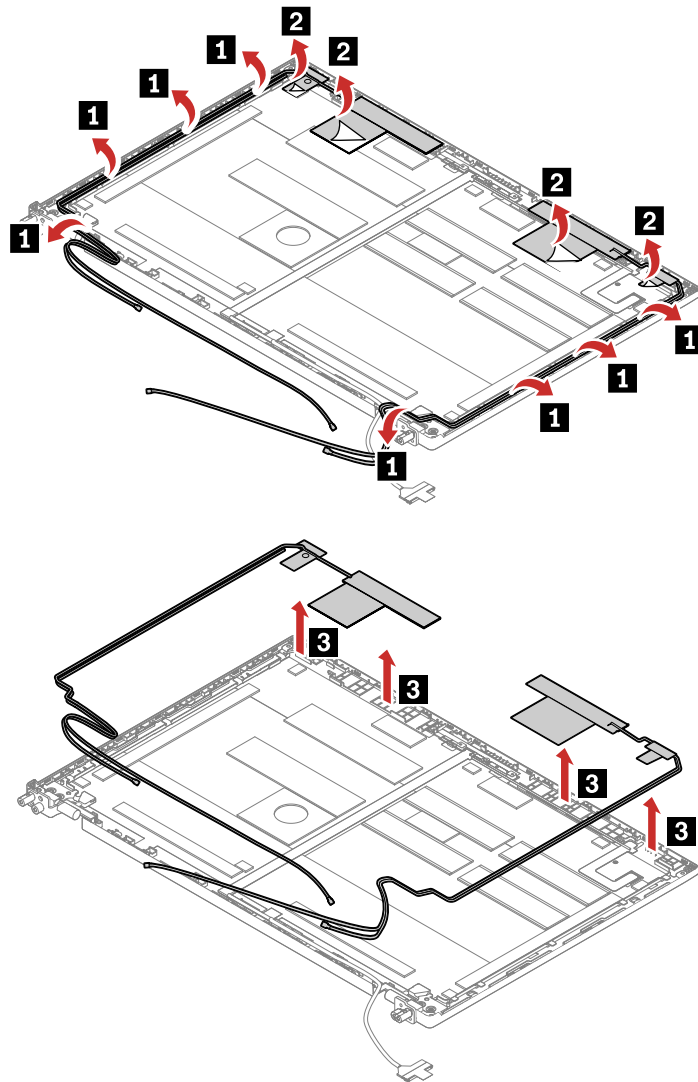
Ensure that the connectors are attached firmly.

## 2040 Antenna kit

For access, remove these FRUs in order:

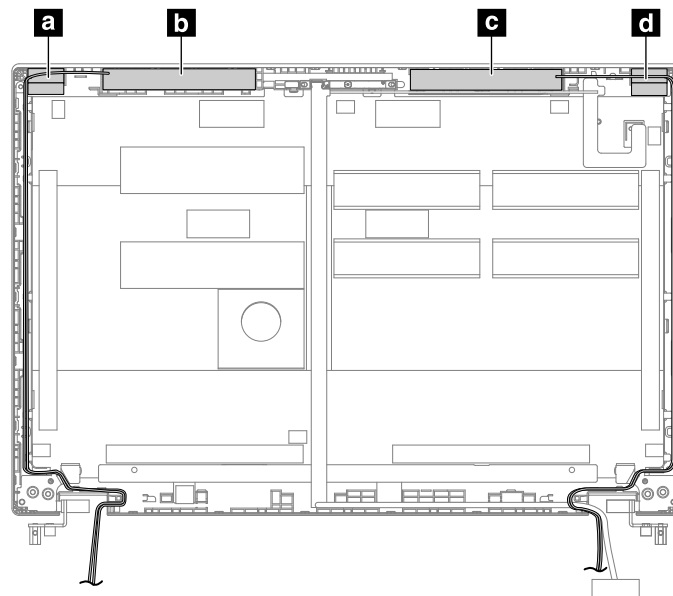
- “1190 LCD unit” on page 83
- “2010 LCD bezel assembly” on page 91
- “2020 LCD panel, LCD cable and hinge assembly” on page 91
- “2030 Camera/microphone module” on page 94

## Removal steps of the antenna kit and LCD rear cover assembly



### Cable routing:

When you install the antenna kit, route the cables as shown in the following illustration.



- a** Wireless LAN auxiliary antenna (black)
- b** Wireless WAN main antenna (blue)
- c** Wireless WAN auxiliary antenna (orange)
- d** Wireless LAN main antenna (grey)

**Attention:** As you route the cables, ensure that they are not subject to any tension. Tension could cause the cables to be damaged by the cable guides, or a wire to be broken.

## 2050 LCD rear cover assembly

For access, remove these FRUs in order:

- “1190 LCD unit” on page 83
- “2010 LCD bezel assembly” on page 91
- “2020 LCD panel, LCD cable and hinge assembly” on page 91
- “2030 Camera/microphone module” on page 94
- “2040 Antenna kit” on page 96

---

## Removing an LCD FRU for touch models

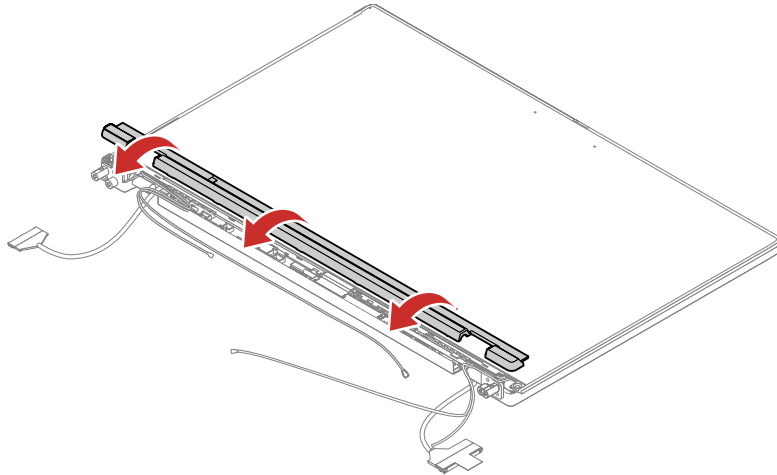
This section provides instructions on how to remove an LCD FRU for models with touch feature.

### 3010 LCD strip bezel

For access, remove this FRU:

- “1190 LCD unit” on page 83

## Removal steps of the LCD strip bezel



### When installing:

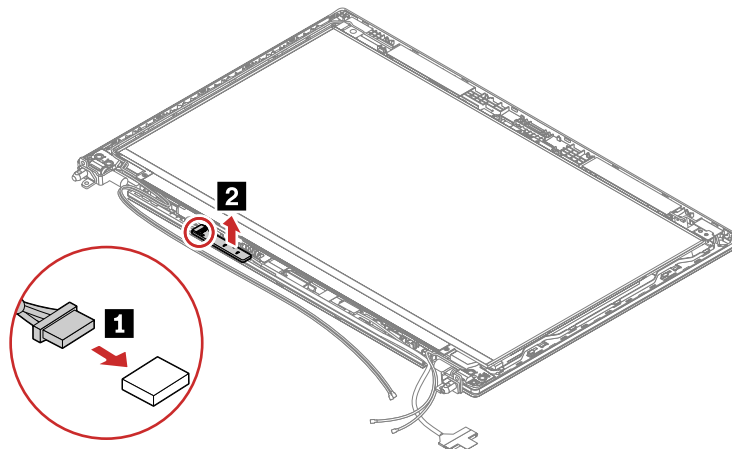
Ensure that all the latches are attached firmly.

## 3020 Touch panel control card

For access, remove these FRUs in order:

- “1150 Built-in battery” on page 79
- “3010 LCD strip bezel” on page 98

### Removal steps of the touch panel control card

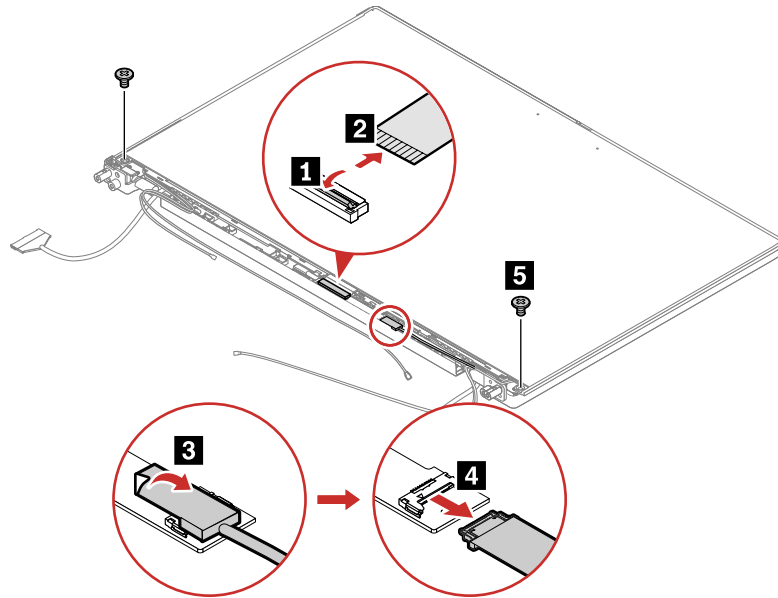


## 3030 LCD panel assembly, LCD cable, and hinge assembly

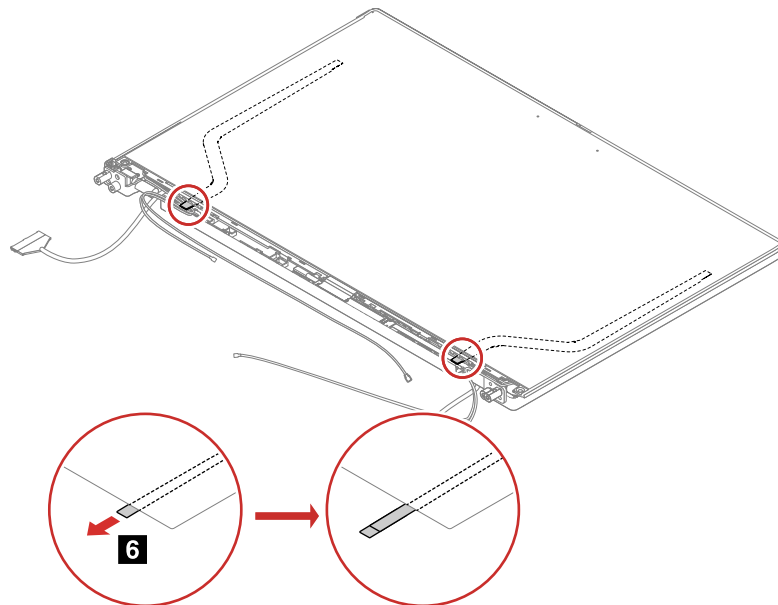
For access, remove these FRUs in order:

- “1190 LCD unit” on page 83
- “3010 LCD strip bezel” on page 98
- “3020 Touch panel control card” on page 99

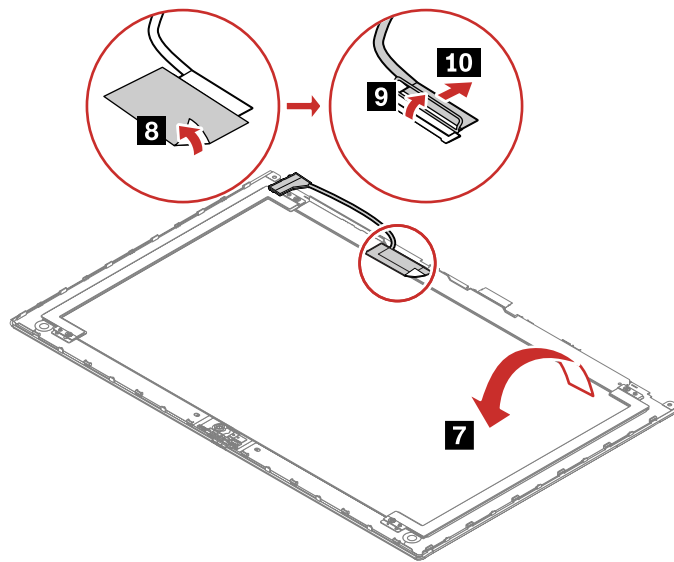
## Removal steps of the LCD panel assembly



| Step | Screw (quantity)                        | Color  | Torque                   |
|------|---|--------|--------------------------|
| 5    | M2 × 2.5mm, flat-head, nylon-coated (2) | Silver | 0.294 Nm<br>(3.0 kgf-cm) |



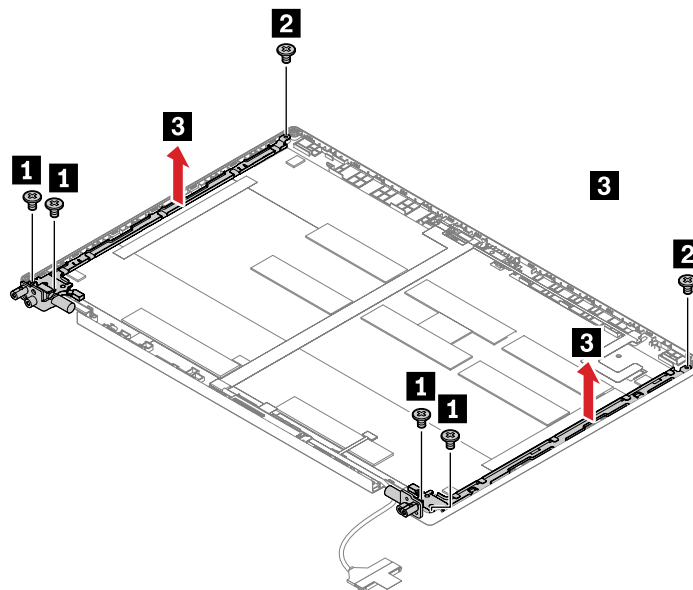




**When installing:**

Ensure that the LCD connector is attached firmly.

**Removal steps of the hinge assembly**



| Step     | Screw (quantity)                         | Color  | Torque                    |
|----------|--|--------|---------------------------|
| <b>1</b> | M2.5 × 4 mm, flat-head, nylon-coated (4) | black  | 0.294 Nm<br>(3.0 kgf-cm)  |
| <b>2</b> | M2 × 3 mm, flat-head, nylon-coated (2)   | Silver | 0.181 Nm<br>(1.85 kgf-cm) |

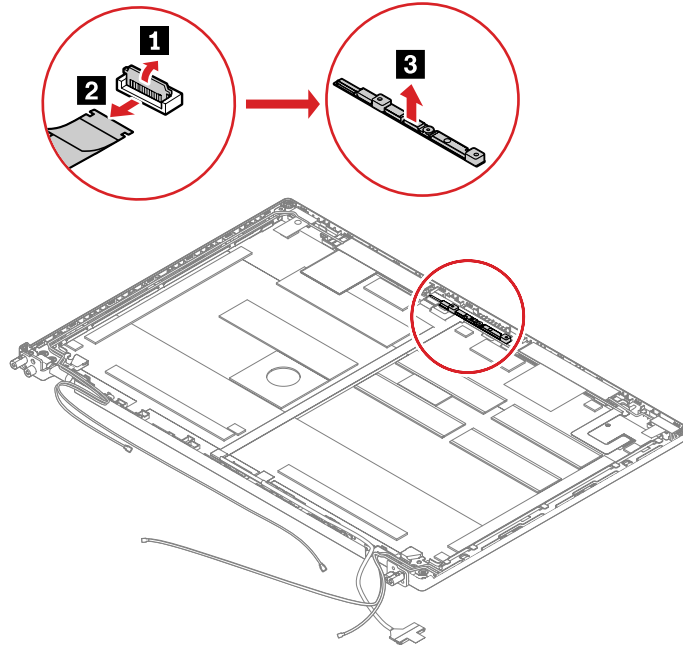
**3040 Camera/microphone module**

For access, remove these FRUs:

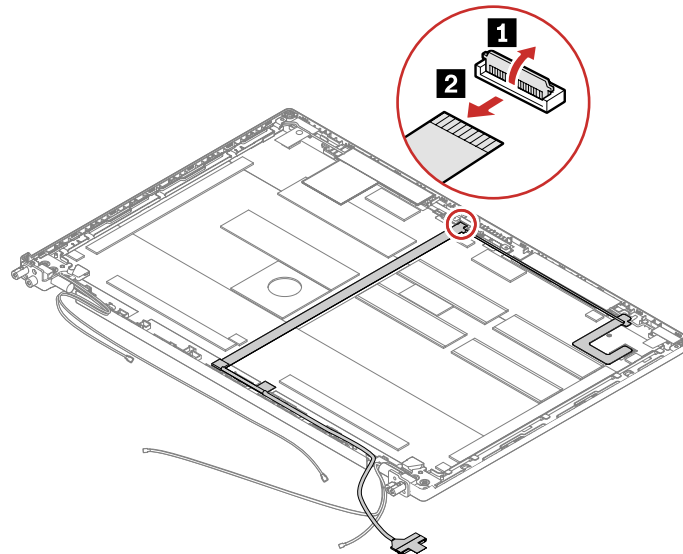
- “1190 LCD unit” on page 83
- “3010 LCD strip bezel” on page 98

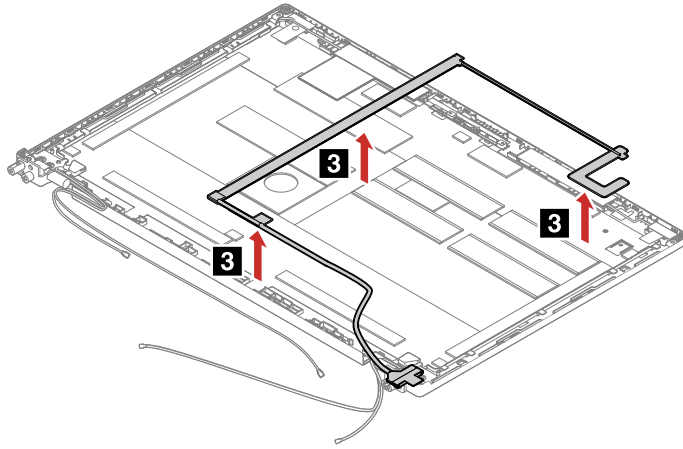
- “3030 LCD panel assembly, LCD cable, and hinge assembly” on page 99

### Removal steps of the infrared camera/microphone module



### Removal steps of the infrared camera/LED cable assembly

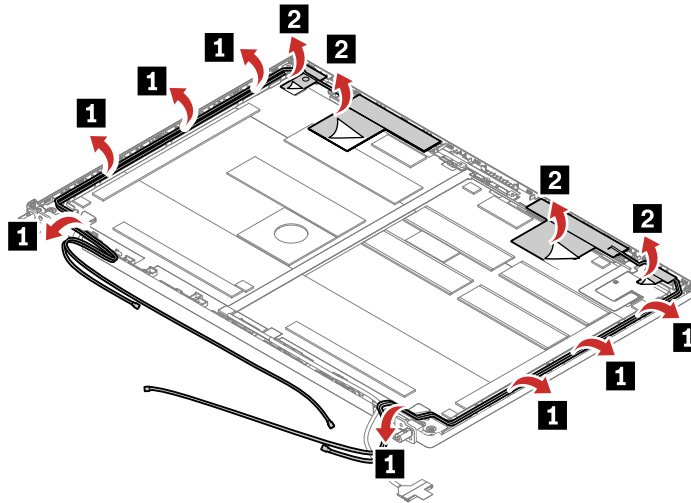


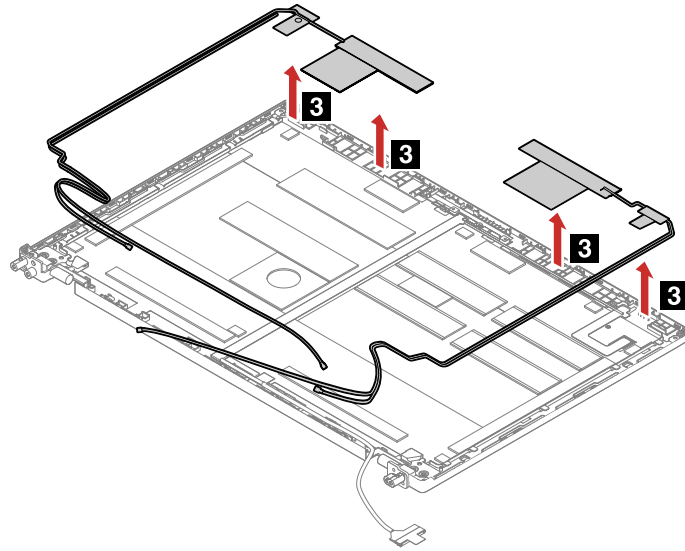


### 3050 Antenna kit

For access, remove these FRUs in order:

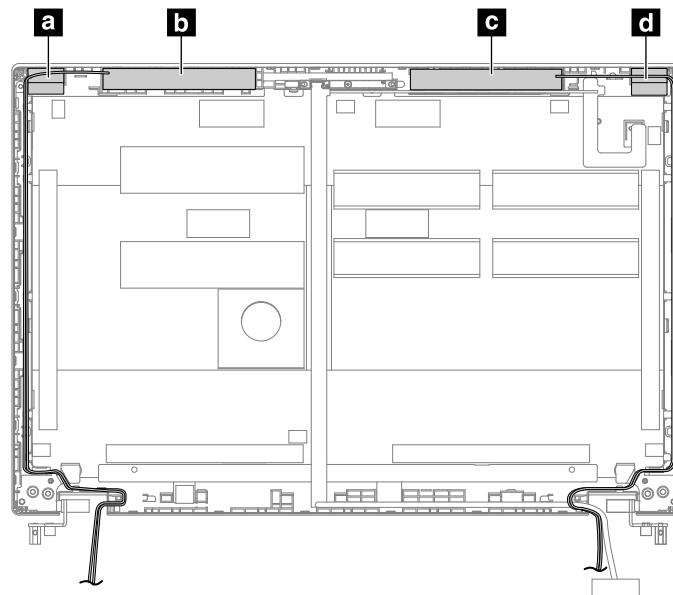
- “1190 LCD unit” on page 83
- “3010 LCD strip bezel” on page 98
- “3030 LCD panel assembly, LCD cable, and hinge assembly” on page 99
- “3040 Camera/microphone module” on page 101





**Attention:** As you route the cables, ensure that they are not subject to any tension. Tension could cause the cables to be damaged by the cable guides, or a wire to be broken.

#### Antenna locations



- a. Wireless LAN antenna (auxiliary)
- b. Wireless WAN antenna (main, for selected models)
- c. Wireless WAN antenna (auxiliary, for selected models)
- d. Wireless LAN antenna (main)

### 3060 LCD rear cover assembly

For access, remove these FRUs in order:

- “1190 LCD unit” on page 83
- “3010 LCD strip bezel” on page 98
- “3020 Touch panel control card” on page 99
- “3030 LCD panel assembly, LCD cable, and hinge assembly” on page 99
- “3040 Camera/microphone module” on page 101
- “3050 Antenna kit” on page 103

---

## Appendix A. Notices

Lenovo may not offer the products, services, or features discussed in this document in all countries. Consult your local Lenovo representative for information on the products and services currently available in your area. Any reference to a Lenovo product, program, or service is not intended to state or imply that only that Lenovo product, program, or service may be used. Any functionally equivalent product, program, or service that does not infringe any Lenovo intellectual property right may be used instead. However, it is the user's responsibility to evaluate and verify the operation of any other product, program, or service.

Lenovo may have patents or pending patent applications covering subject matter described in this document. The furnishing of this document does not give you any license to these patents. You can send license inquiries, in writing, to:

*Lenovo (United States), Inc.  
1009 Think Place - Building One  
Morrisville, NC 27560  
U.S.A.  
Attention: Lenovo Director of Licensing*

LENOVO PROVIDES THIS PUBLICATION "AS IS" WITHOUT WARRANTY OF ANY KIND, EITHER EXPRESS OR IMPLIED, INCLUDING, BUT NOT LIMITED TO, THE IMPLIED WARRANTIES OF NON-INFRINGEMENT, MERCHANTABILITY OR FITNESS FOR A PARTICULAR PURPOSE. Some jurisdictions do not allow disclaimer of express or implied warranties in certain transactions, therefore, this statement may not apply to you.

This information could include technical inaccuracies or typographical errors. Changes are periodically made to the information herein; these changes will be incorporated in new editions of the publication. Lenovo may make improvements and/or changes in the product(s) and/or the program(s) described in this publication at any time without notice.

The products described in this document are not intended for use in implantation or other life support applications where malfunction may result in injury or death to persons. The information contained in this document does not affect or change Lenovo product specifications or warranties. Nothing in this document shall operate as an express or implied license or indemnity under the intellectual property rights of Lenovo or third parties. All information contained in this document was obtained in specific environments and is presented as an illustration. The result obtained in other operating environments may vary.

Lenovo may use or distribute any of the information you supply in any way it believes appropriate without incurring any obligation to you.

Any references in this publication to non-Lenovo Web sites are provided for convenience only and do not in any manner serve as an endorsement of those Web sites. The materials at those Web sites are not part of the materials for this Lenovo product, and use of those Web sites is at your own risk.

Any performance data contained herein was determined in a controlled environment. Therefore, the result obtained in other operating environments may vary significantly. Some measurements may have been made on development-level systems and there is no guarantee that these measurements will be the same on generally available systems. Furthermore, some measurements may have been estimated through extrapolation. Actual results may vary. Users of this document should verify the applicable data for their specific environment.

---

## Trademarks

The following terms are trademarks of Lenovo in the United States, other countries or both:

- Lenovo
- Lenovo logo
- ThinkPad
- ThinkPad logo
- TrackPoint

Microsoft, Windows, Windows Server, and Cortana are trademarks of the Microsoft group of companies.

The terms HDMI and HDMI High-Definition Multimedia Interface are trademarks or registered trademarks of HDMI Licensing LLC in the United States and other countries.

USB-C is a trademark of USB Implementers Forum.

Other company, product, or service names may be the trademarks or service marks of others.





Part Number: SP40Y99612\_01

Printed in China

(1P) P/N: SP40Y99612\_01

