



Product Service

# CERTIFICATE

No. Z1A 15 07 61536 009

**Holder of Certificate:** HSIANG FU CHIA ENTERPRISE CO., LTD.

NO. 41, Lane 737  
 Jiadian Rd., Homei Town  
 50860 Changhua County  
 TAIWAN



**Certification Mark:**



**Product:**

**Steps  
 ( Dome type )**

**Tested according to:**

PPP 52014A:2011  
 EN 14183:2003  
 AfPS GS 2014:01 PAK

The product meets the safety and health requirements of the German Product Safety Act section 20 to 22 ProdSG. The certification marks shown above can be affixed on the product. It is not permitted to alter the certification marks in any way. In addition the certificate holder must not transfer the certificate to third parties. This certificate is valid until the listed date, unless it is cancelled earlier. See also notes overleaf.

**Test report no.:** 613251500201

**Valid until:** 2020-07-15

**Date,** 2015-07-17

( Johnson Chu )





Product Service

**CERTIFICATE****No. Z1A 15 07 61536 009****Model(s): T5, T6, T7, T8**

**Parameters:**

Type F  
Plastic material: PP, for indoor use  
Max. load: 150 kg  
Castor: Ø 30 x 15 mm

T5:  
Overall dimensions: Ø 280 x Ø 407 x 370 mm  
Weight: 2.1 kg

T6:  
Overall dimensions: Ø 284 x Ø 380 x 260 mm  
Weight: 1.6 kg

T7:  
Overall dimensions: Ø 290 x Ø 430 x 420 mm  
Weight: 2.9 kg

T8:  
Overall dimensions: Ø 290 x Ø 430 x 420 mm  
Weight: 2.9 kg

**Factory(ies): 61536**

Page 2 of 2

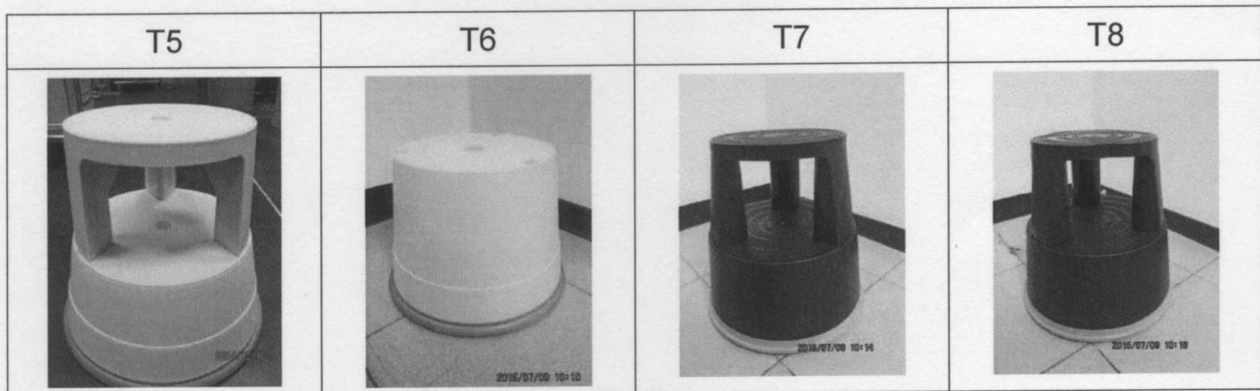
## 1 Description of the test subject

### 1.1 Function

Step stools, dome type, equipped with retractable castors.

Plastic body material is fractioned for step surface against slipping. The castors are retracted instantly that providing a firm base when the user steps on which a rubber ring under for contact to the ground.

For transport purposes which is packed in two sections, the top section and the bottom section. That the two parts are fixed together permanently by using "snap locks" and cannot be separated while it is in use



### 1.2 Consideration of the foreseeable misuse

- Not applicable
- Covered through the applied standard
- Covered by the following comment
- Covered by attached risk analysis

### 1.3 Technical data

Type F

Plastic material: PP

For indoor use

Max. load: 150 kg

Castor: Ø 30 x 15 mm

T5:

Overall dimensions: Ø 280 x Ø 407 x 370 mm

Weight: 2.1 kg

T6:

Overall dimensions: Ø 284 x Ø 380 x 260 mm

Weight: 1.6 kg



T7:

Overall dimensions: Ø 290 x Ø 430 x 420 mm

Weight: 2.9 kg

T8:

Overall dimensions: Ø 290 x Ø 430 x 420 mm

Weight: 2.9 kg

## 2 Order

### 2.1 Date of Purchase Order, Customer's Reference

2015-06-11

### 2.2 Receipt of Test Sample, Location

2015-07-07

### 2.3 Date of Testing

2015-07-09~2015-07-13

### 2.4 Location of Testing

TÜV SÜD Asia Ltd., Taiwan Branch, Mechanical Safety Department  
1F., No. 1727, Jiancheng Rd., South District, Taichung City,  
40248 Taiwan, R.O.C.

### 2.5 Points of Non-compliance or Exceptions of the Test Procedure

None

## 3. Test Results

### 3.1 Positive Test Results

- Mechanical safety (Report No.: 61.325.15.002.01 Dated: 2015-07-16)

The test specifications are met.

### 3.2 Points of non-compliance according to the test specification

None



**4 Remarks**

- 4.1 Foreign manufacturers must print the address of an authorized representative or importer within the European Union on their product or on the product packaging. The main certificate holder must apply co-certificate for the importer if the name of the main certificate holder does not appear on the product.
- 4.2 The user manual has been examined according to the minimum requirements described in the product standard. The manufacturer is responsible for the accuracy of further particulars as well as of the composition and layout.
- 4.3 **Remarks to Factory**  
The assembly of the product has to comply with the documentation (CDF). Before the implementation of safety relevant modifications to the product into the ongoing production the product must be assessed for acceptance. The results must be implemented to the documentation and if necessary the certificate must be updated.
- 4.4 **Test sample - storage**  
The presented test samples will be disposed by the test laboratory if no further request from the client within one month.

**5. Documentation**

- 5.1 CDF
- 5.2 German user manual
- 5.3 Type label
- 5.4 PAHs report

**6. Summary**

The test specifications are met.

TÜV SÜD ASIA LTD., Taiwan Branch  
Taichung Office, Mechanical Safety  
TÜV SÜD Group

Engineer:

Edison Wang  
Project Handler

Technical Report checked:

Johnson Chu  
Designated Reviewer



---

Client: HSIANG FU CHIA ENTERPRISE CO., LTD. (CBW# 61536)  
No. 41, Lane 737, Jiadian Rd., Homei Town,  
50860 Changhua County, TAIWAN.

Manufacturing place: HSIANG FU CHIA ENTERPRISE CO., LTD. (CBW# 61536)  
No. 41, Lane 737, Jiadian Rd., Homei Town,  
50860 Changhua County, TAIWAN.

Test object: Product: Step Stools  
  
Model: T5, T6, T7, T8

Test specifications: PPP 52014A:2011  
AfPS GS 2014:01 PAK

Purpose of examination: Inspection according to the Geräte- und Produktsicherheitsgesetz –  
ProdSG, version November 08, 2011

Test result: Test according to the test specification.  
  
The test results show that the presented product is in compliance  
with the specified requirements.  
  
Requirements of AfPS GS 2014:01 PAK have been evaluated and  
found to be met by evaluation and/or relevant test.

Remark:

This technical report may only be quoted in full. Any use for advertising purposes must be granted in writing. This report is the result of a single examination of the object in question and is not generally applicable evaluation of the quality of other products in regular production.

# Aufbauübersicht für Mechanische Produktes

## Data form for mechanical products



Seite von  
Page 1 of 5

Auftraggeber/Applicant:

Hsiang Fu Chia Enterprise Co., Ltd. (CBW# 61536)  
No. 41, Lane 737, Jiadian Rd., Homei Town,  
Changhua Hsien, Taiwan.

Fertigungsstätte/Production facility:

Hsiang Fu Chia Enterprise Co., Ltd. (CBW# 61536)  
No. 41, Lane 737, Jiadian Rd., Homei Town,  
Changhua Hsien, Taiwan.

Geräteart/Type of equipment:

Step Stool

Typenbezeichnung/Type/model:

T5, T6, T7, T8

Seriennr./Serial no.:

### Technical Data & Parameter

T5:

Overall dimensions: Ø 280 x Ø407x 370 mm

Weight: 2.1 kg

Max. load : 150 kg

Plastic material: PP, dome type step stool for indoor use, castors, rubber ring

Component / Bauteil	Material / Material	Manufacturer / Hersteller	Specification / Spezifikationen	Model, Type / Modell, Typ	Test Mark / Prüfzeichen
Top set	PP	Hsiang Fu Chia	3.0 mm x Ø 280 x 185 mm		
Base set	PP	Hsiang Fu Chia	3.0 mm x Ø 315 x Ø 407 x 185 mm		
Base rubber ring	Rubber	Hsiang Fu Chia	Ø382.8 / Ø389 x Ø405 x 3 t x 16 mm		
Castor set	ABS	Hsiang Fu Chia	Ø 30 x 15 mm		

TEC\_GCN\_F\_09.31E - Rev 0

2010-11-26

Prüfbericht Nr. / Test Report No.: 61.325.15.002.01

Projektleiter / Project manager: Edison Wang

E. Wang  
2015-07-16

Ort/place:

Changhua - TW

Stempel und Unterschrift  
Seal and signature

Hsiang Fu Chia  
公司  
有  
家

Datum/date:

15-July-2015

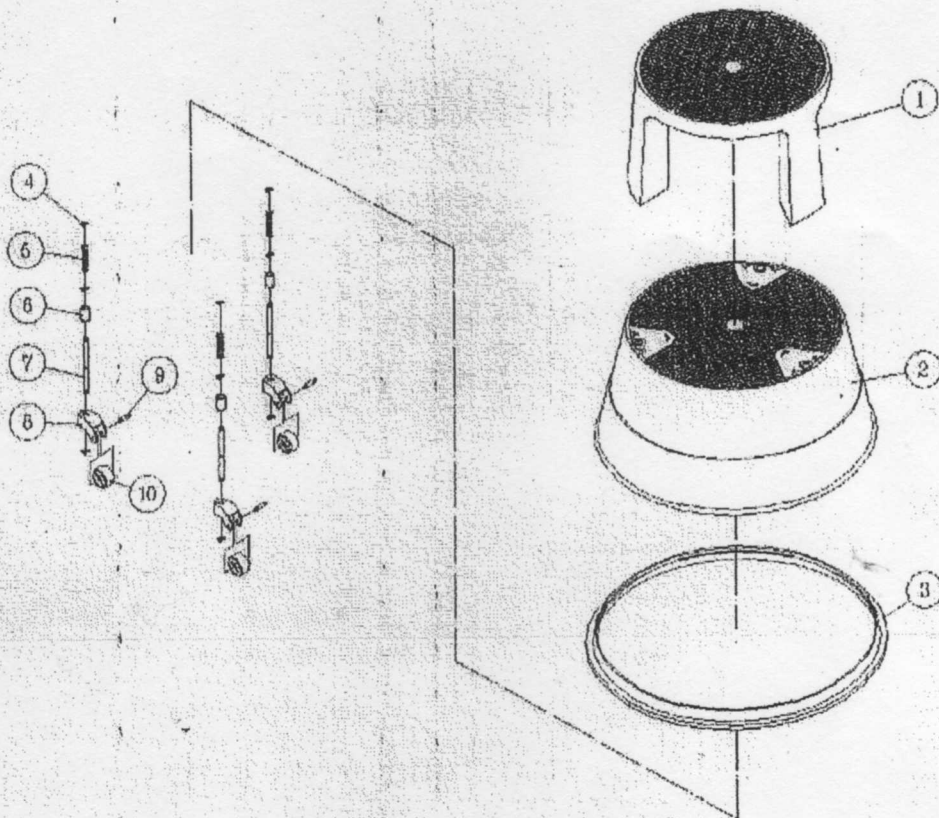
Hsiang Fu Chia Enterprise Co., Ltd.





**Drawing & Picture**

T5



TEC\_GCN\_F\_09.31E - Rev 0

2010-11-26

Prüfbericht Nr. / Test Report No.: 61.325.15.002.01

Projektleiter / Project manager: Edison Wang

*E. Wang*  
2015-07-16

Ort/place:

*Changhua, TW*

Stempel und Unterschrift/  
Seal and signature

Datum/date:

*15-July-2015*

Hsiang Fu  Enterprise Co., Ltd.



# Aufbauübersicht für Mechanische Produktes

## Data form for mechanical products



Seite von  
Page 3 of 5

### Technical Data & Parameter

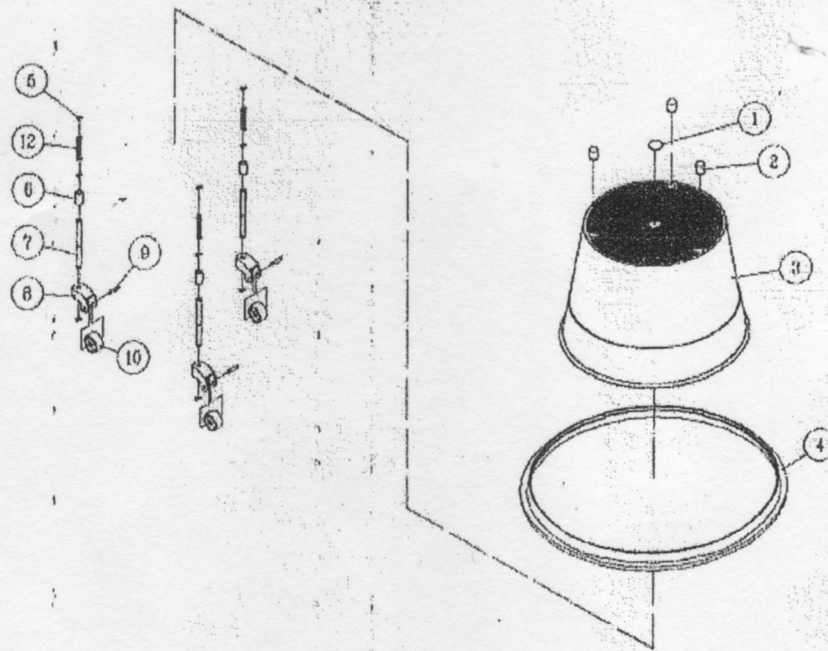
T6:  
Overall dimensions:  $\varnothing 284 \times \varnothing 380 \times 260$  mm  
Weight: 1.6 kg  
Max. load : 150 kg

Plastic material: PP, dome type step stool for indoor use, castors, rubber ring

Component / Bautell	Material / Material	Manufacturer / Hersteller	Specification / Spezifikationen	Model, Type / Modell, Typ	Test Mark / Prüfzeichen
Base set	PP	FORMOSA CHEMICALS	3.8 t x $\varnothing 284 \times \varnothing 379 \times 258$ mm		
Base rubber ring	Rubber	San Lin	$\varnothing 350 / \varnothing 365 \times \varnothing 385 \times 2 t \times 20$ mm		
Castor set	ABS	Wei Yi	$\varnothing 30 \times 15$ mm		

### Label & Marking

T6



TEC\_GCN\_F\_09 31E - Rev 0

2010-11-26

Prüfbericht Nr. / Test Report No.: 61.325.15.002.01

Projektleiter / Project manager: Edison Wang

*E. Wang*  
2015-07-16

Ort/place:

Changhua, TW  
Stempel und Unterschrift /  
Seal and signature

Datum/date:

15-July-2015

Hsiang Fu Qihua Enterprise Co., Ltd.  
公司有限



# Aufbauübersicht für Mechanische Produktes

## Data form for mechanical products



Seite von  
Page 4 of 5

### Technical Data & Parameter

T7:

Overall dimensions:  $\varnothing 290 \times \varnothing 430 \times 420$  mm

Weight: 2.9 kg

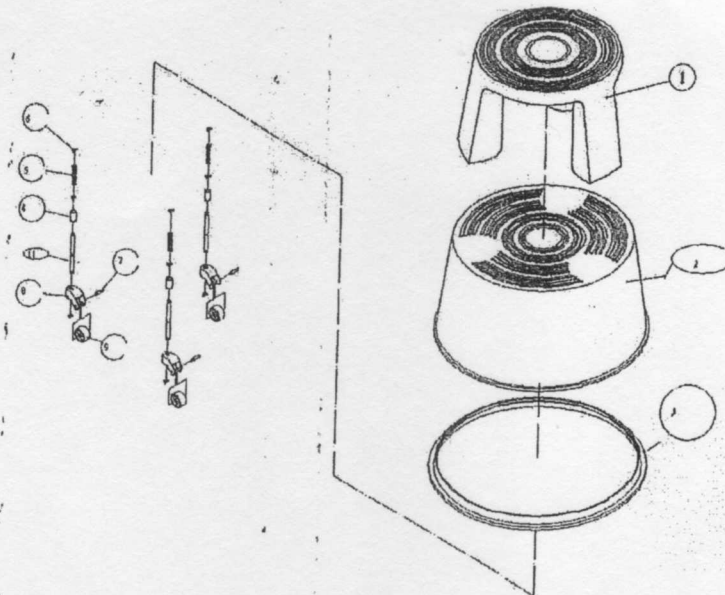
Max. load : 150 kg

Plastic material: PP, dome type step stool for indoor use, castors, rubber ring

Component / Bauteil	Material / Material	Manufacturer / Hersteller	Specification / Spezifikationen	Model, Type / Modell, Typ	Test Mark / Prüfzeichen
Top set	PP	FORMOSA CHEMICALS	Plate 5.0 t x 28 mm x $\varnothing 290 \times 208$ mm		
Base set	PP	FORMOSA CHEMICALS	Plate 3.2 x $\varnothing 362 \times \varnothing 430 \times 208$ mm		
Base rubber ring	Rubber	San Lin	$\varnothing 405 / \varnothing 415 \times \varnothing 434 \times 2 \times 23.5$ mm		
Castor set	ABS	Wei Yi	$\varnothing 30 \times 15$ mm		

### Label & Marking

T7



TEC\_GCN\_F\_09 31E - Rev.0 2010-11-26

Prüfbericht Nr. / Test Report No.: 61.325.15.002.01

Projektleiter / Project manager: Edison Wang

*E. Wang*  
2015-07-16

Ort/place:

Changhua - Tw

Stempel und Unterschrift  
Seal and signature

Hsiang



Datum/date:

15-July-2015

Enterprise Co., Ltd.



# Aufbauübersicht für Mechanische Produktes

## Data form for mechanical products



Seite von  
Page 5 of 5

### Technical Data & Parameter:

T8:

Overall dimensions: Ø 290 x Ø430x 420 mm

Weight: 2.9 kg

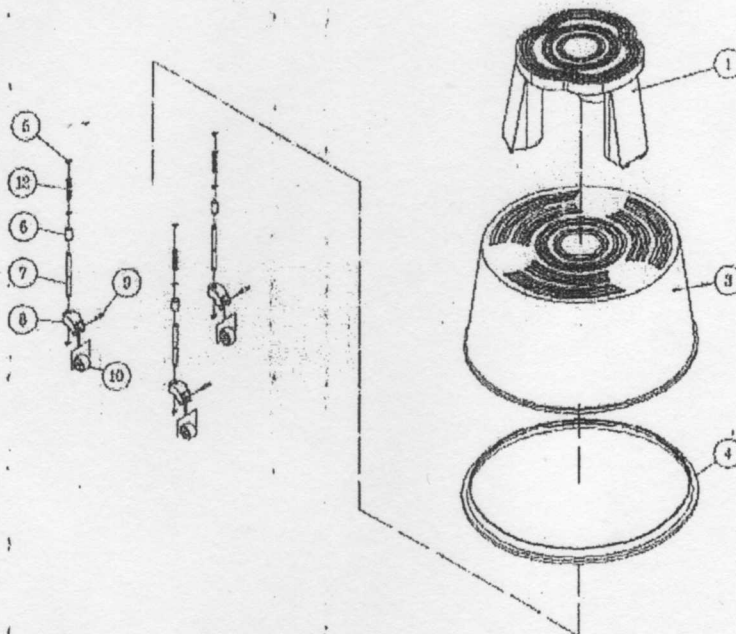
Max. load : 150 kg

Plastic material: PP, dome type step stool for indoor use, castors, rubber ring

Component / Bautell	Material / Material	Manufacturer / Hersteller	Specification / Spezifikationen	Model, Type / Modell, Typ	Test Mark / Prüfzeichen
Top set	PP	FORMOSA CHEMICALS	Plate 5.0 t x 28 mm x Ø 290 x 208 mm		
Base set	PP	FORMOSA CHEMICALS	Plate 2.8 x Ø 362 x Ø 430 x 208 mm		
Base rubber ring	Rubber	San Lin	Ø 405 / Ø 415 x Ø 434 x 2 t x 23.5 mm		
Castor set	ABS	Wei Yi	Ø 30 x 15 mm		

### Label & Marking

T8



TEC\_GCN\_F\_09.31E - Rev 0

2010-11-26

Prüfbericht Nr. / Test Report No.: 61.325.15.002.01

Projektleiter / Project manager: Edison Wang

*E. Wang*

2015-07-16

Ort/place:

Changhua, TW

Stempel und Unterschrift /  
Seal and signature

Wang Fu Chia Enterprise Co., Ltd.

Datum / date:

15-July-2015

