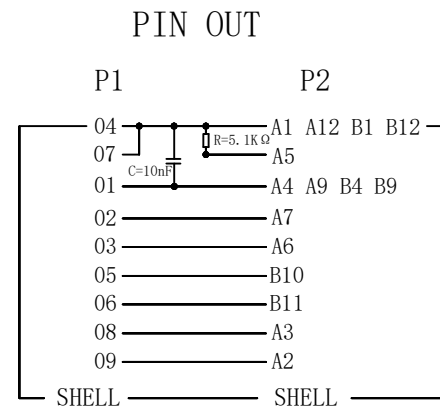


- NOTES:
1. OPEN/SHORT/MIS WIRE TEST:100%.
 2. INSULATION RESISTANCE:DC 300V 0.01S 10MΩ MIN
 3. CONDUCTIVE RESISTANCE:5Ω MAX
 4. SUPPORTS:POWER DELIVERY, DATA TRANSFER, OTG FUNCTION
 5. ROHS & REACH COMPLIANT



⑤	MOLDED	45P BLACK PVC			G	Ltemref	Quantity	Title/Name, designation, material, dimension etc			Article NO./Reference	
④	MOLDED	LDPE			G	Designed by	Checkde by	Approved by - date	File name	Date	Scale	
③	PCBA	PCB, T=0.8MM R=56KΩ C=10nF	1	PCS		FLY	HELEN	2025. 11. 26		2025. 11. 26	FREE	
②	CONNECTOR	USB TYPE C FEMALE, GOLD PLATED PIN, BLACK INSULATION, NICKEL PLATED SHELL	1	PCS		ANGLE:				TYPE CM TO USB3.0 AF Adapter		
①	CONNECTOR	USB3.0 A FEMALE, GOLD PLATED PIN, BLUE INSULATION, NICKEL PLATED SHELL	1	PCS								
NO.	MATERIAL	DESCRIPTION	QTY.	UNIT		UNIT:MM	26-0430			Edition 1	Sheet 1/1	