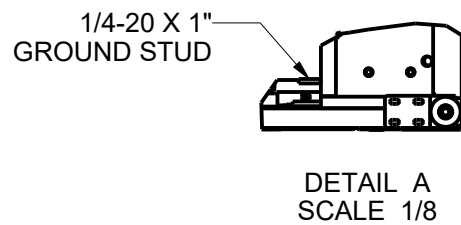
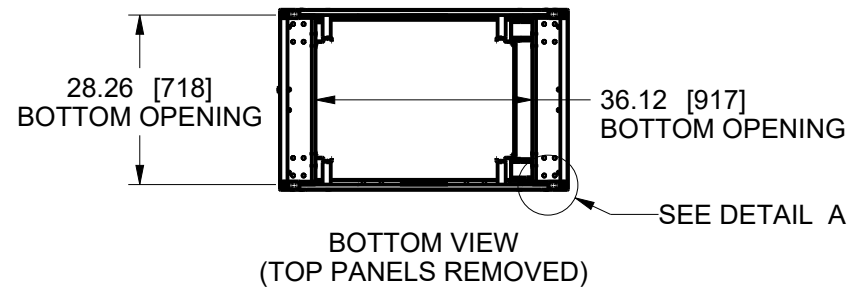
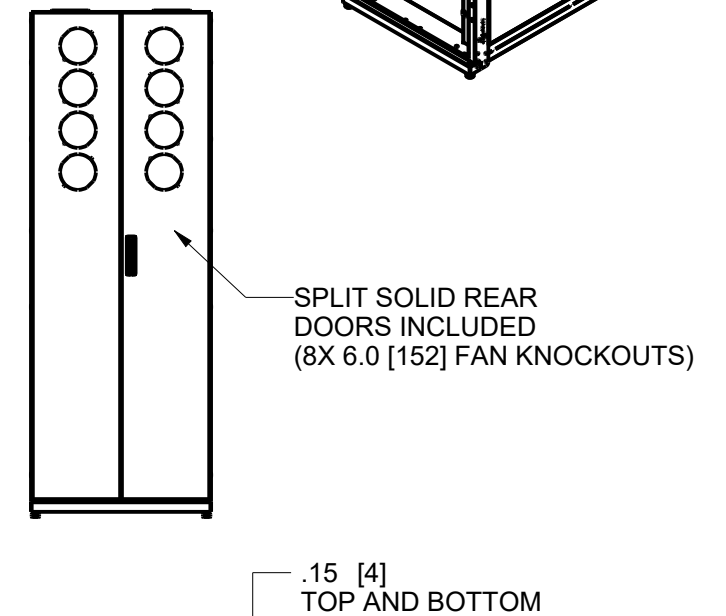
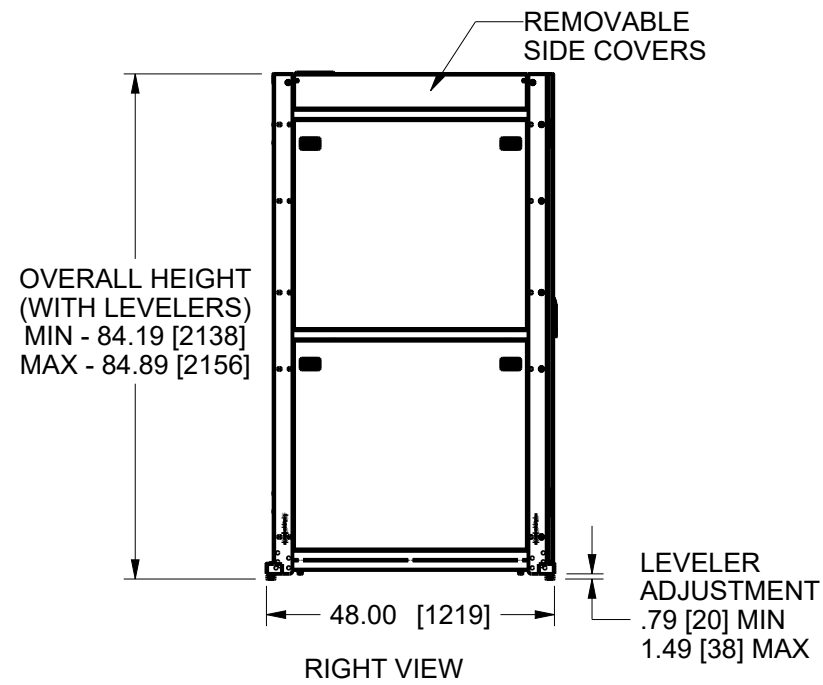
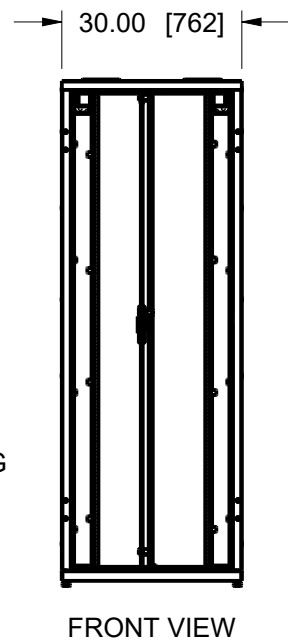
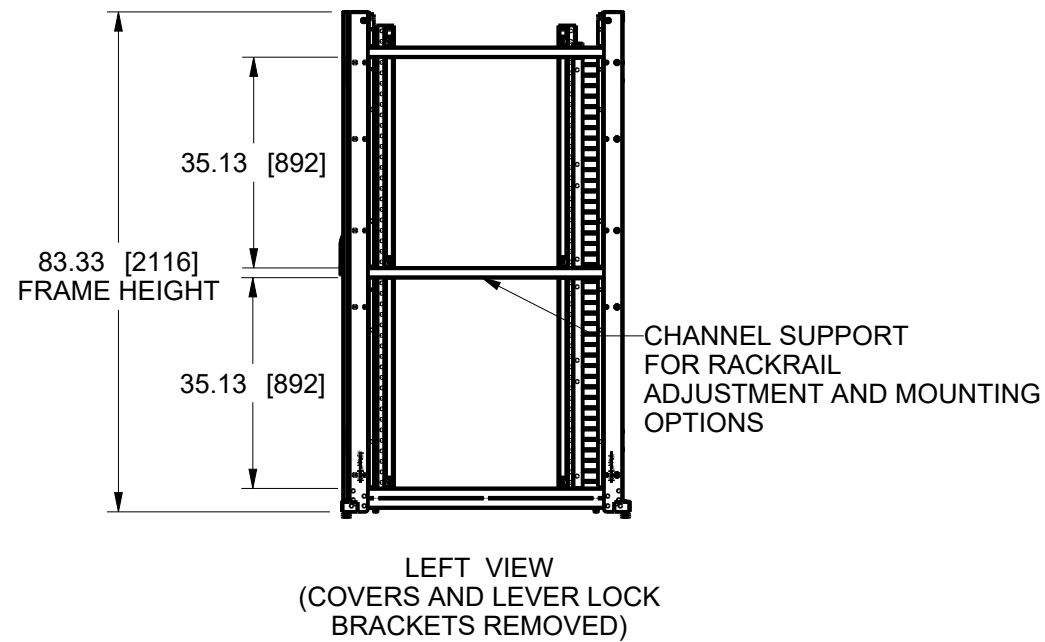
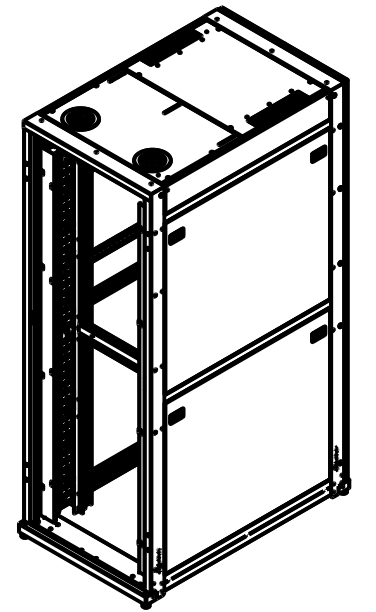
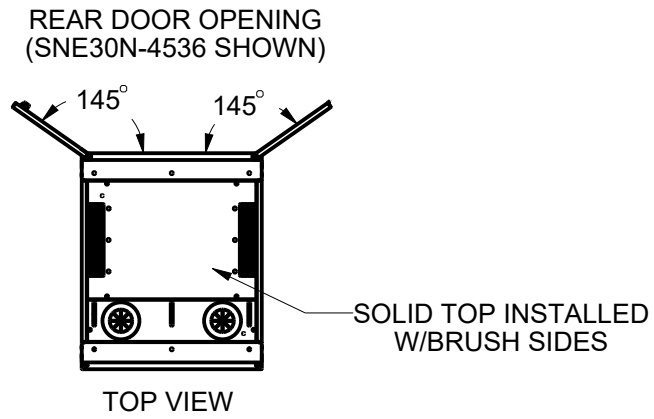
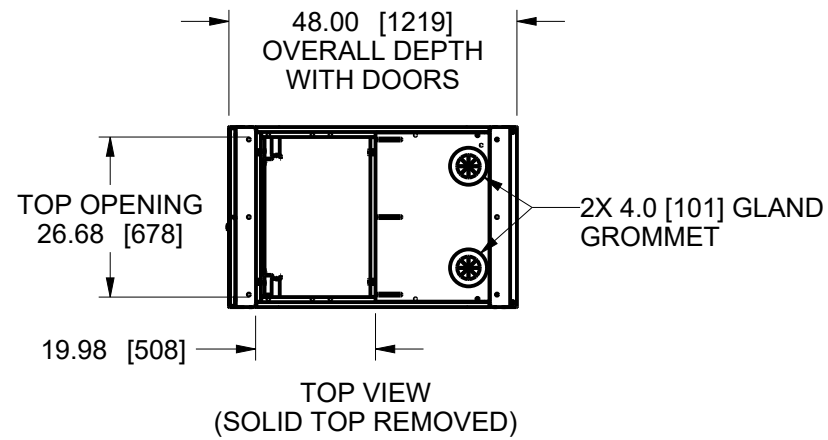


- NOTES:
 1. REAR DOORS AND SIDE PANELS ARE KEYED THE SAME
 2. NETWORK ENCLOSURE AVAILABLE WITHOUT REAR DOORS. SKU IN THE FORMAT SNE30N-45XX-LRD.
 3. DIMENSION FORMAT SHOWN: INCHES [MM].

REV	DESCRIPTION	REV BY	REV DATE	APP'D BY	DATE APP.
A	PRODUCTION RELEASE	///	////	RA	12/31/21

A
B
C
D
E

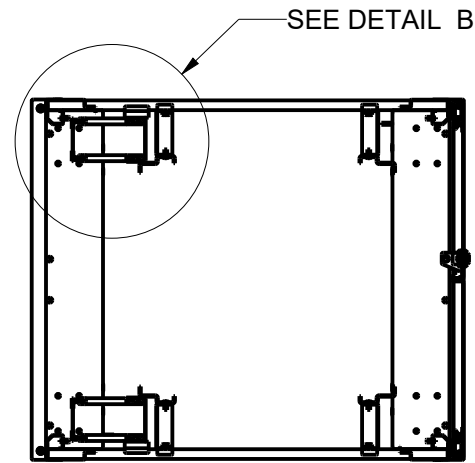


PROJECTION: 1" ANGLE SCALE = 1/32	UNLESS OTHERWISE SPECIFIED, ALL DIMENSIONS ARE IN INCHES GENERAL TOLERANCES: DEC: 1 PLACE +/-0.1 ANGLE: +/-1° 2 PLACE +/-0.03 FRAC: +/-1/32 3 PLACE +/-0.010 HOLE SIZE: +/-0.002	APPROVALS	DATE
		MODELED SB	05/16/19
SIZE B	SHEET 1 OF 2	DRAWN SB	12/28/21

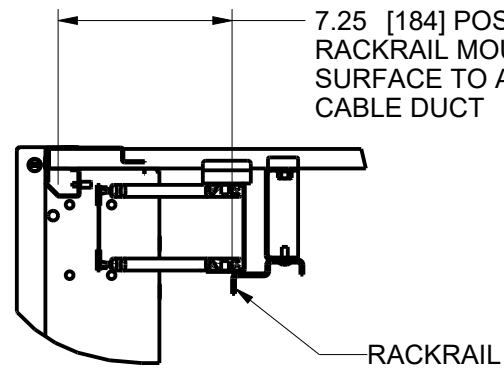


TITLE	SNE NETWORK ENCLOSURE
DWG NO.	SNE30N-4548 TECH_SPEC
DWG REV	A

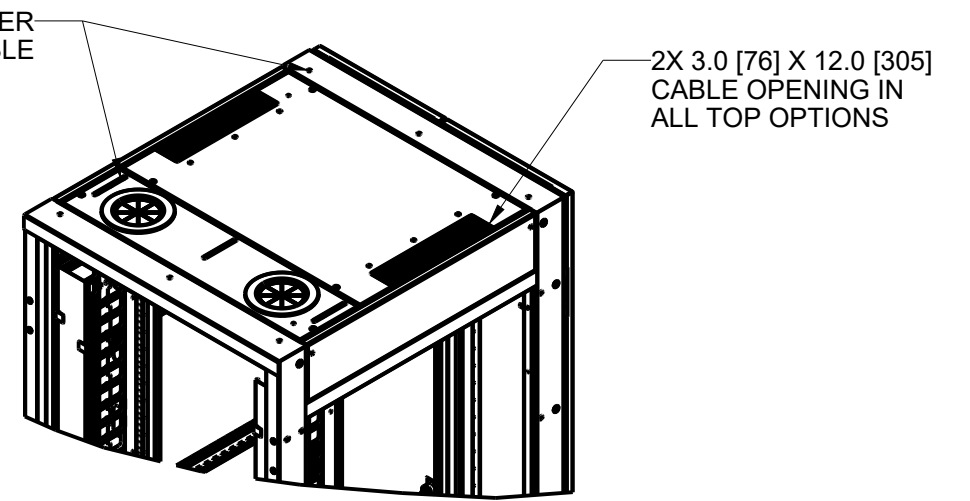
- NOTES:
 1. CABLE DUCT CAN BE INSTALLED AT EACH INSIDE CORNER OF THE RACK
 2. CABLE DUCTS ARE ONLY AVAILABLE FOR 30" WIDE RACKS
 3. DIMENSION FORMAT SHOWN: INCHES [MM].



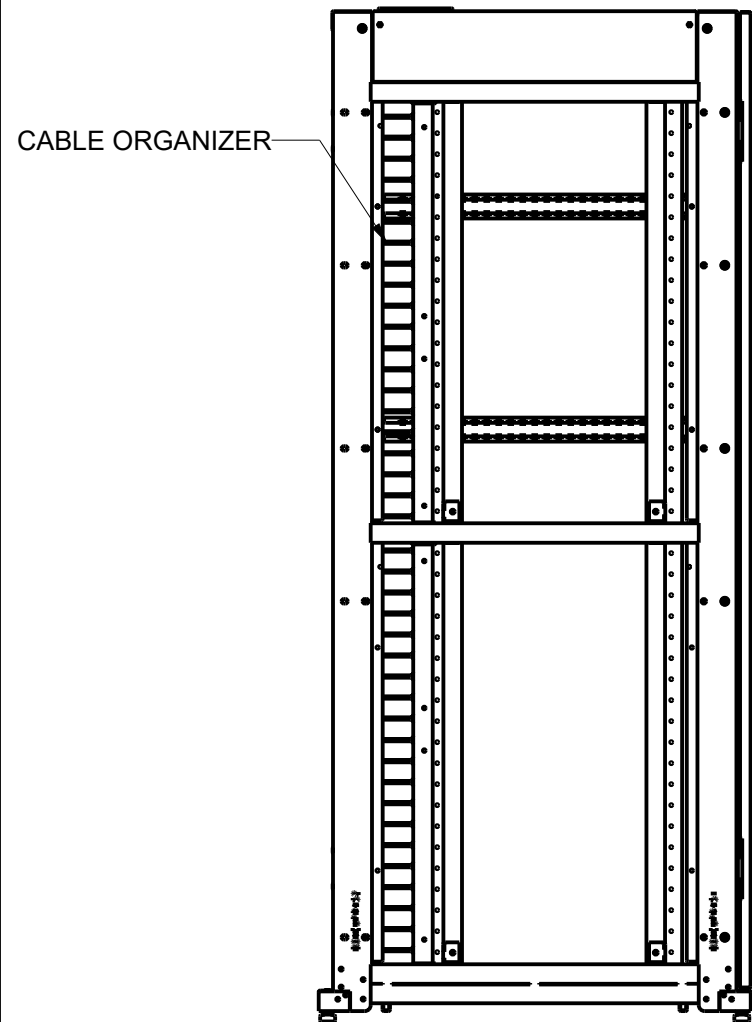
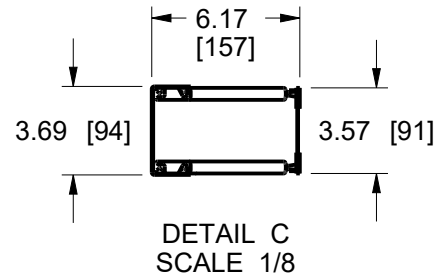
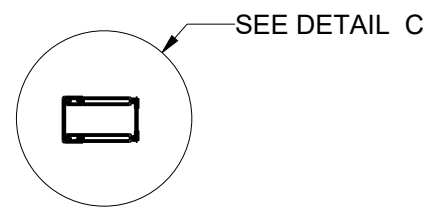
TOP VIEW SECTION A-A



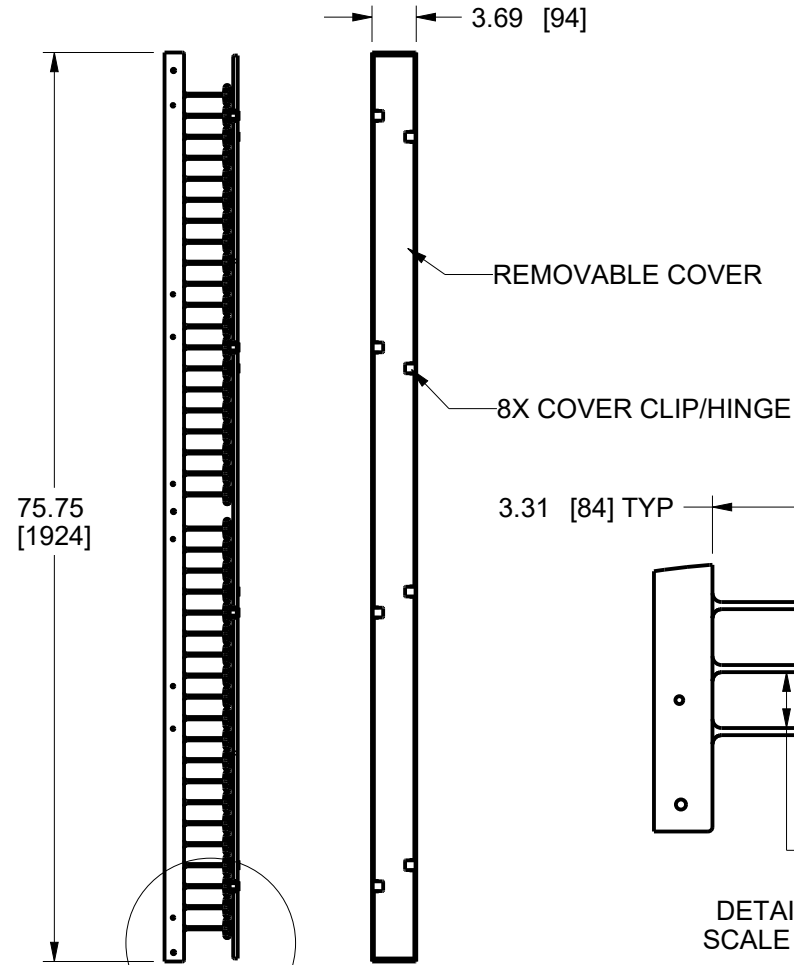
DETAIL B SCALE 1/8



SNE30N-4536 SHOWN

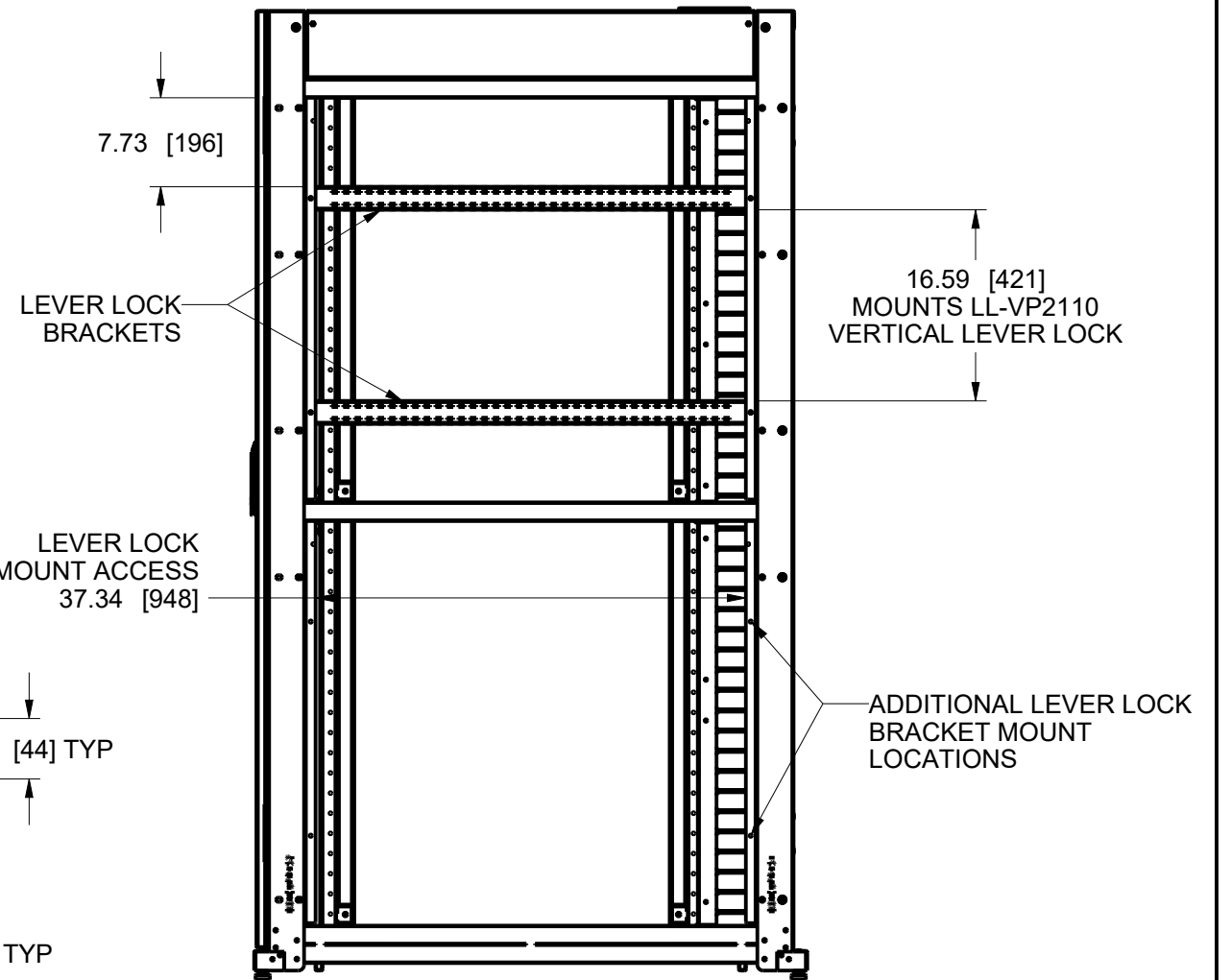
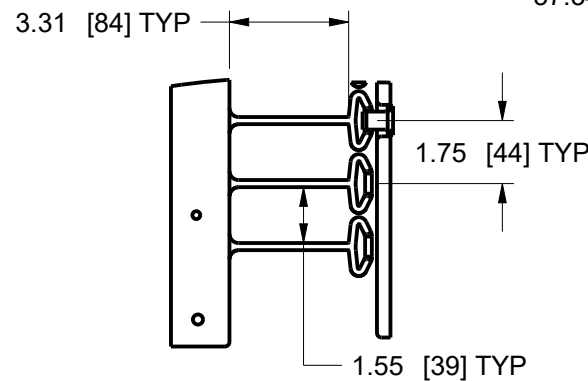


SIDE VIEW



SEE DETAIL D

CABLE ORGANIZER DUCT



SIDE VIEW

PROJECTION: 1" ANGLE	UNLESS OTHERWISE SPECIFIED, ALL DIMENSIONS ARE IN INCHES
SCALE = 1/16	GENERAL TOLERANCES:
SHEET 2 OF 2	DEC: 1 PLACE +/-0.1 ANGLE: +/-1°
	2 PLACE +/-0.03 FRAC: +/-1/32
	3 PLACE +/-0.010
	HOLE SIZE: +/-0.002

APPROVALS	DATE
MODELED SB	05/16/19
DRAWN SB	12/28/21

MIDDLE ATLANTIC

TITLE SNE NETWORK ENCLOSURE

DWG NO. SNE30N-4548_Tech_SPEC DWG REV A