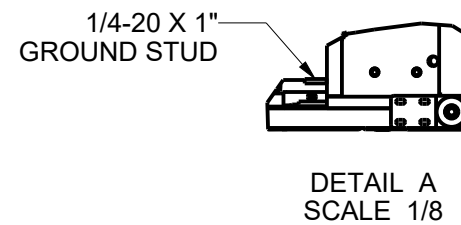
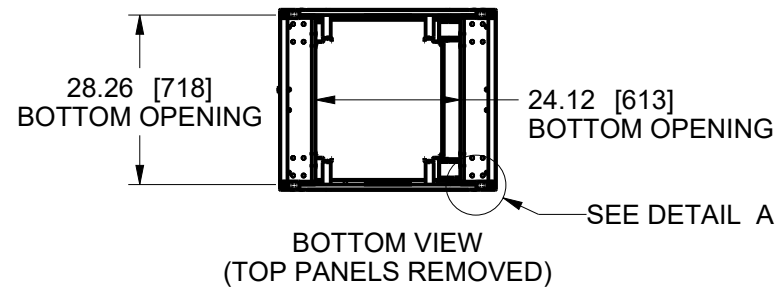
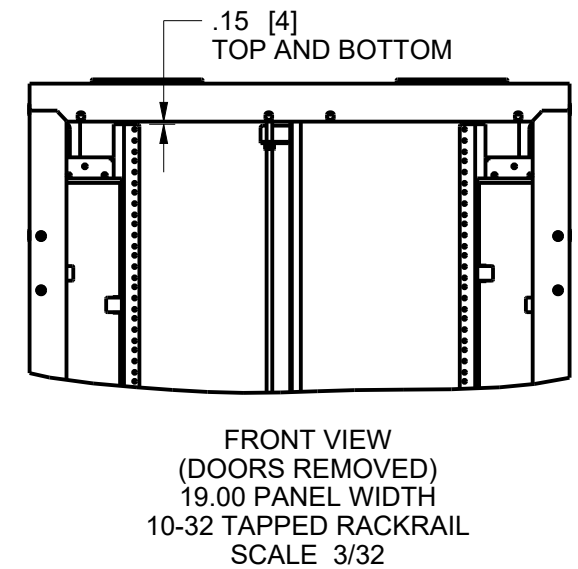
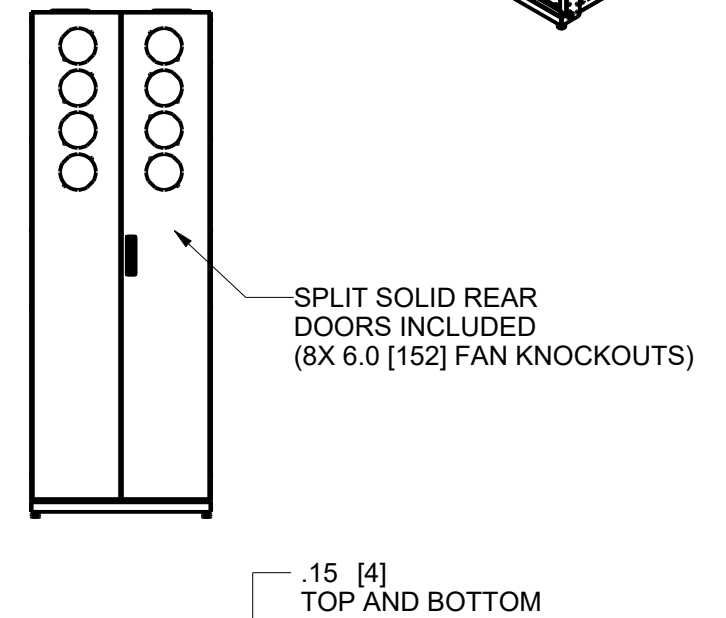
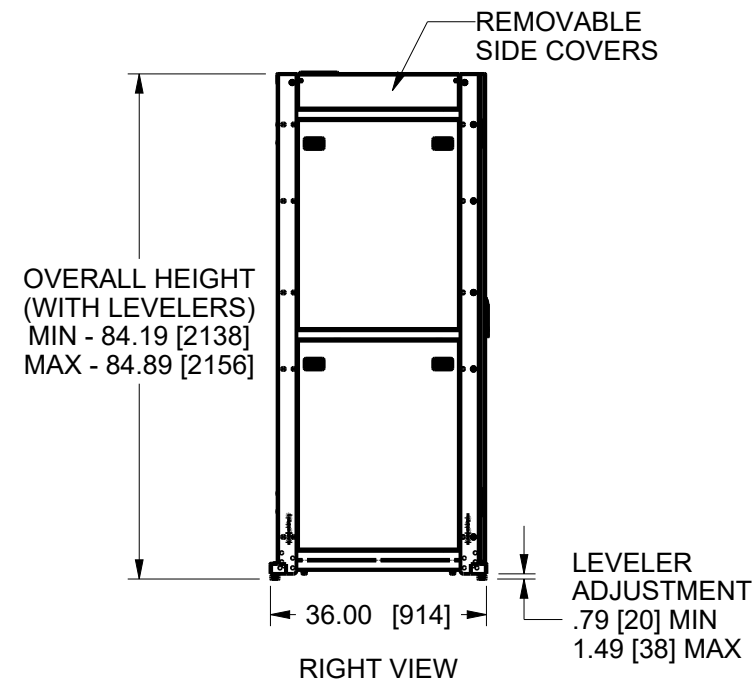
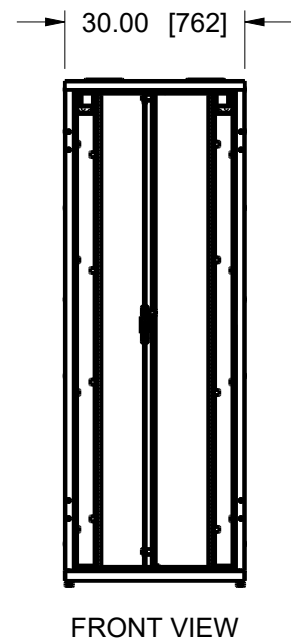
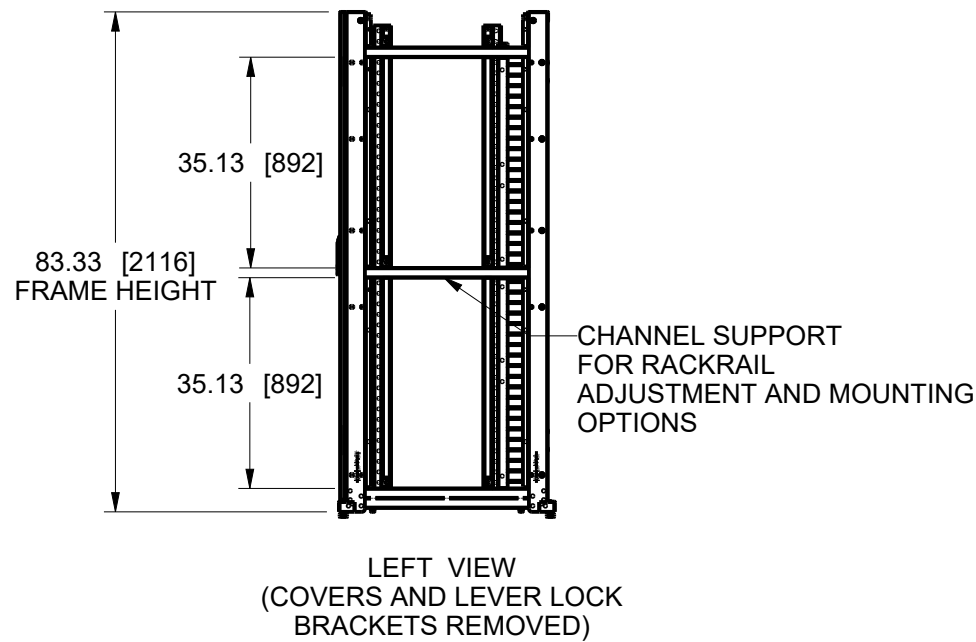
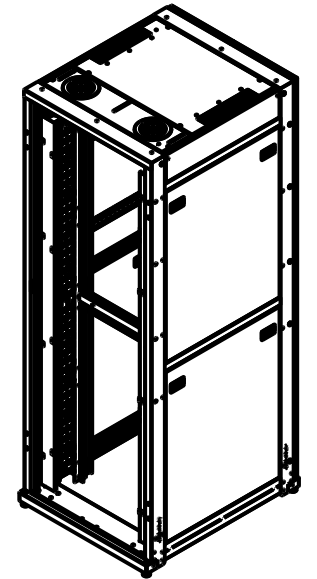
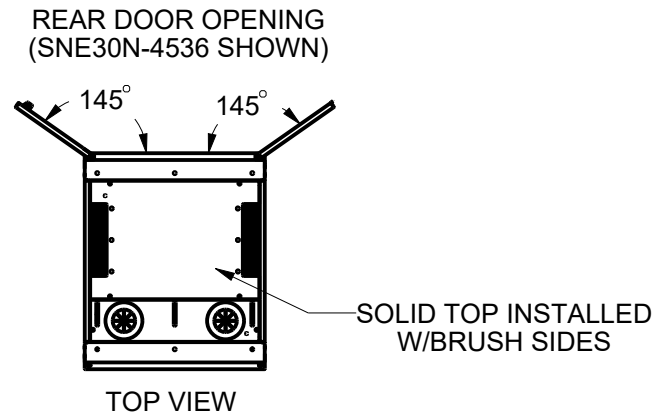
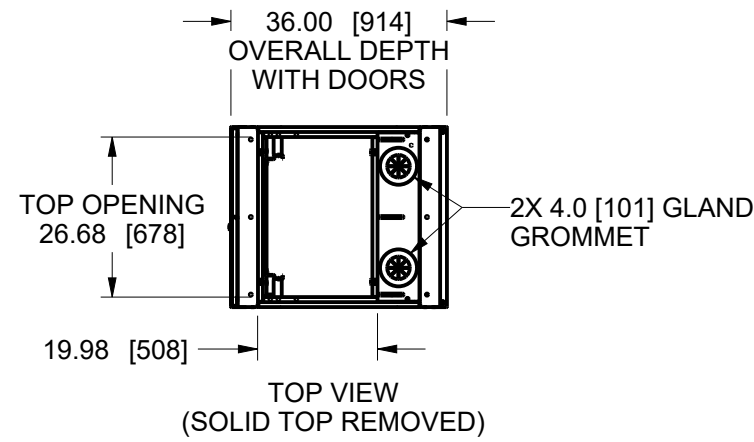


- NOTES:
 1. REAR DOORS AND SIDE PANELS ARE KEYED THE SAME
 2. NETWORK ENCLOSURE AVAILABLE WITHOUT REAR DOORS. SKU IN THE FORMAT SNE30N-45XX-LRD.
 3. DIMENSION FORMAT SHOWN: INCHES [MM].

REV	DESCRIPTION	REV BY	REV DATE	APP'D BY	DATE APP.
A	PRODUCTION RELEASE	///	////	RA	12/31/21

A
B
C
D
E

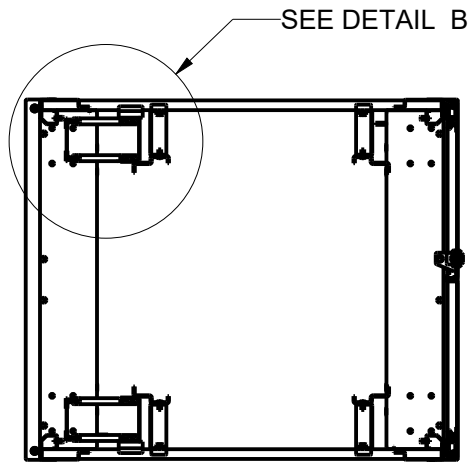


PROJECTION: 1" ANGLE	UNLESS OTHERWISE SPECIFIED, ALL DIMENSIONS ARE IN INCHES	APPROVALS	DATE
SCALE = 1/32	GENERAL TOLERANCES: DEC: 1 PLACE +/-0.1 ANGLE: +/-1° 2 PLACE +/-0.03 FRAC: +/-1/32 3 PLACE +/-0.010 HOLE SIZE: +/-0.002	MODELED RHP	04/18/19
SIZE B	SHEET 1 OF 2	DRAWN SB	12/28/21

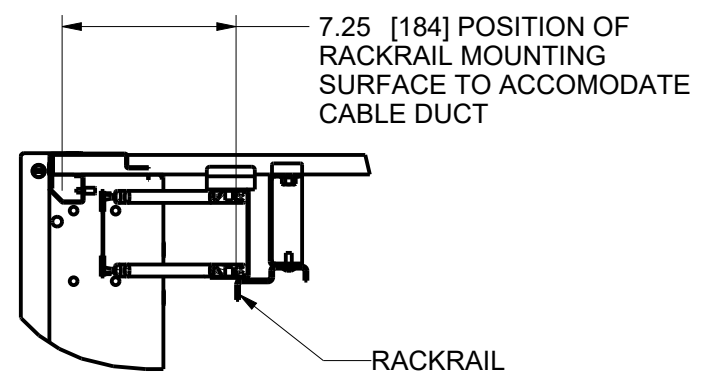
MIDDLE ATLANTIC

TITLE	SNE NETWORK ENCLOSURE	DWG REV	A
DWG NO.	SNE30N-4536_Tech_SPEC		

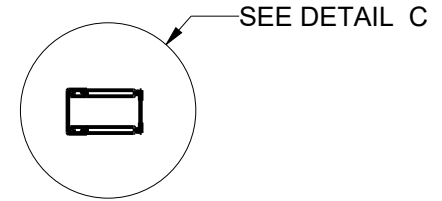
- NOTES:
 1. CABLE DUCT CAN BE INSTALLED AT EACH INSIDE CORNER OF THE RACK
 2. CABLE DUCTS ARE ONLY AVAILABLE FOR 30" WIDE RACKS
 3. DIMENSION FORMAT SHOWN: INCHES [MM].



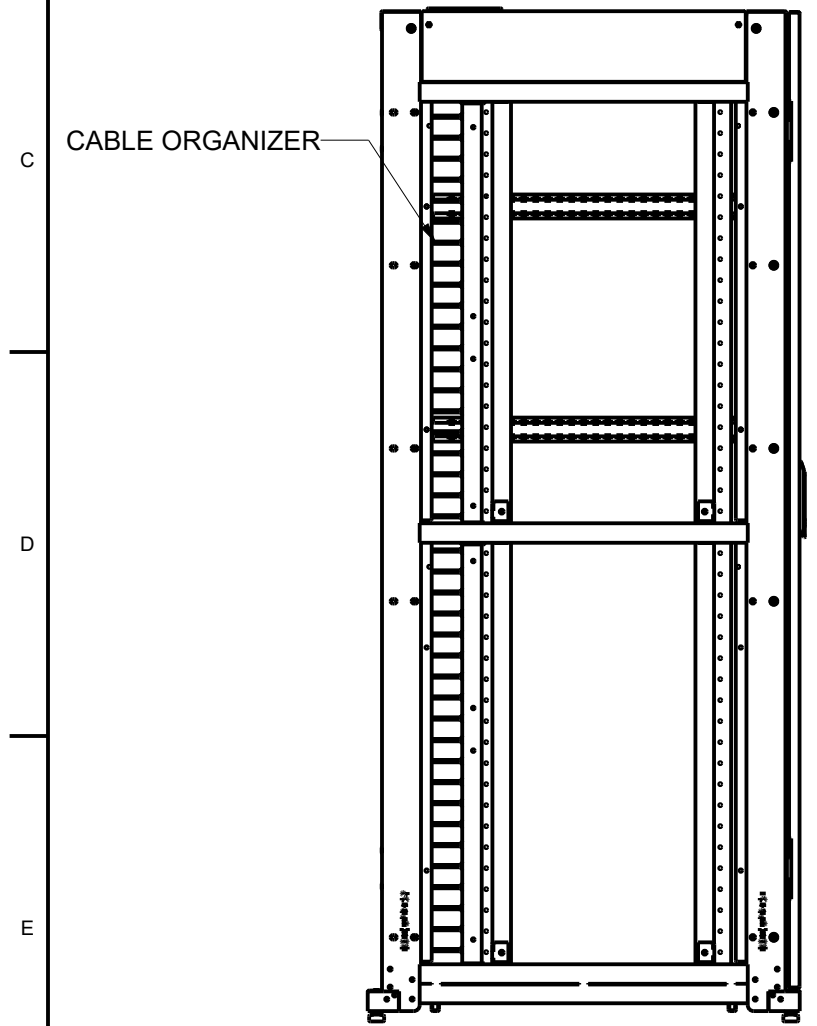
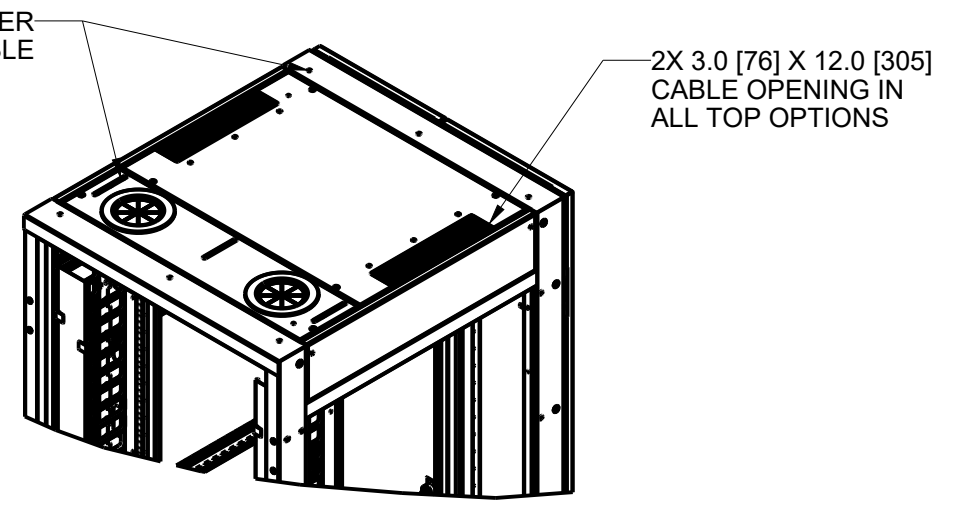
TOP VIEW SECTION A-A



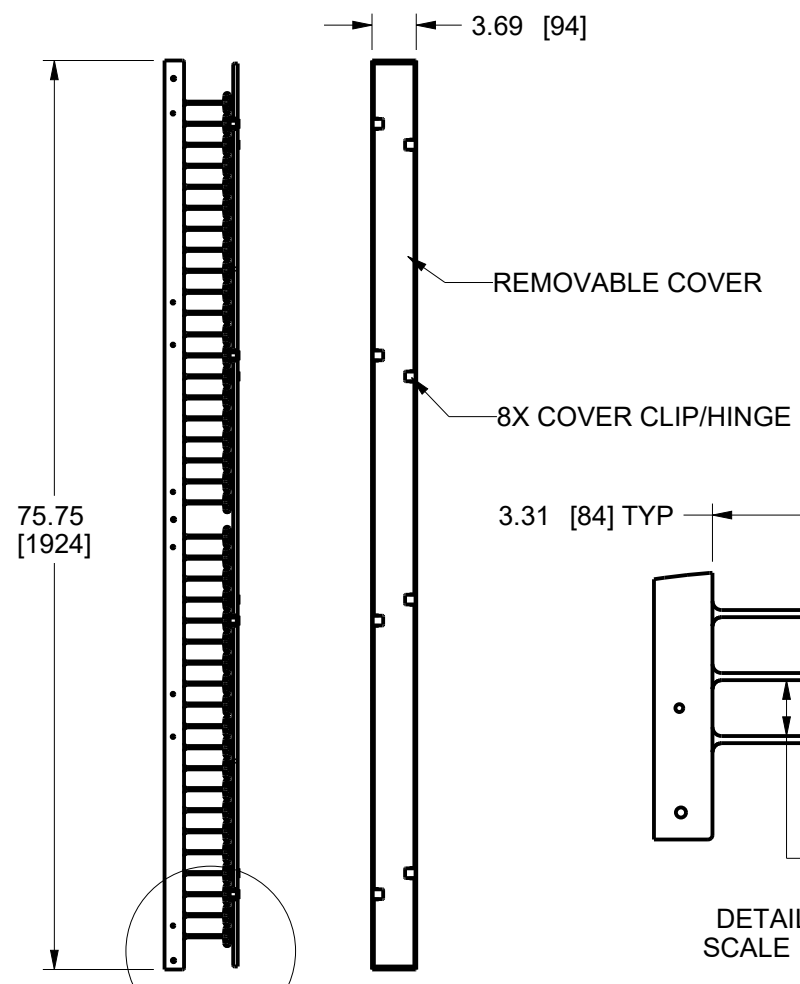
DETAIL B SCALE 1/8



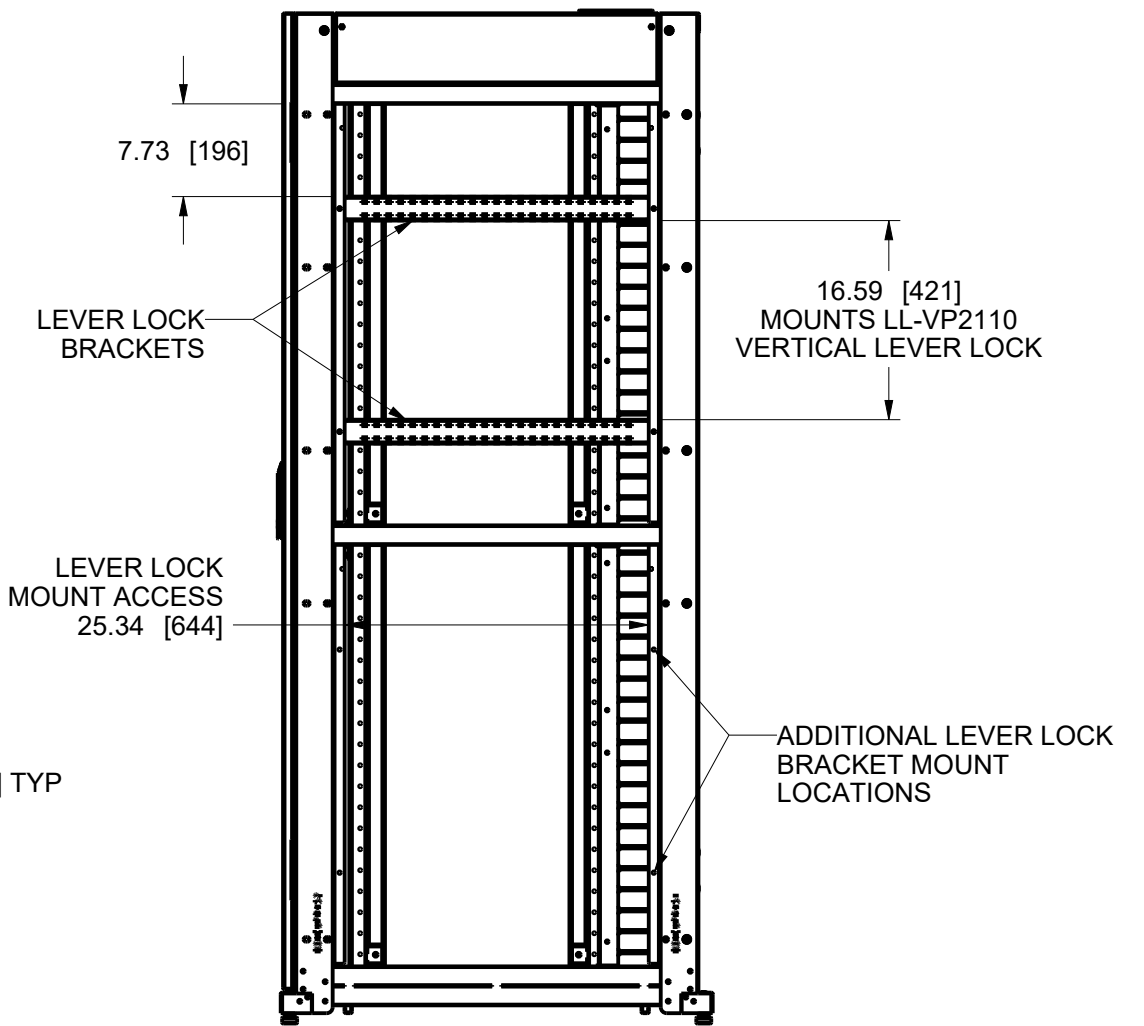
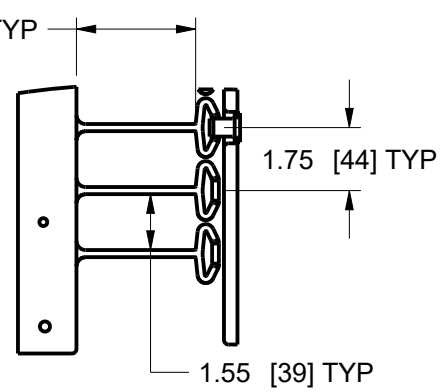
DETAIL C SCALE 1/8



SIDE VIEW



DETAIL D SCALE 3/16



SIDE VIEW

	UNLESS OTHERWISE SPECIFIED, ALL DIMENSIONS ARE IN INCHES GENERAL TOLERANCES: DEC: 1 PLACE +/-0.1 ANGLE: +/-1° 2 PLACE +/-0.03 FRAC: +/-1/32 3 PLACE +/-0.010 HOLE SIZE: +/-0.002	APPROVALS MODELED RHP DRAWN SB	DATE 04/18/19 12/28/21	TITLE SNE NETWORK ENCLOSURE DWG NO. SNE30N-4536_Tech_SPEC DWG REV A
	PROJECTION: 1" ANGLE SCALE = 1/16 SHEET 2 OF 2	SIZE B	MIDDLE ATLANTIC	REF: 2018 REV B - 07/14/21

THIS DRAWING CONTAINS TRADE INFORMATION DEEMED TO BE CONFIDENTIAL AND PROPRIETARY PROPERTY OF MIDDLE ATLANTIC PRODUCTS, INC. AND IS TO BE USED ONLY FOR THE PURPOSES FOR WHICH IT IS SUBMITTED AND FURTHER SHALL NOT BE COPIED IN WHOLE OR PART WITHOUT WRITTEN PERMISSION FIRST OBTAINED FROM MIDDLE ATLANTIC PRODUCTS, INC.