

SNE SERIES NETWORKING ENCLOSURE

Designed for systems with dense cabling when utilizing network-patching equipment. It comes equipped with internal cable ducts to properly route and protect your cables inside the enclosure.



FEATURES

- Fully welded construction provides the following weight capacities:
 - UL Listed load capacity – 3,000 lbs.
 - Seismic certified capacity – 1,050 lbs.
 - Lever Lock™ compatible (accepts all 21" vertical accessories)
- Ships fully configured and includes
 - (2) Cable Ducts in Front for cable management
 - (4) leveling feet
 - Solid split rear door (select models)
 - Solid top
 - (2) pair of adjustable 10-32 tapped rackrail
 - Pack of (100) 10-32 rack screws
- Available in 30" width
- Available in 36" and 48" overall depths
- Doors accommodate industry standard 150 x 25mm electronic door locks



Internal Cable Duct

SNE SERIES NETWORKING ENCLOSURE

OPTIONS

- Split lift-off cable chase shall be 4.4" wide and mount in-between enclosures, model #SNE-CC-__LT (refer to drawing for model number)
- Cable duct shall be model # SNE-__DUCT-4X6-__and be available packaged or installed (refer to chart)
- Cable chase shall be model # SNE-__-CC12-45__(refer to chart), and shall be 12" wide x __" deep x 83.33" high
- Front air dam/zero-U panel mount shall be model #SNE-__-FAD-PM-__ (refer to drawing for model #)
- Bracket for top cable pass-through enclosure to enclosure shall provide the ability to pass cables from enclosure to enclosure when ganged together, and shall be model # SNE-TCB-__ (36, 42, 48)
- 6" wide wire type vertical lace shall be model #LACE-WB6-__ (24, 42, 45)
- Seismic Zone-4 and Seismic Use Group III compliancy floor anchor kit shall be model # SNE __-Z4 (24,30)
- SNE Universal Power Bracket shall be model number SNE-UVPB-4245-S and fit 42RU and 45RU models.

SPECIFICATIONS

EIA compliant 19" gangable hybrid security network enclosure shall be Middle Atlantic Products model # SNE30N-45_ (refer to chart). Overall dimensions shall be __"H x 30"W x __"D (refer to chart). Useable height shall be 45 rackspaces, useable depth shall be __" (refer to chart). Fully welded construction shall provide a UL Listed load capacity of 3,000 lbs. SNE shall come equipped with two pairs of fully adjustable steel rackrail with tapped 10-32 mounting holes in universal EIA spacing, black e-coat finish and numbered rackspaces. SNE shall include solid split rear doors capable of accepting up to eight qty 6" fans. SNE shall include one pair of Lever Lock™ mounting brackets. SNE shall have pre-threaded 5/16"-18 ganging holes. SNE shall be capable of ganging while fully loaded, using bolts only. SNE shall have marked rackrail depth indicators. SNE shall be of fully welded construction. SNE shall be finished in an environmentally friendly, durable black powder coat. SNE Series enclosures shall satisfy the 2007 & 2010 CBC; 2006, 2009 & 2012 IBC; ASCE 7-05 (2005 Edition) & ASCE 7-10 (2010 Edition) and the 2006 & 2009 editions of NFPA 5000 for use in areas of high seismicity, Seismic Use Group III, Zone 4 or Seismic Design Category (SDC) "D" with lateral force requirements for protecting 1,050 lbs. of essential equipment in locations with the highest level of seismicity and top floor installations with an Importance factor (Ip) of 1.5 when used with SNE-Z4 seismic floor anchor bracket. SNE shall be UL Listed in the US and Canada to the UL-2416 (NWIN) category. SNE shall be GREENGUARD Gold Certified. SNE enclosure shall be RoHS EU Directive 2002 / 95 / EC compliant. SNE shall be manufactured by an ISO 9001 and ISO 14001 registered company. SNE enclosure shall be warranted to be free from defects in material or workmanship under normal use and conditions for the lifetime of the rack.



PRODUCT CERTIFIED FOR
LOW CHEMICAL EMISSIONS
ULCOM/GG
UL 2818

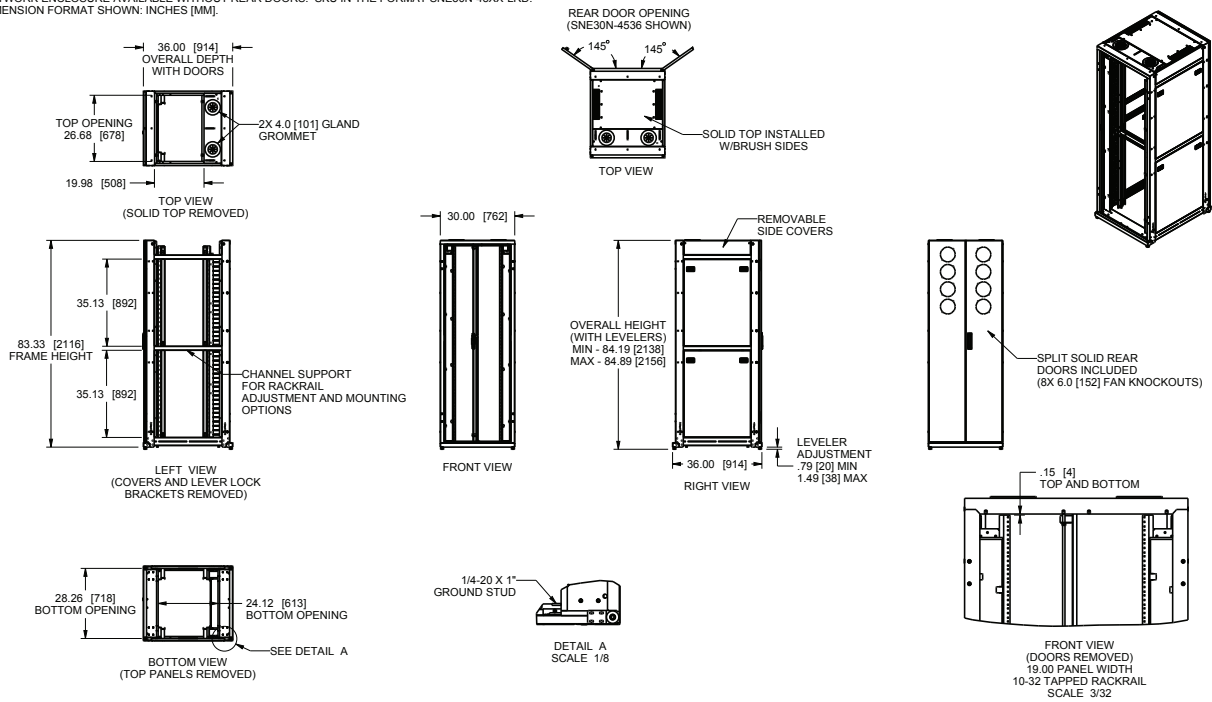


SNE SERIES NETWORKING ENCLOSURE

BASIC DIMENSIONS

NOTES:

1. REAR DOORS AND SIDE PANELS ARE KEYPED THE SAME
2. NETWORK ENCLOSURE AVAILABLE WITHOUT REAR DOORS. SKU IN THE FORMAT SNE30N-45XX-LRD.
3. DIMENSION FORMAT SHOWN: INCHES [MM].



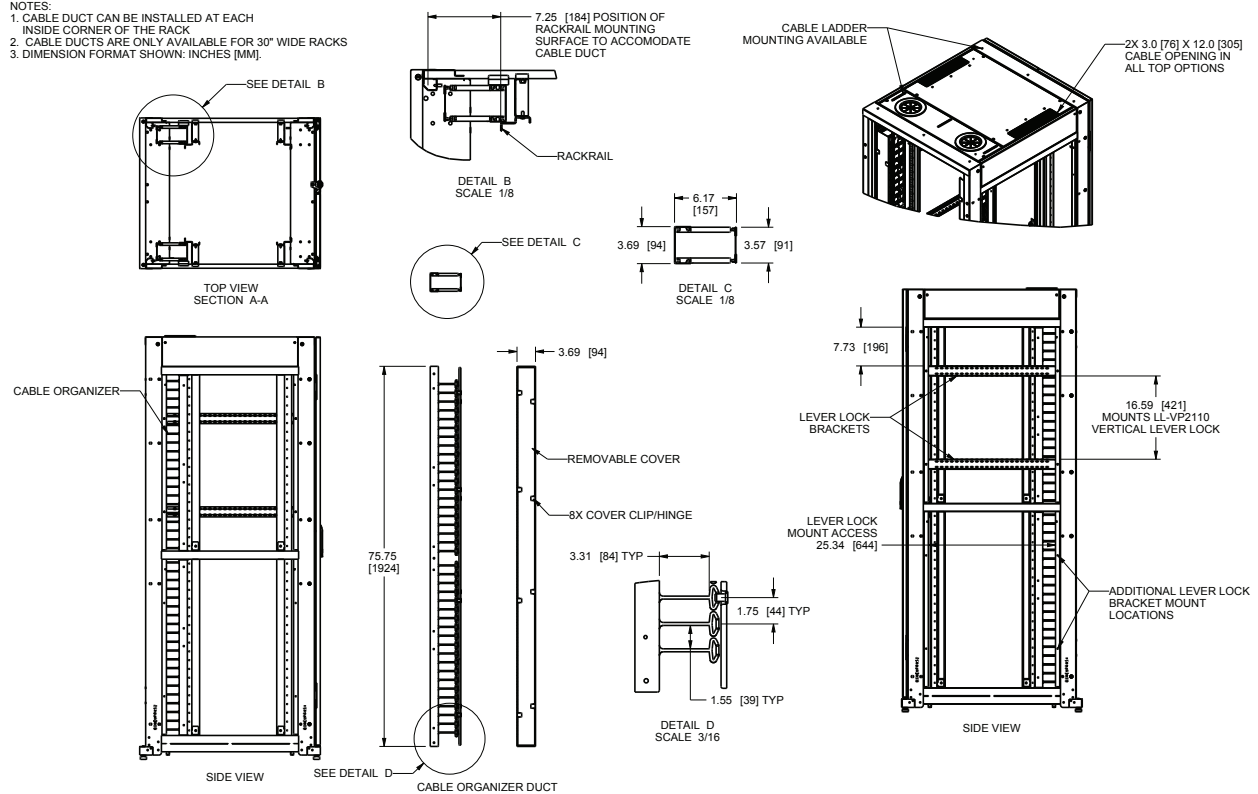
SNE30N-4536

SNE SERIES NETWORKING ENCLOSURE

BASIC DIMENSIONS

NOTES:

1. CABLE DUCT CAN BE INSTALLED AT EACH INSIDE CORNER OF THE RACK
2. CABLE DUCTS ARE ONLY AVAILABLE FOR 30" WIDE RACKS
3. DIMENSION FORMAT SHOWN: INCHES [MM]

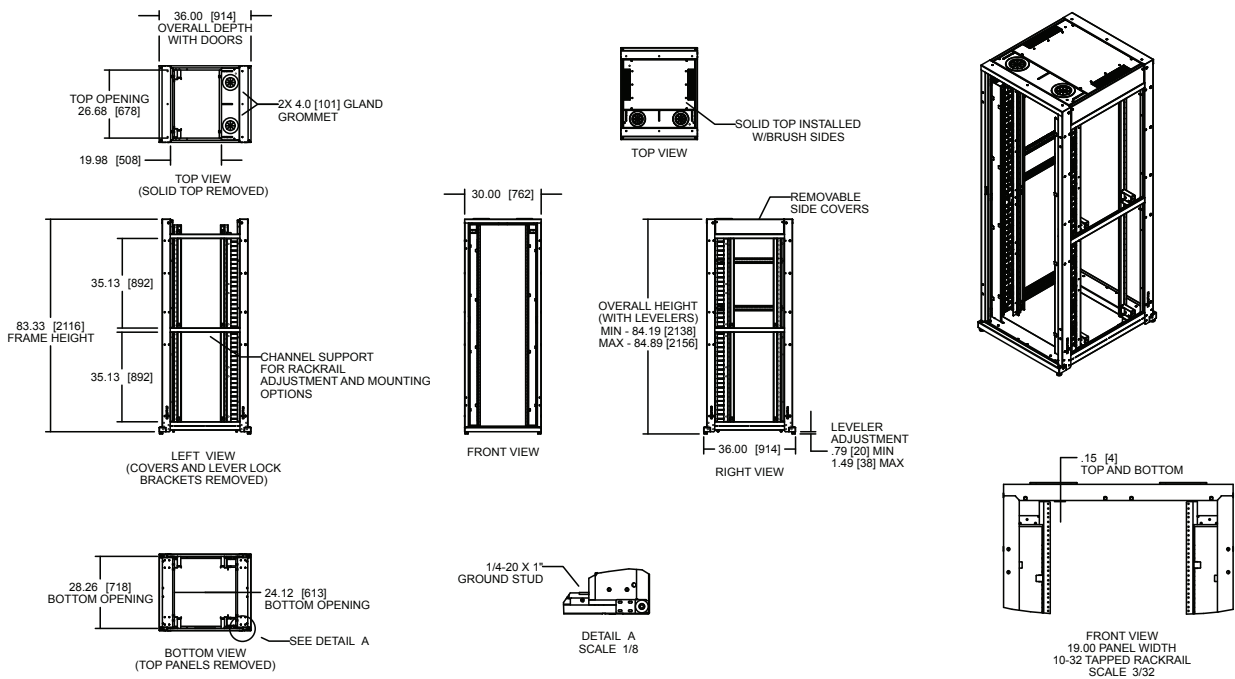


SNE30N-4536

SNE SERIES NETWORKING ENCLOSURE

BASIC DIMENSIONS

NOTES:
1. NETWORK ENCLOSURE AVAILABLE WITH REAR DOORS. SKU IN THE FORMAT SNE30N-45XX.
2. DIMENSION FORMAT SHOWN: INCHES [MM].



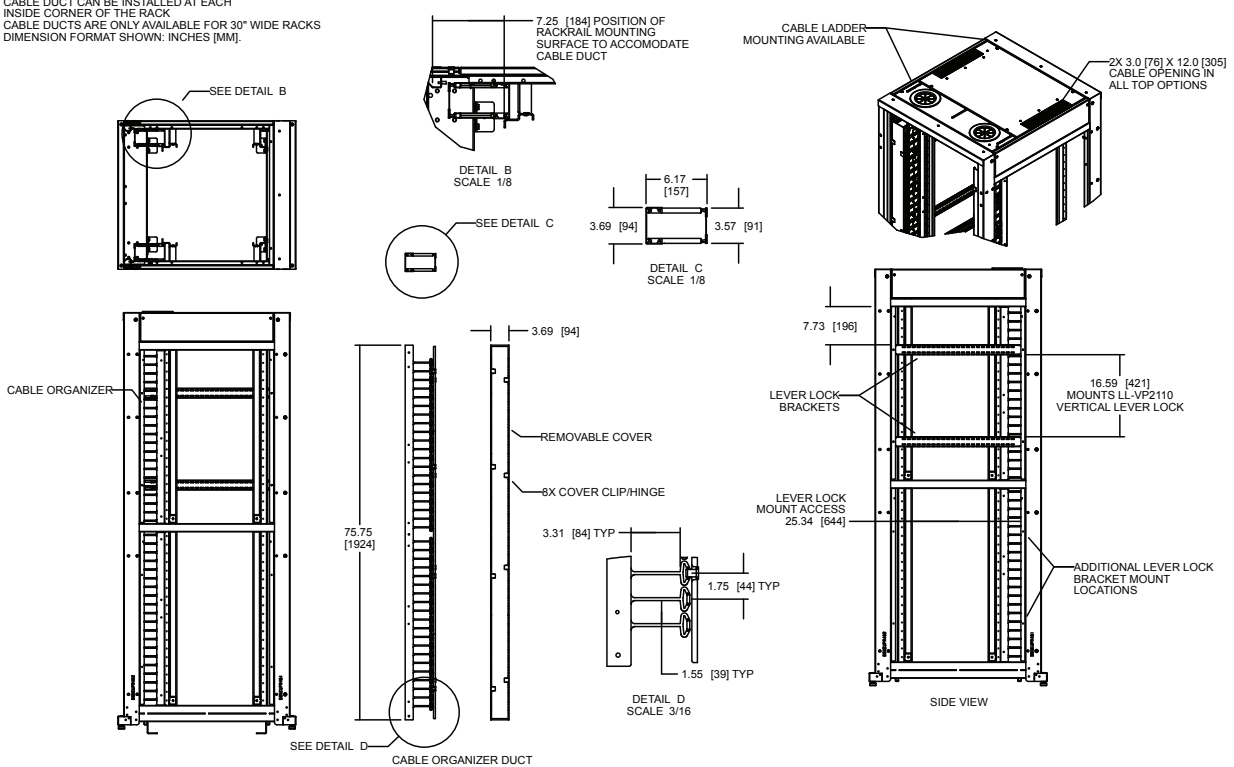
SNE30N-4536-LRD

SNE SERIES NETWORKING ENCLOSURE

BASIC DIMENSIONS

NOTES:

1. CABLE DUCT CAN BE INSTALLED AT EACH INSIDE CORNER OF THE RACK
2. CABLE DUCTS ARE ONLY AVAILABLE FOR 30" WIDE RACKS
3. DIMENSION FORMAT SHOWN: INCHES [MM].



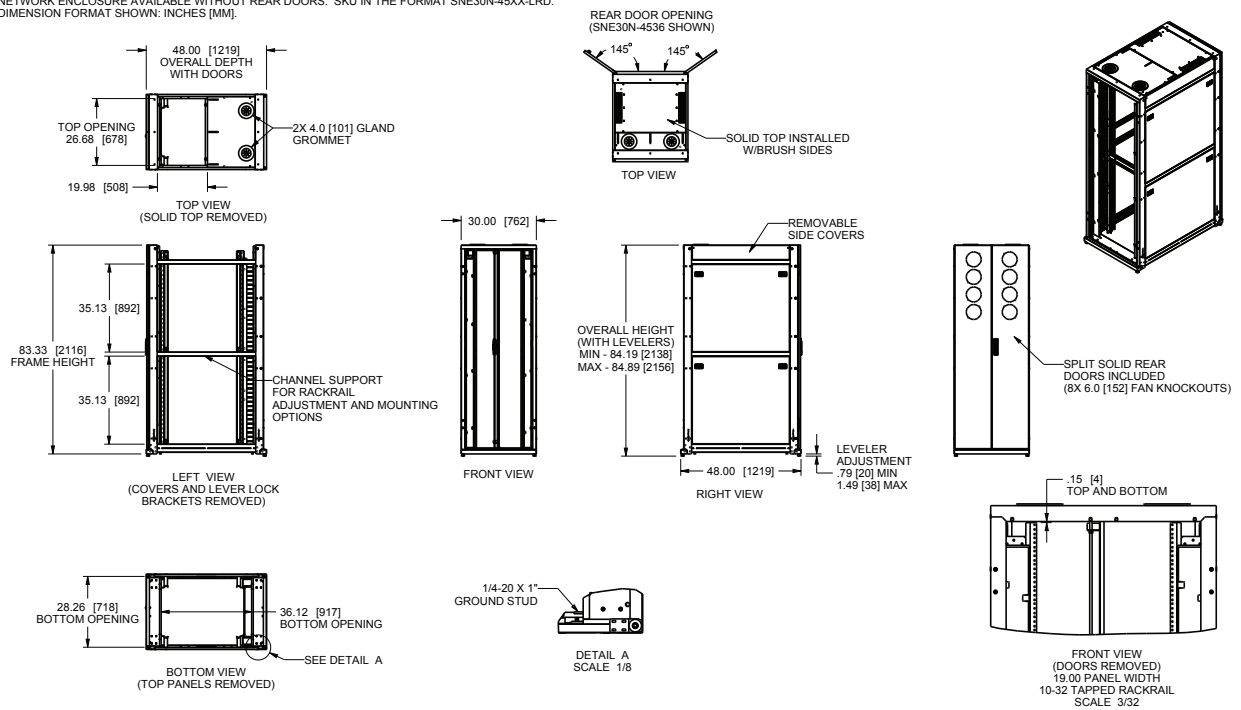
SNE30N-4536-LRD

SNE SERIES NETWORKING ENCLOSURE

BASIC DIMENSIONS

NOTES:

1. REAR DOORS AND SIDE PANELS ARE KEYPED THE SAME
2. NETWORK ENCLOSURE AVAILABLE WITHOUT REAR DOORS. SKU IN THE FORMAT SNE30N-45XX-LRD.
3. DIMENSION FORMAT SHOWN: INCHES [MM].



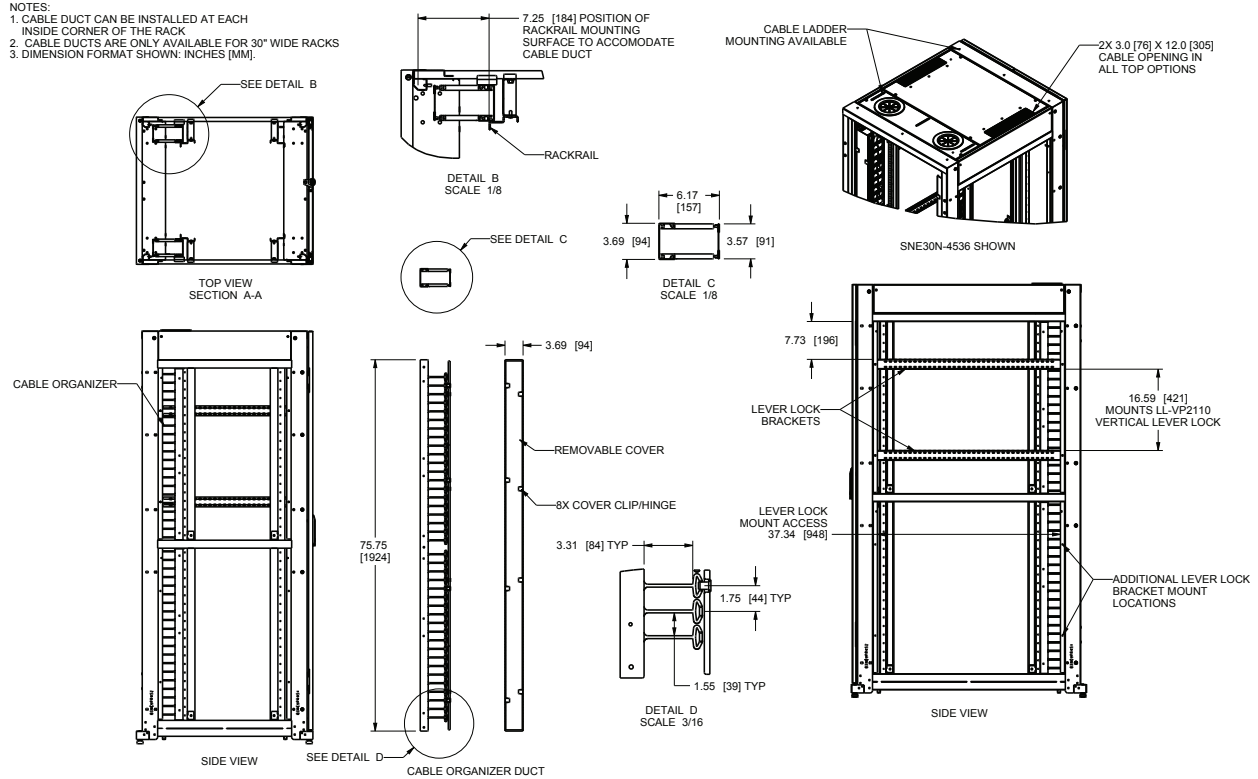
SNE30N-4548

SNE SERIES NETWORKING ENCLOSURE

BASIC DIMENSIONS

NOTES:

1. CABLE DUCT CAN BE INSTALLED AT EACH INSIDE CORNER OF THE RACK
2. CABLE DUCTS ARE ONLY AVAILABLE FOR 30" WIDE RACKS
3. DIMENSION FORMAT SHOWN: INCHES [MM]

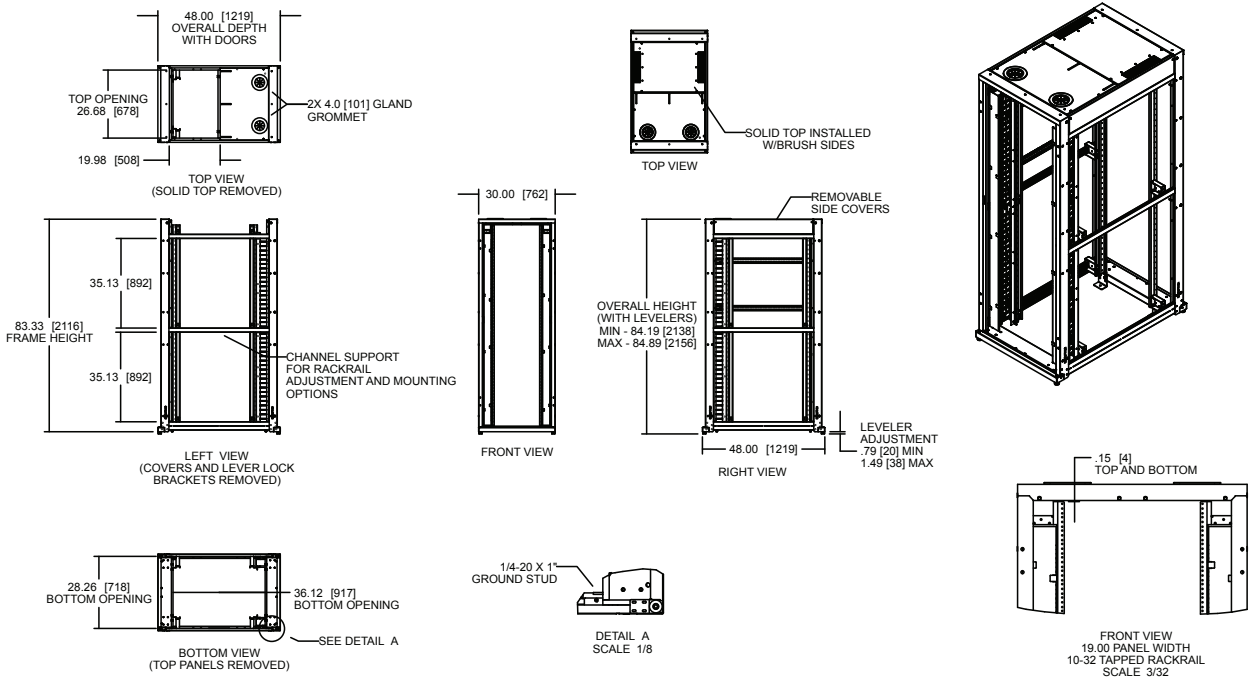


SNE30N-4548

SNE SERIES NETWORKING ENCLOSURE

BASIC DIMENSIONS

NOTES:
1. NETWORK ENCLOSURE AVAILABLE WITH REAR DOORS. SKU IN THE FORMAT SNE30N-45XX.
2. DIMENSION FORMAT SHOWN: INCHES [MM].



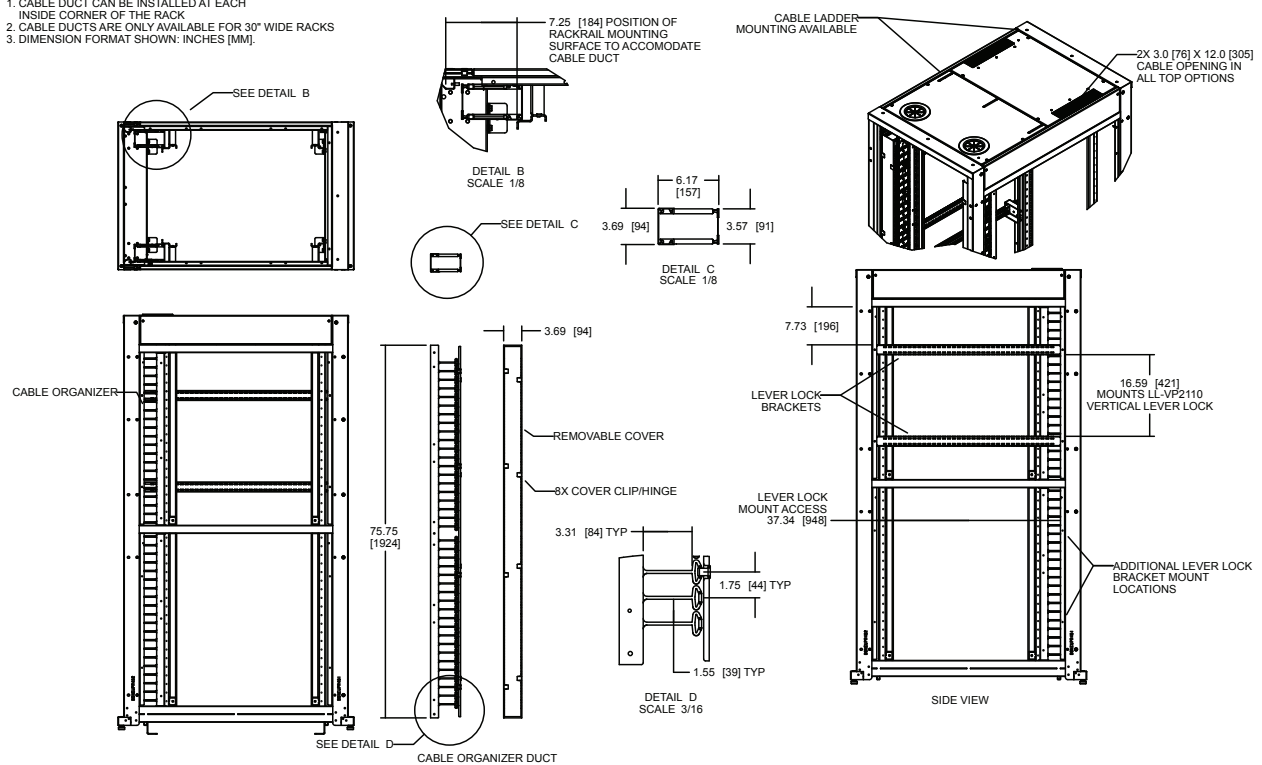
SNE30N-4548-LRD

SNE SERIES NETWORKING ENCLOSURE

BASIC DIMENSIONS

NOTES:

1. CABLE DUCT CAN BE INSTALLED AT EACH INSIDE CORNER OF THE RACK
2. CABLE DUCTS ARE ONLY AVAILABLE FOR 30" WIDE RACKS
3. DIMENSION FORMAT SHOWN: INCHES [MM].



SNE30N-4548-LRD

LEGRAND | AV COMMERCIAL BRANDS
C2G | Chief | Da-Lite | Luxul | Middle Atlantic | Vaddio | Wiremold

WHAT GREAT SYSTEMS ARE BUILT ON™ | legrandav.com

USA 800.266.7225 av.middleatlantic.support@legrand.com CANADA 888.766.9770 av.middleatlantic.support@legrand.com

©2024 Legrand AV Inc. 220005 - 120-00011 Rev B 8/24 Middle Atlantic is a registered trademark of Legrand AV Inc. All other brand names or marks are used for identification purposes and are trademarks of their respective owners. All patents are protected under existing designations. Other patents pending.