

5G/4G/3G/2G MiMo Desk Mount Antenna

DMM-7-38 Range



Supports MiMo & diversity across 2G/3G/4G/5G
 Two omni-directional ultra wideband elements
 Fold out feet for desk mounting
 Optional suction mount

The DMM antenna provides an innovative and future proof solution for 2G / 3G / 4G and 3.5GHz 5G networks. Incorporating two separately fed ultra wideband elements in a single housing the DMM is equipped to provide portable MiMo and diversity support for the networks of today and tomorrow.

The DMM is highly portable and features desk mount feet which fold out for use, and flat for transport. A handy suction window mount enables users to optimise their signal in multiple locations, with instant installation and easy removal.

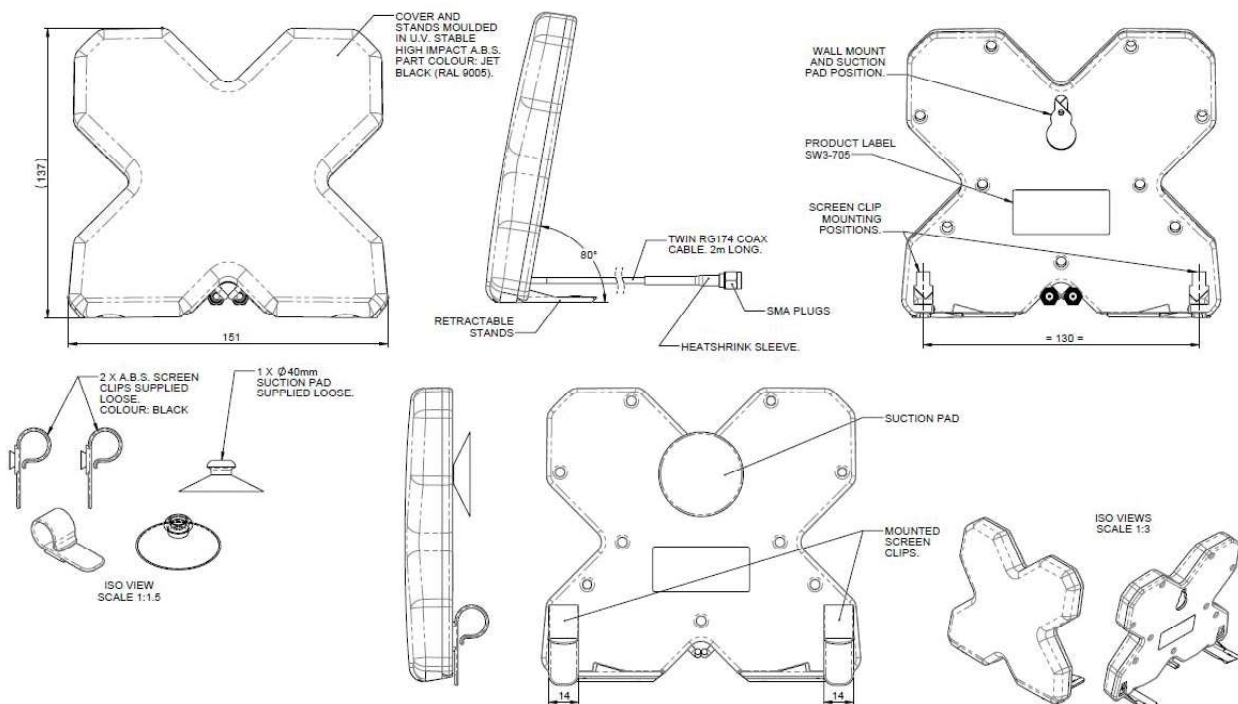
The product is supplied with up to 2 metres (6') of cable and a variety of connectors are available.

The DMM is a cost effective value added product for network operators and service providers ensuring a stable link with improved data rates for subscribers thereby improving satisfaction and retention.



Technical Drawing

DMM-7-38-2SP shown



5G/4G/3G/2G MiMo Desk Mount Antenna

DMM-7-38 Range

PANORAMA  ANTENNAS

Product Data

| Part No. | | DMM-7-38-2SP | DMM-7-38-2RPSP | DMM-7-38-2TS9 | DMM-7-38-2CRC9 |
|---|--|----------------------|----------------|---------------|----------------|
| Electrical Data | | | | | |
| Frequency Range (MHz) | Antenna 1 | 698-960 / 1710-3800 | | | |
| | Antenna 2 | 698-960 / 1710-3800 | | | |
| Operational Bands | 2G / 3G / 4G / 5G | | | | |
| Radiation Pattern | Omni-directional | | | | |
| Typical VSWR | < 2.5:1 | | | | |
| Peak Gain - excluding cable loss (all bands) | 698-960MHz | 2.5dBi | | | |
| | 1710-2170MHz | 5dBi | | | |
| | 2.2-3.8GHz | 4dBi | | | |
| Efficiency - excluding cable loss (all bands) | 698-960MHz | > 60% | | | |
| | 1710-2170MHz | > 80% | | | |
| | 2.2-3.8GHz | > 50% | | | |
| Correlation Co-efficient (all bands) | < 0.1 | | | | |
| Element Isolation | > 18dB | | | | |
| Max Input Power (W) | 20 Watts | | | | |
| Impedance | 50Ω | | | | |
| Mechanical Data | | | | | |
| Dimensions (mm) | Height | 137 (5.4") | | | |
| | Width | 151 (5.94") | | | |
| Operating Temp (°C) | -40° / +80°C (-40° /180°F) | | | | |
| Material | U.V. Stabilised ABS | | | | |
| Colour | RAL9005 (Jet Black) | | | | |
| Weight | 250g | | | | |
| Mounting Data | | | | | |
| Fixing | Desk mount / screen clip window mount | | | | |
| Cable Data | | | | | |
| Type | 2 x RG174 | | | | |
| Diameter (mm) | 2.8 (0.1") | | | | |
| Length (m) | 2 (6.5') | | | | |
| Termination | 2 x SMA (m) | 2x Rev Pol SMA Plugs | 2 x TS9 (m) | 2 x CRC9 (m) | |

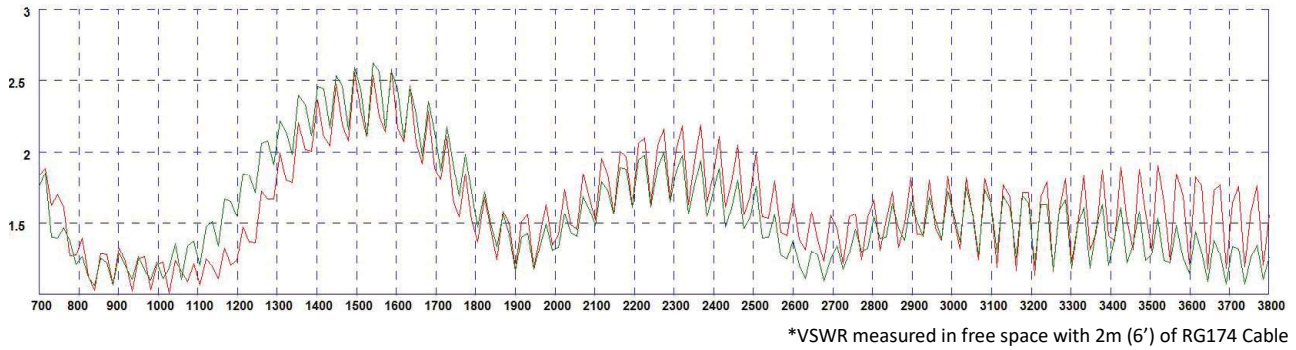
5G/4G/3G/2G MiMo Desk Mount Antenna

DMM-7-38 Range

PANORAMA ANTENNAS

Electrical Data

Typical VSWR - Elements 1&2



Typical Isolation - Elements 1&2

