

AP-303H-MNTU Mount Kit

Installation Guide

The AP-303H-MNTU is designed to protect USB modules that are inserted into the USB port of the AP-303H. A USB module can be inserted directly or with a USB cable extension to ensure fit under the side cover.



A #1 Phillips Head screwdriver is required for installation.

Package Contents

- AP-303H-MNTU plastic mount bracket
- Front cover
- (x4) #6-32x1 Phillip screws
- (x1) M2.5x6.5 t8H Hex Screw
- USB cable

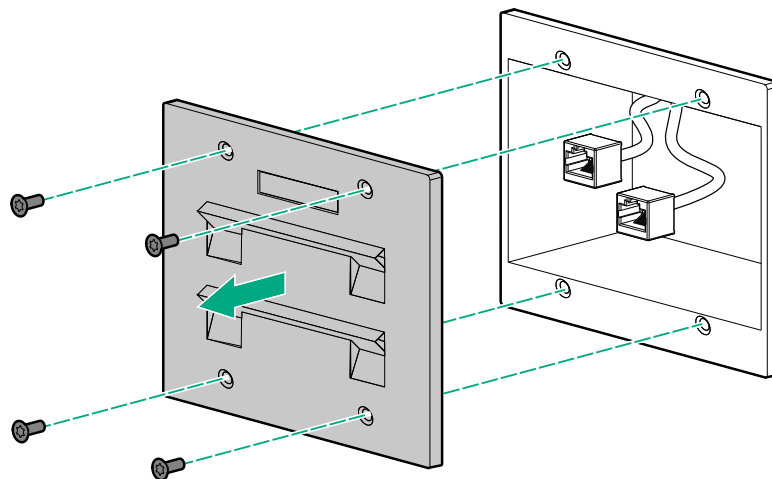
Installation



This mount kit supports 303H Series access points, single, and dual gang wall boxes. The instructions in this guide show the single gang wall box installation.

1. If the wall box is not already exposed, unscrew and remove the existing wall plate, as shown in [Figure 1](#).

Figure 1 *Remove Existing Wall Plate*

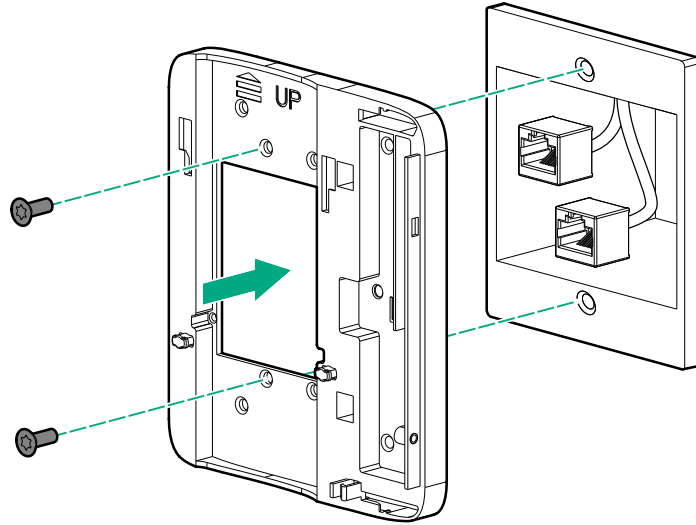


2. If needed, detach any RJ45 cables by unclipping the connectors from the wall plate or cutting/removing the UTP cable(s).
3. Use an Ethernet cable to link the E0 port to an active connector, or crimp an RJ45 plug to the cable, and insert it into the E0 port. Secure the 303H access point on the mount.



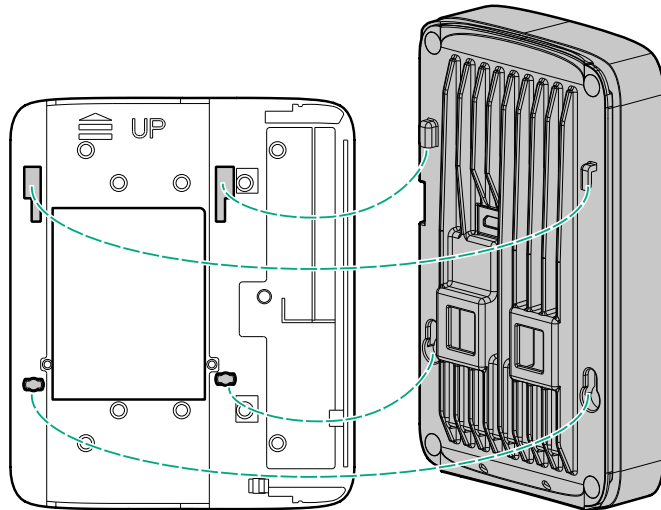
4. Align the screw holes on the mounting bracket with the corresponding holes on the single gang wall box.
5. Screw the wall mount onto the wall box using the #6-32x1 Phillip screws, as shown in [Figure 2](#).

Figure 2 Attach Wall Mount to Single Gang Wall Box



6. Connect any required cables to the rear of the access point.
7. Align the mounting slots on the back of your AP-303H access point with the corresponding posts on the wall mount as shown in [Figure 3](#).

Figure 3 Secure AP-303H to Wall Mount



8. Plug in the USB module, as shown in [Figure 4](#). If a USB module cannot be plugged in directly, plug in the USB extension cable, reroute the extension cable upward, and plug the open end into the USB module (see [Figure 5](#)).

Figure 4 *Plug In USB Module*

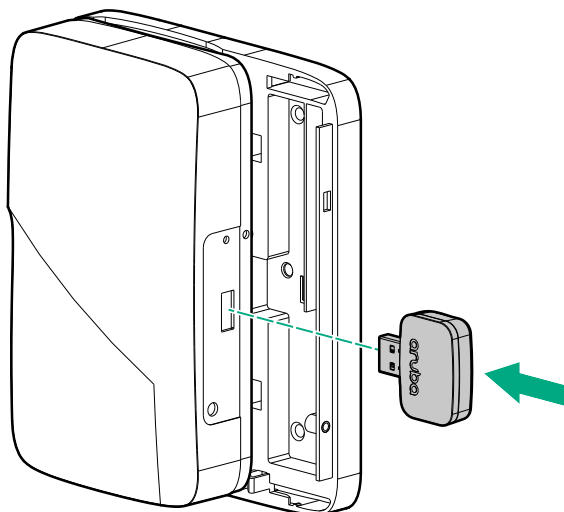
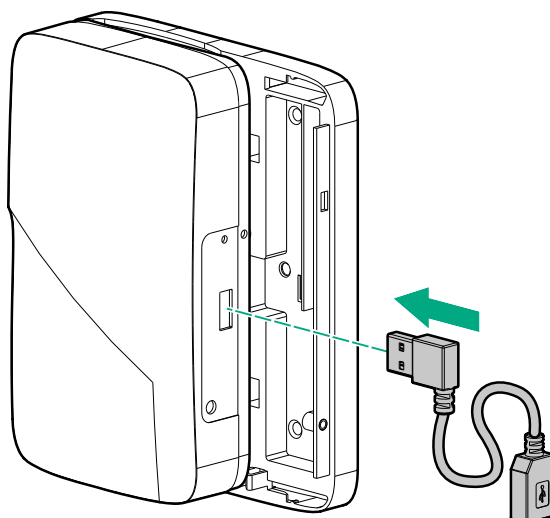
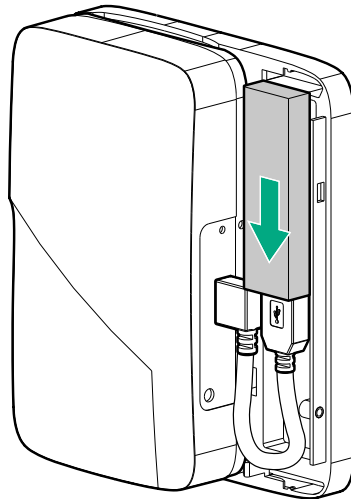


Figure 5 *Plug in USB Extension Cable.*



9. Reroute the USB extension cable upward and plug the open end into the USB module (see [Figure 6](#)).

Figure 6 Reroute USB Extension Cable and Plug Into USB Module



10. If the access point requires a DC power adapter, insert a power cable into the socket located on the side of the access point.

11. Place cover on the assemble and screw in the security screw (see [Figure 7](#) and [Figure 8](#)).

Figure 7 Attach Cover

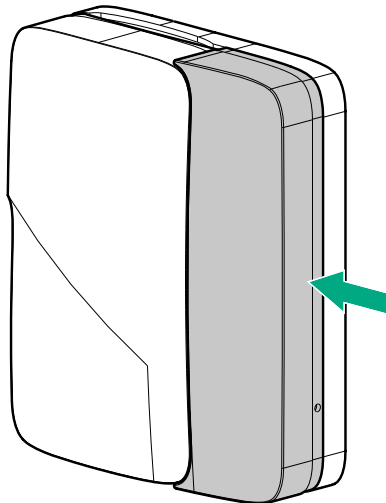


Figure 8 *Screw In Security Screw*

