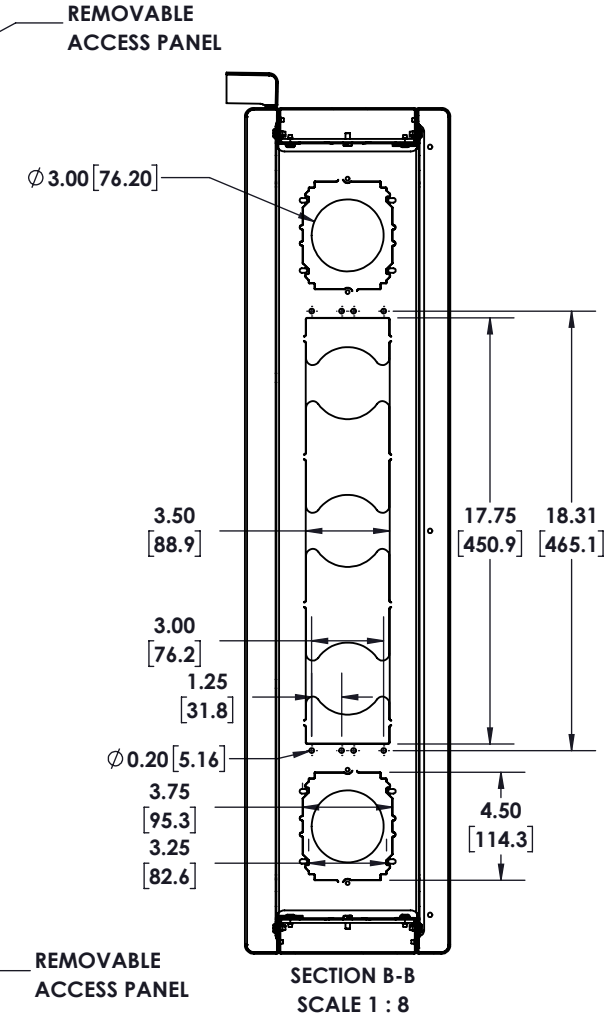
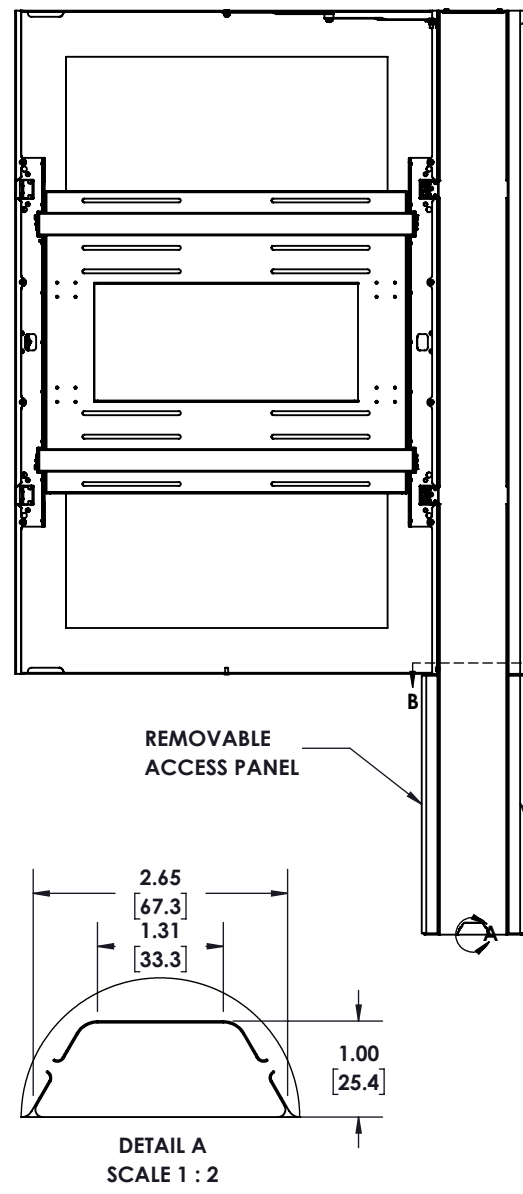
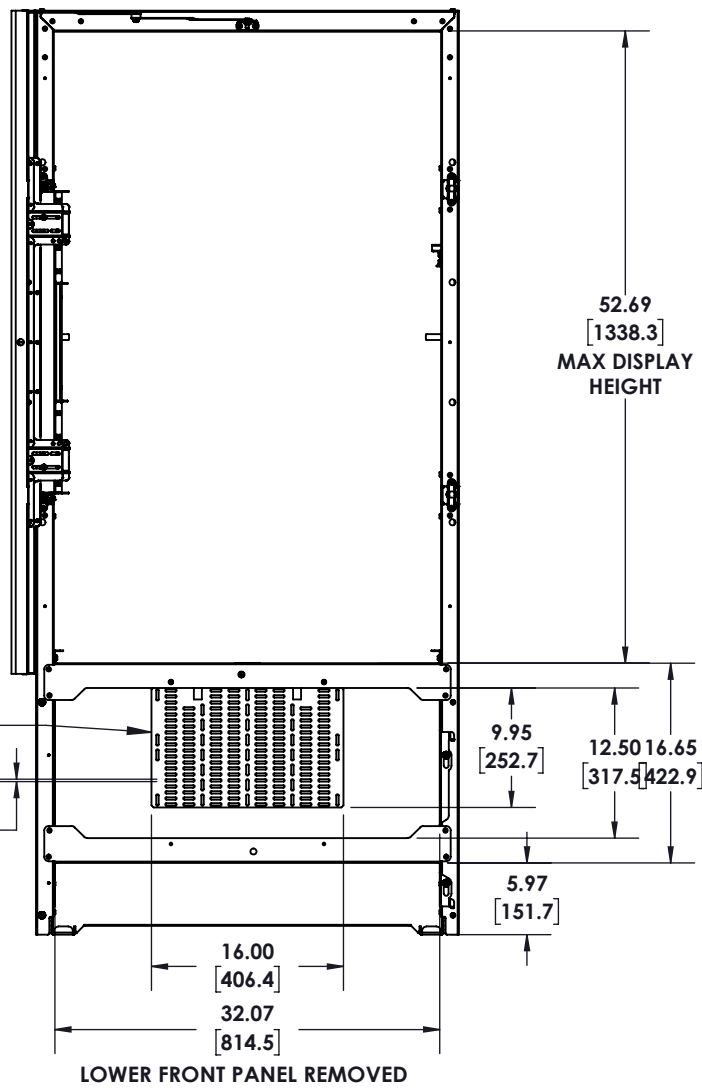
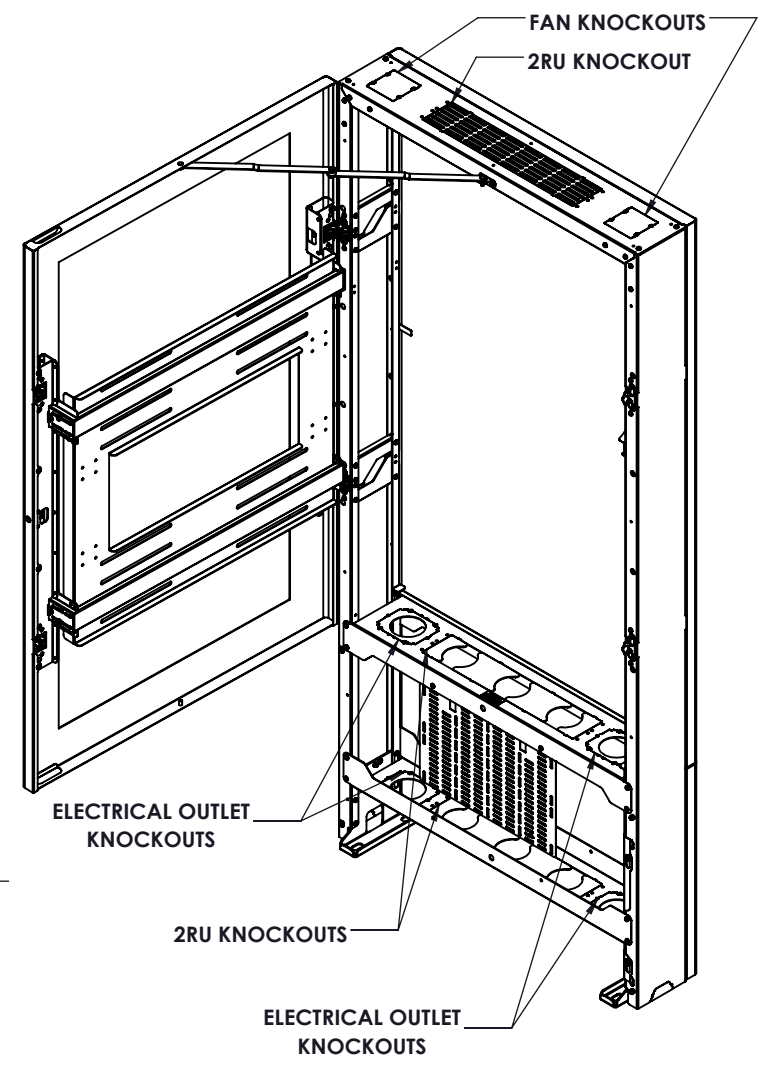
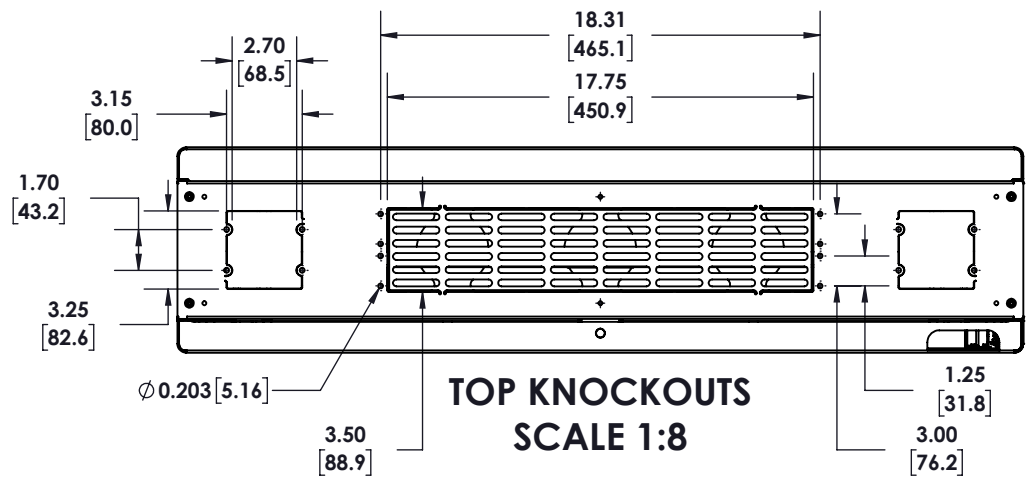
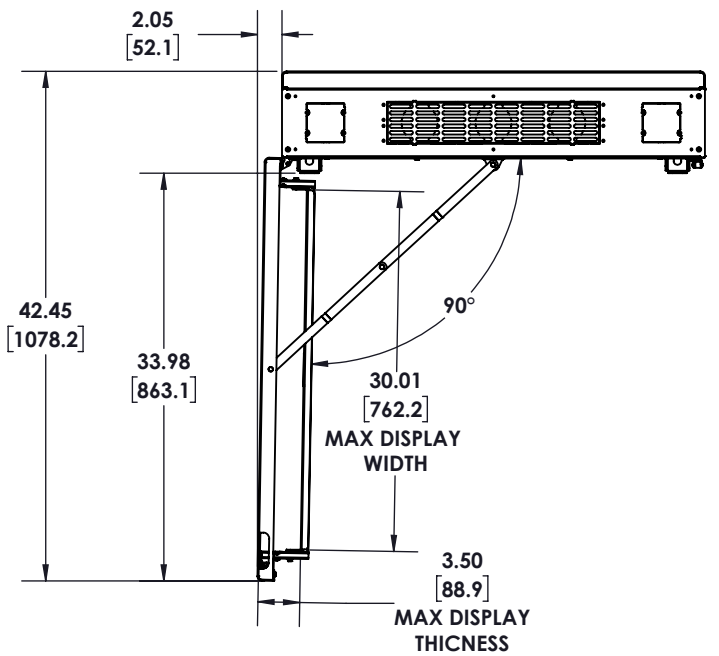


THE INFORMATION AND DESIGNS CONTAINED IN THIS DRAWING ARE CONFIDENTIAL AND THE PROPRIETARY PROPERTY OF MILESTONE AV TECHNOLOGIES NEITHER THIS DESIGN NOR ANY INFORMATION CONTAINED IN THIS DRAWING MAY BE REPRODUCED OR DISCLOSED TO OTHERS WITHOUT THE EXPRESS WRITTEN CONSENT OF MILESTONE AV TECHNOLOGIES.

CAD GENERATED DRAWING, DO NOT MANUALLY UPDATE.			6436 CITY WEST PKWY EDEN PRAIRIE MN, 55344 PHONE: 866-977-3901 FAX: 877-894-6918	
DRAWN BY	MJS	4/1/2019		
ENG APPROVAL			DESCRIPTION LF55UxP, 55" PORTRAIT FLOOR KIOSK	
MFG APPROVAL			MODEL NO. LF55UxP	
QA APPROVAL			SCALE 1:14	SIZE B
SHEET 1 OF 2			DWG. NO. TECH-000984	REV. 00



THE INFORMATION AND DESIGNS CONTAINED IN THIS DRAWING ARE CONFIDENTIAL AND THE PROPRIETARY PROPERTY OF MILESTONE AV TECHNOLOGIES NEITHER THIS DESIGN NOR ANY INFORMATION CONTAINED IN THIS DRAWING MAY BE REPRODUCED OR DISCLOSED TO OTHERS WITHOUT THE EXPRESS WRITTEN CONSENT OF MILESTONE AV TECHNOLOGIES.

CAD GENERATED DRAWING, DO NOT MANUALLY UPDATE.		<b>CHIEF</b> 6436 CITY WEST PKWY EDEN PRAIRIE MN, 55344 PHONE: 866-977-3901 FAX: 877-894-6918
DRAWN BY	MJS 4/1/2019	
ENG APPROVAL		DESCRIPTION LF55UxP, 55" PORTRAIT FLOOR KIOSK
MFG APPROVAL		MODEL NO. LF55UxP
QA APPROVAL		SCALE 1:16 SIZE B DWG. NO. TECH-000984 REV. 00
SHEET 2 OF 2		