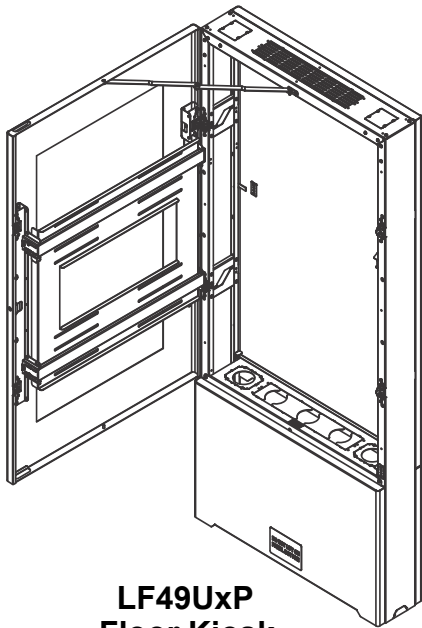
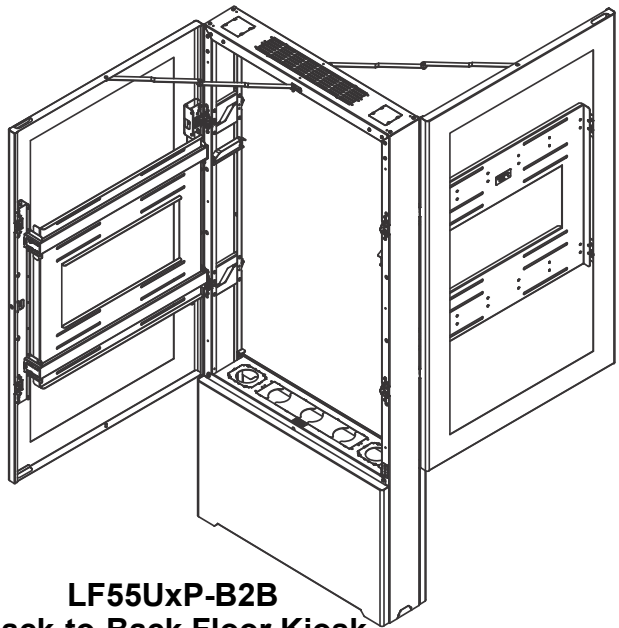

INSTALLATION INSTRUCTIONS



LF49UxP
Floor Kiosk



LF55UxP-B2B
Back-to-Back Floor Kiosk

**49"/50"/55" Portrait Floor Kiosks,
49"/50"/55" Portrait Back-to-Back Floor Kiosks**

DISCLAIMER

Legrand | AV and its affiliated corporations and subsidiaries (collectively "Legrand | AV"), intend to make this manual accurate and complete. However, Legrand | AV makes no claim that the information contained herein covers all details, conditions or variations, nor does it provide for every possible contingency in connection with the installation or use of this product. The information contained in this document is subject to change without notice or obligation of any kind. Legrand | AV makes no representation of warranty, expressed or implied, regarding the information contained herein. Legrand | AV assumes no responsibility for accuracy, completeness or sufficiency of the information contained in this document.

Chief® is a registered trademark of Legrand AV Inc.

DEFINITIONS

MOUNTING SYSTEM: A MOUNTING SYSTEM is the primary Chief product to which an accessory and/or component is attached.

ACCESSORY: AN ACCESSORY is the secondary Chief product which is attached to a primary Chief product, and may have a component attached or setting on it.

COMPONENT: A COMPONENT is an audiovisual item designed to be attached or resting on an accessory or mounting system such as a video camera, CPU, screen, display, projector, etc.



WARNING: A WARNING alerts you to the possibility of serious injury or death if you do not follow the instructions.



CAUTION: A CAUTION alerts you to the possibility of damage or destruction of equipment if you do not follow the corresponding instructions.



IMPORTANT SAFETY INSTRUCTIONS



WARNING: Failure to read, thoroughly understand, and follow all instructions can result in serious personal injury, damage to equipment, or voiding of factory warranty! It is the installer's responsibility to make sure all mounting systems are properly assembled and installed using the instructions provided.



WARNING: Failure to provide adequate structural strength for this mounting system can result in serious personal injury or damage to equipment! It is the installer's responsibility to make sure the structure to which this mounting system is attached can support five times the combined weight of all equipment. Reinforce the structure as required before installing the mounting system.



WARNING: Do NOT install floor kiosks and back-to-back floor kiosks to any surface other than concrete! Concrete flooring must be at least 4" in thickness and NOT be covered with any other type of flooring material. Concrete anchors must be installed directly into concrete surface.



WARNING: Exceeding the weight capacity can result in serious personal injury or damage to equipment! It is the installer's responsibility to make sure the weight of components attached to swing door(s) does not exceed:

- **LF49/50/55UxP Models:** 125 lbs (56.7 kg)
Removable storage panel capacity: 25 lbs (11.3 kg);
- **LF49/50/55UxP-B2B Models:** 125 lbs (56.7 kg) **per screen**
Removable storage panel capacity: 25 lbs (11.3 kg).

The hinge-open position is for installation and service only.



WARNING: Use this mounting system only for its intended use as described in these instructions. Do not use attachments not recommended by the manufacturer.



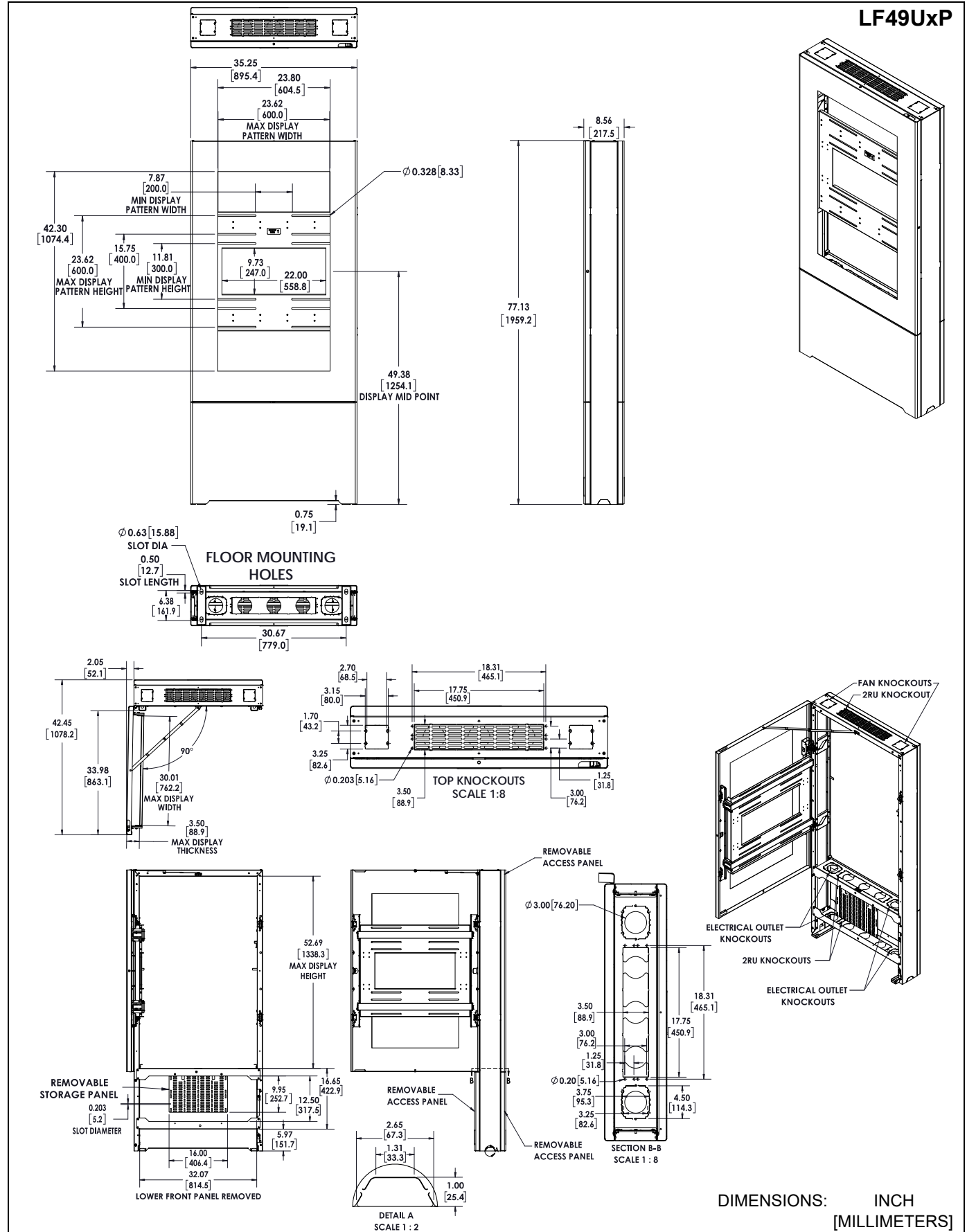
WARNING: Never operate this mounting system if it is damaged. Return the mounting system to a service center for examination and repair.



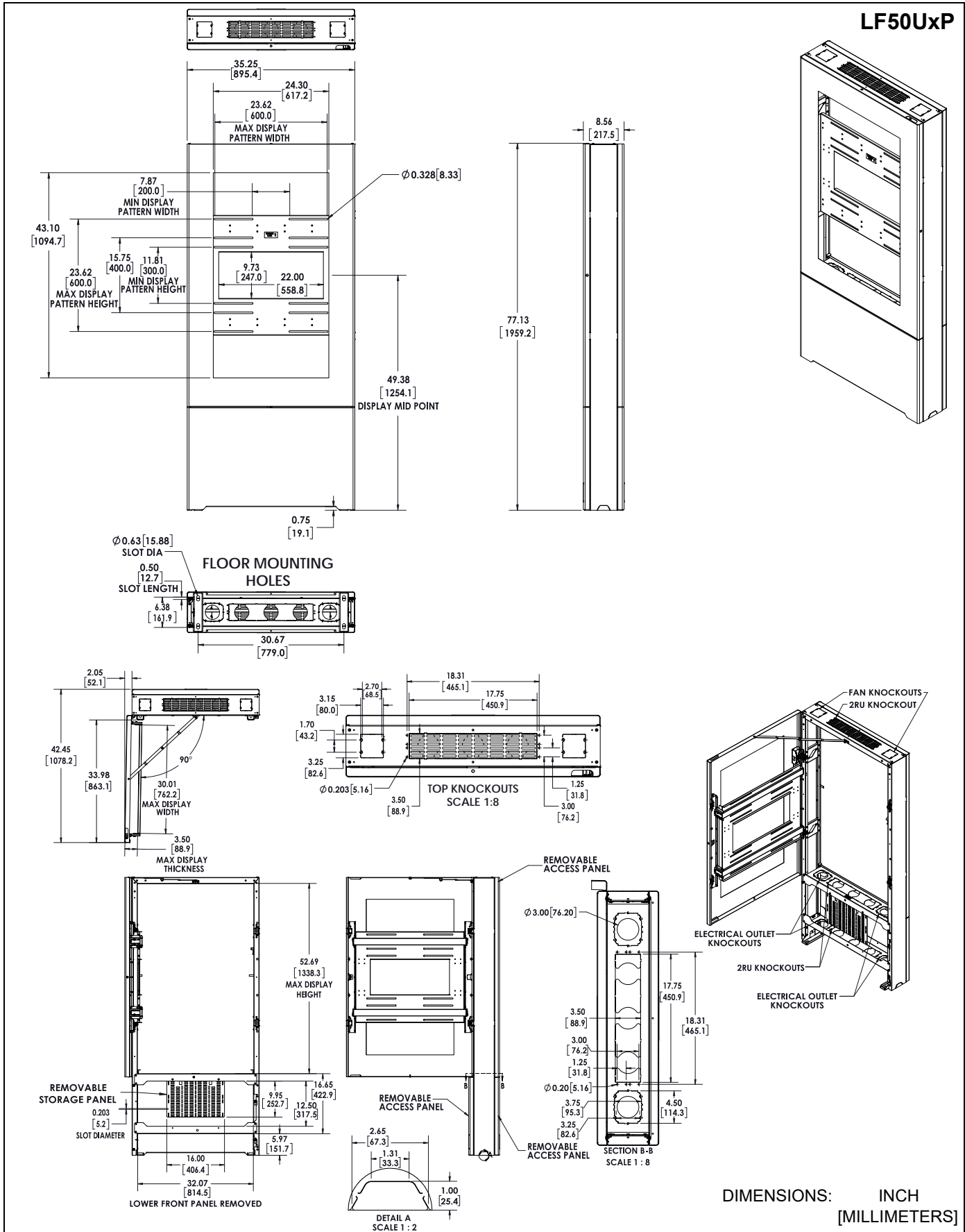
WARNING: Do not use this mounting system outdoors.

--SAVE THESE INSTRUCTIONS--

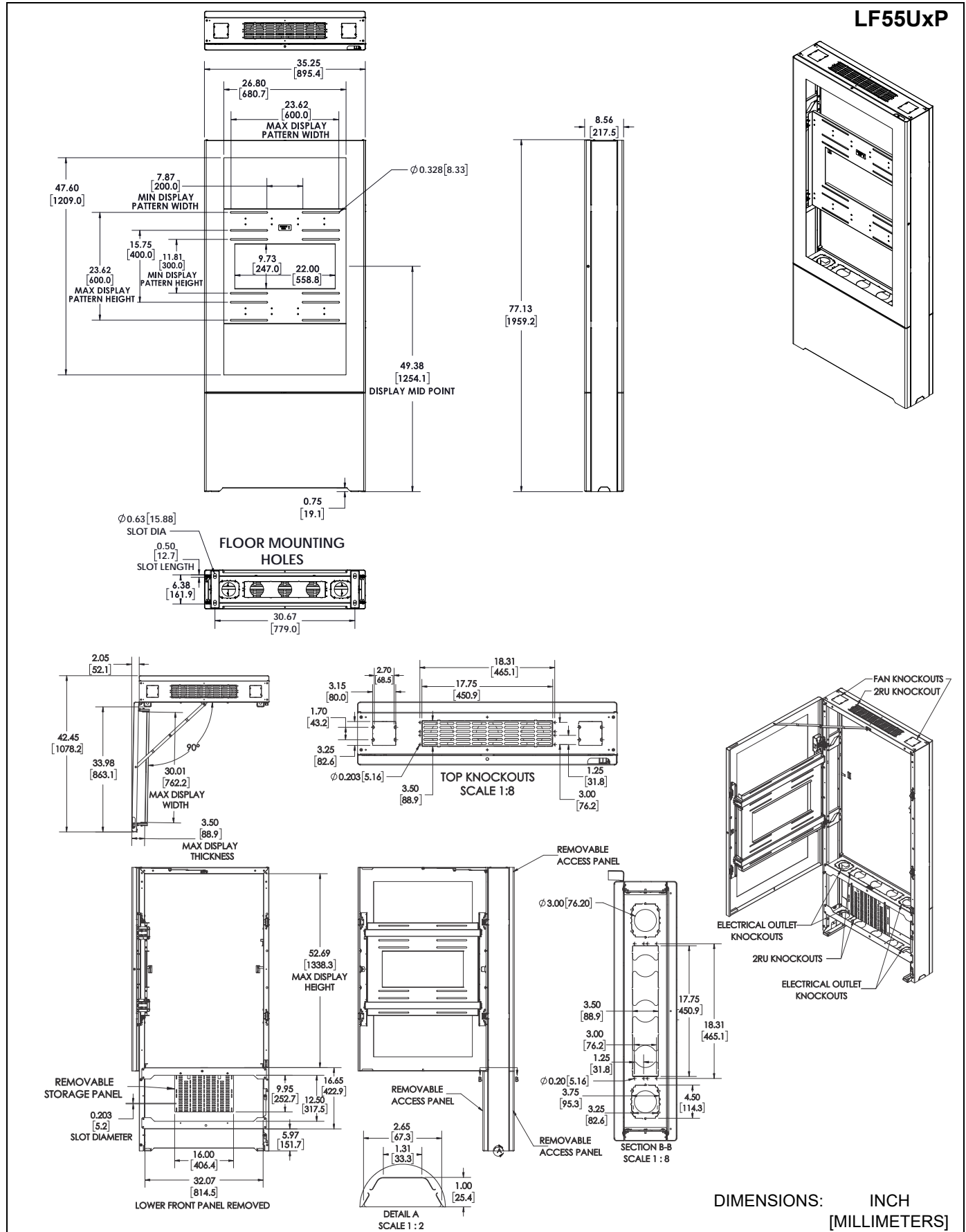
DIMENSIONS



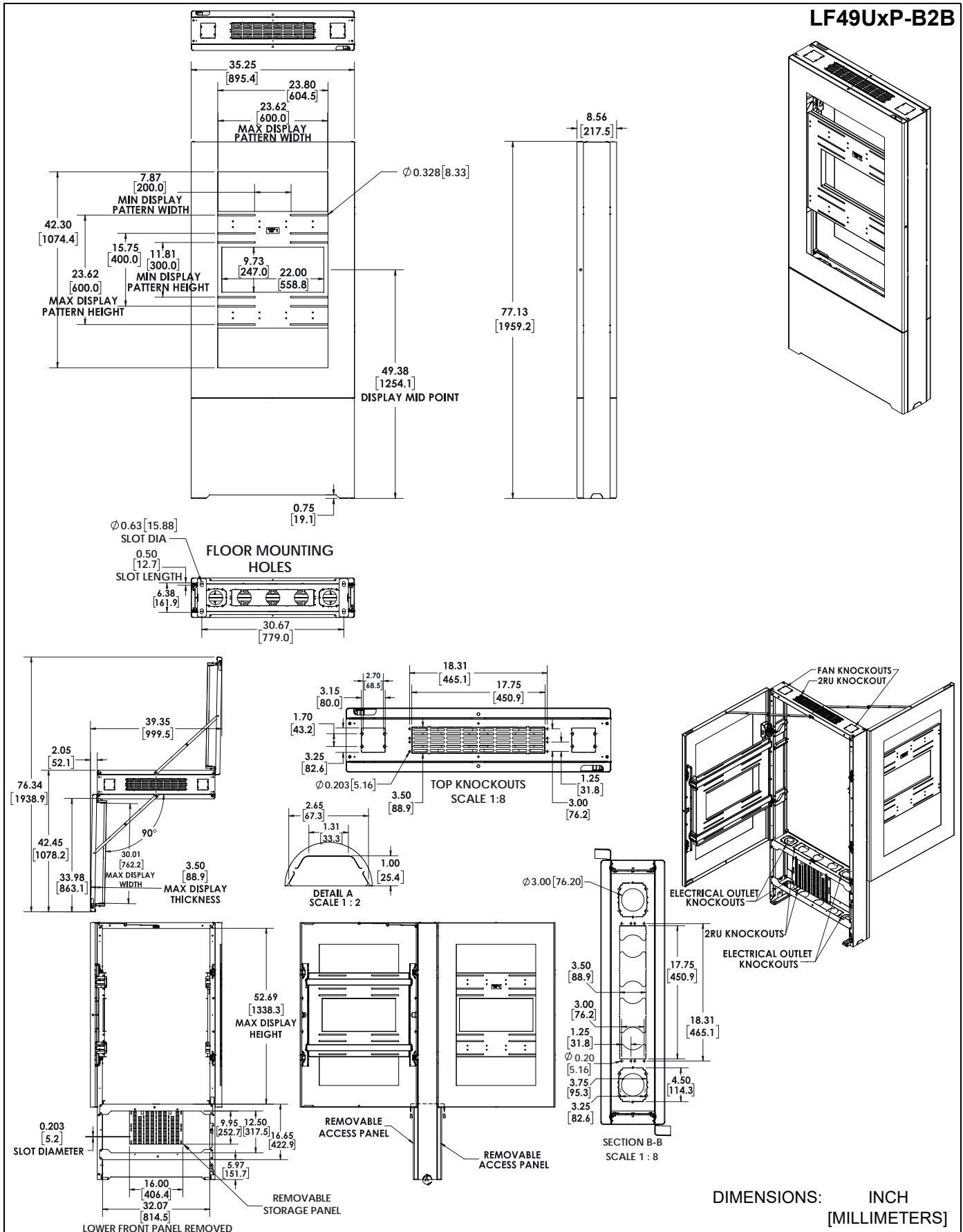
DIMENSIONS...cont'd



DIMENSIONS...cont'd

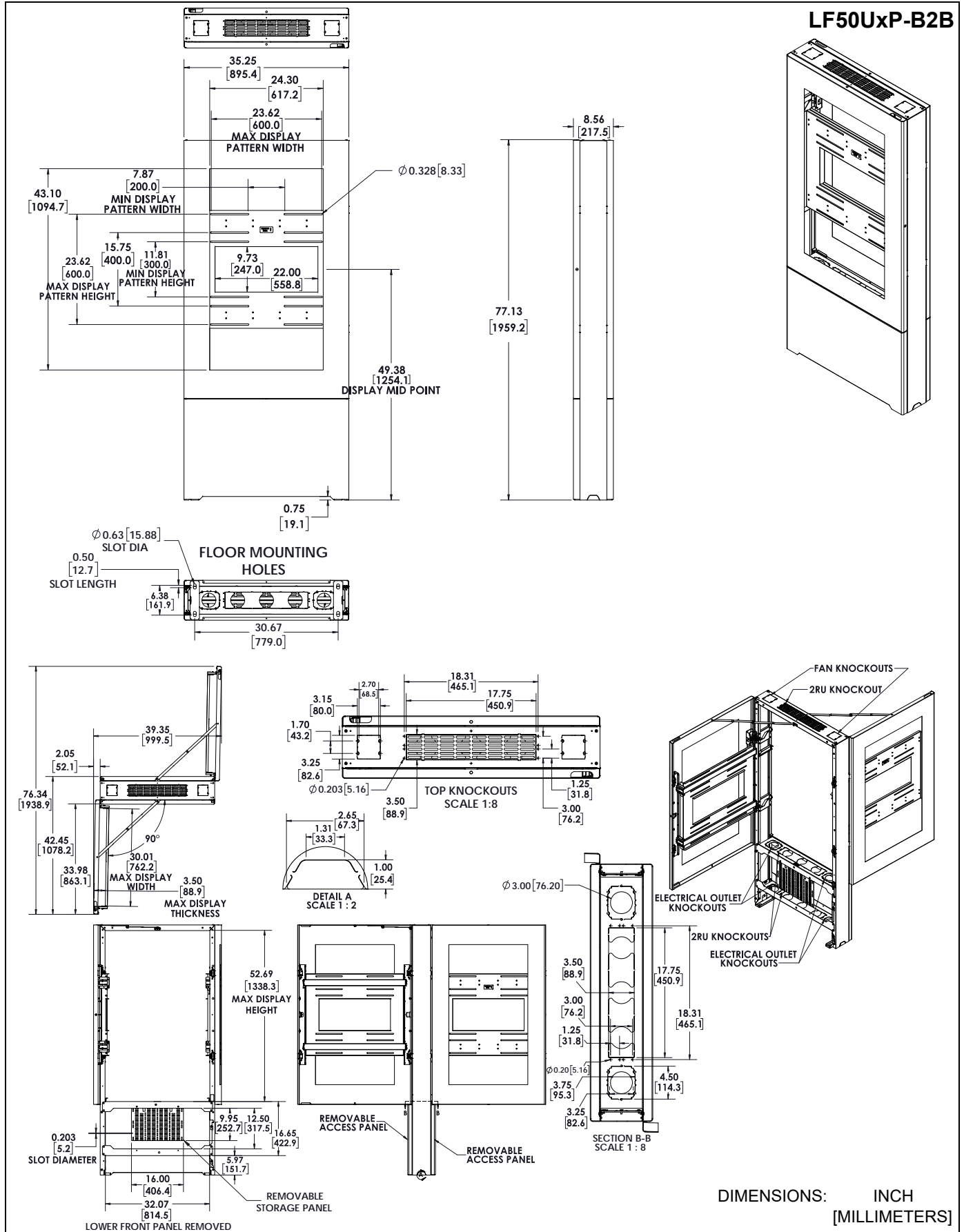


DIMENSIONS...cont'd



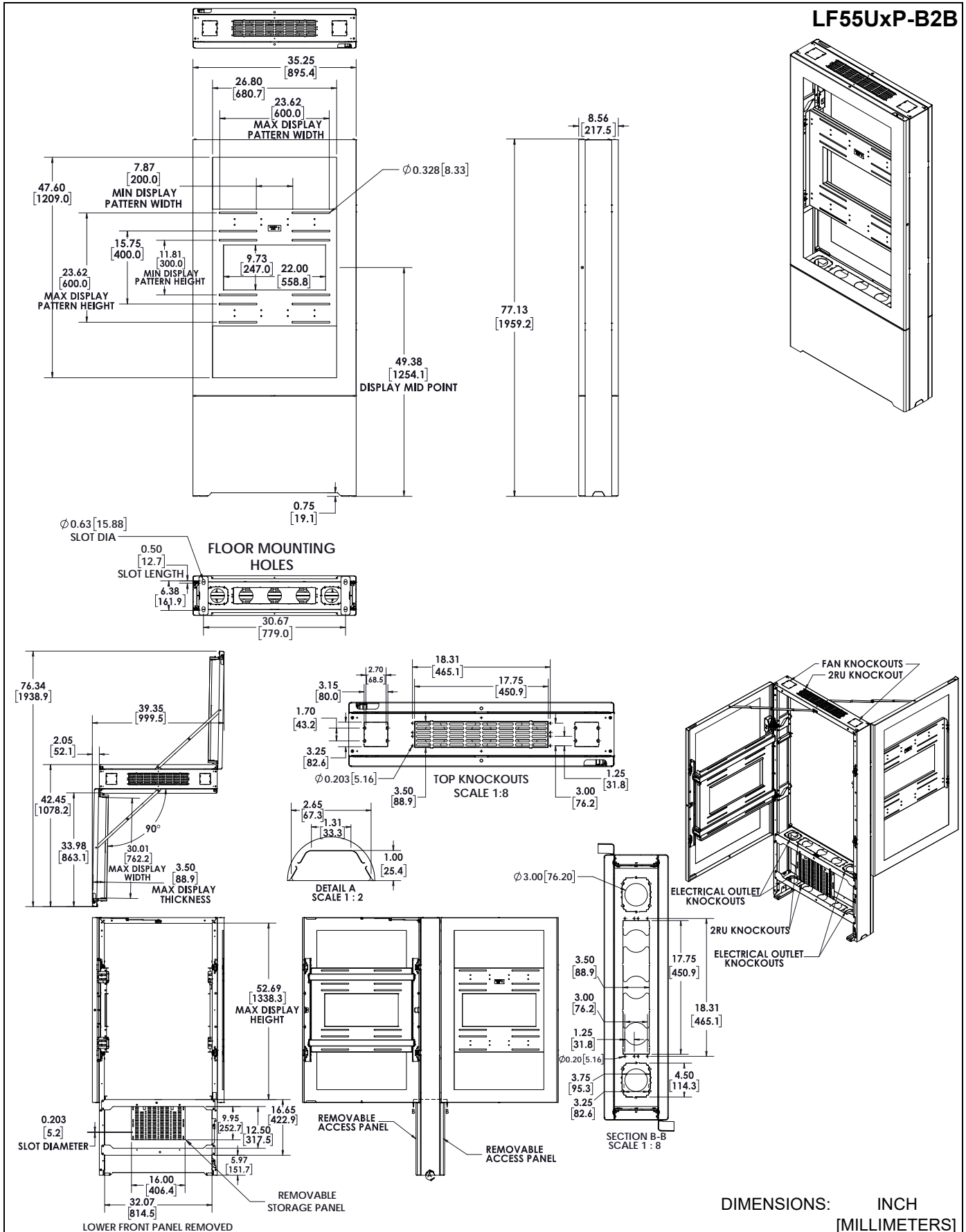
DIMENSIONS...cont'd

LF50UxP-B2B

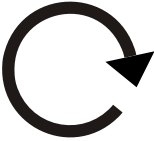

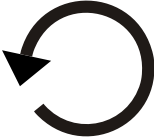











DIMENSIONS: INCH [MILLIMETERS]

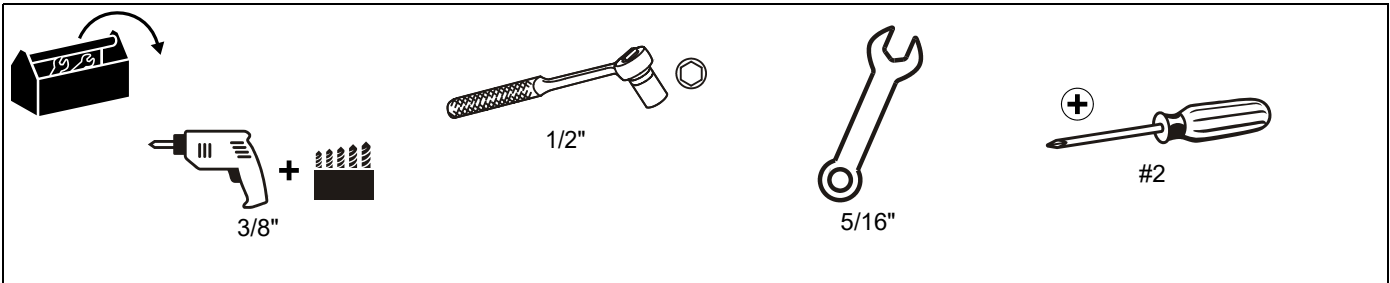
DIMENSIONS...cont'd



LEGEND

	<p>Tighten Fastener</p> <p>Apretar elemento de fijación</p> <p>Befestigungsteil festziehen</p> <p>Apertar fixador</p> <p>Serrare il fissaggio</p> <p>Bevestiging vastdraaien</p> <p>Serrez les fixations</p>		<p>Pencil Mark</p> <p>Marcar con lápiz</p> <p>Stiftmarkierung</p> <p>Marcar com lápis</p> <p>Segno a matita</p> <p>Potloodmerkten</p> <p>Marquage au crayon</p>
	<p>Loosen Fastener</p> <p>Aflojar elemento de fijación</p> <p>Befestigungsteil lösen</p> <p>Desapertar fixador</p> <p>Allentare il fissaggio</p> <p>Bevestiging losdraaien</p> <p>Desserrez les fixations</p>		<p>Drill Hole</p> <p>Perforar</p> <p>Bohrloch</p> <p>Fazer furo</p> <p>Praticare un foro</p> <p>Gat boren</p> <p>Percez un trou</p>
	<p>Phillips Screwdriver</p> <p>Destornillador Phillips</p> <p>Kreuzschlitzschraubendreher</p> <p>Chave de fendas Phillips</p> <p>Cacciavite a stella</p> <p>Kruiskopschroevendraaier</p> <p>Tournevis à pointe cruciforme</p>		<p>Adjust</p> <p>Ajustar</p> <p>Einstellen</p> <p>Ajustar</p> <p>Regolare</p> <p>Afstellen</p> <p>Ajuster</p>
	<p>Open-Ended Wrench</p> <p>Llave de boca</p> <p>Gabelschlüssel</p> <p>Chave de bocas</p> <p>Chiave a punte aperte</p> <p>Steeksleutel</p> <p>Clé à fourche</p>		<p>Remove</p> <p>Quitar</p> <p>Entfernen</p> <p>Remover</p> <p>Rimuovere</p> <p>Verwijderen</p> <p>Retirez</p>
	<p>By Hand</p> <p>A mano</p> <p>Von Hand</p> <p>Com a mão</p> <p>A mano</p> <p>Met de hand</p> <p>À la main</p>		<p>Optional</p> <p>Opcional</p> <p>Optional</p> <p>Opcional</p> <p>Opzionale</p> <p>Optie</p> <p>En option</p>
	<p>Hex-Head Wrench</p> <p>Llave de cabeza hexagonal</p> <p>Sechskantschlüssel</p> <p>Chave de cabeça sextavada</p> <p>Chiave esagonale</p> <p>Zeskantsleutel</p> <p>Clé à tête hexagonale</p>		<p>Security Wrench</p> <p>Llave de seguridad</p> <p>Sicherheitsschlüssel</p> <p>Chave de segurança</p> <p>Chiave di sicurezza</p> <p>Veiligheidsleutel</p> <p>Clé de sécurité</p>

TOOLS REQUIRED FOR INSTALLATION



PARTS

***Quantities are listed as (LFxxUxP / LFxxUxP-B2B)**

A (1)
LFxxUxP
[LF49UxP shown as example]

OR

A (1)
LFxxUxP-B2B
[LF49UxP-B2B shown as example]

Monitor Interface Hardware Bag
NOTE: Letters match markings on hardware bags

BA (4/8) M4 x 12mm	BB (4/8) M4 x 25mm	BC (4/8) M4 x 50mm
BD (4/8) M5 x 12mm	BE (4/8) M5 x 25mm	BF (4/8) M5 x 50mm
BG (4/8) M6 x 12mm	BH (4/8) M6 x 25mm	BI (4/8) M6 x 50mm
BJ (4/8) M8 x 12mm	BK (4/8) M8 x 25mm	BL (4/8) M8 x 50mm
BM (8/16) .750x.344x.500"	BN (8/16) .750x.323x.250"	BO (4/8) [universal washer]

C (1)
[Storage panel]

D (2/4 rolls)
Gasket strip,
1/2" wide

E (4/4)
3/8" x 3"

F (2/2)
10-24 x 3/16"

G (3/6)
[Cable tie mount]

H (6/12)
[Cable tie, 7-1/2"]

ASSEMBLY AND INSTALLATION

Remove Kiosk from Packaging

NOTE: These instructions apply to both the LF49/50/55UxP (one-sided display) and LF49/50/55UxP-B2B models (two-sided display), unless otherwise noted. If installing a -B2B, simply repeat the installation steps on both sides of the kiosk, unless otherwise noted.

NOTE: The packaging film on the kiosk should remain in place as long as possible during the kiosk installation to avoid scratching the kiosk. Remove packaging film after installation is complete.

1. Remove key from display frame. (See Figure 1)
2. Use the key to unlock and open the swing door. (See Figure 1)
3. Lift up the lower panel latch to release lower panel. Lift up opposite lower panel latch to release the opposite lower panel. (See Figure 2)
4. Remove both lower panels by pulling out 1" - 2" on the **latch side** of each lower panel. (See Figure 2)
5. Slide each panel to the non-latch side to remove lower panels. (See Figure 2)
6. **(One-sided display only)** Raise the flag lock on the inside of each side of the rear panel. (See Figure 2)

7. **(One-sided display only)** Grasp and "squeeze" the sides of the rear panel from behind the kiosk.
8. **(One-sided display only)** Lift to remove the rear panel from the kiosk. (See Figure 2)

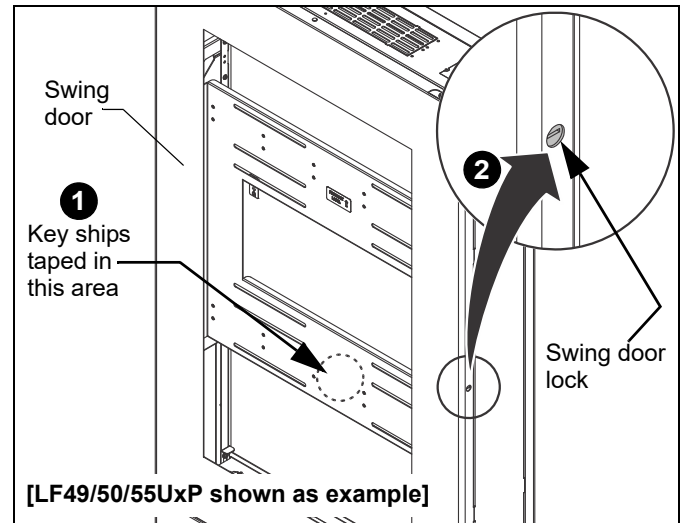


Figure 1

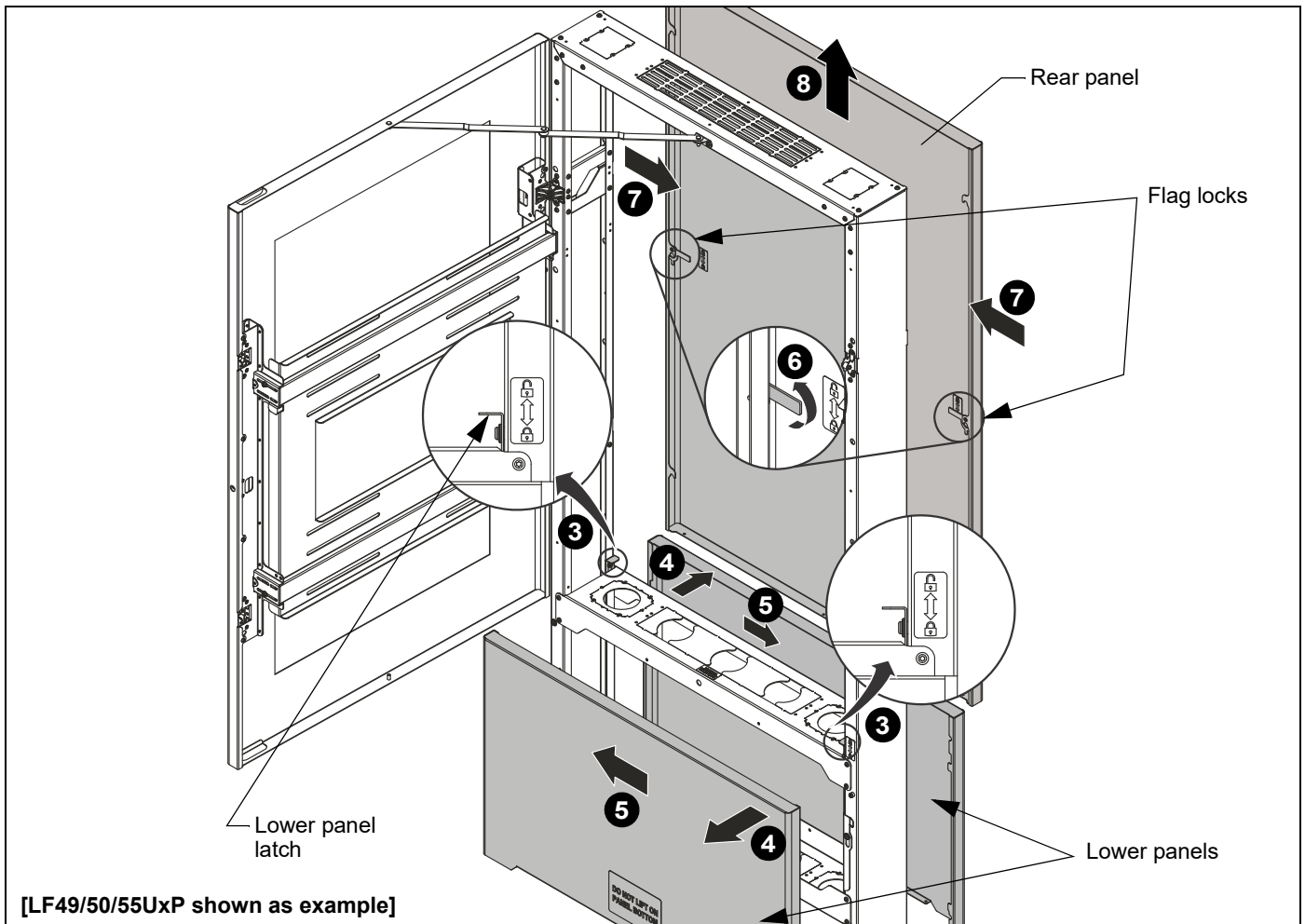


Figure 2

WARNING: TIPPING HAZARD! Close and lock door(s) before removing the hex head bolts from the pallet. (See Figure 3) **Keep door(s) closed and locked** until the kiosk is fully secured to the floor. Kiosk may tip if door(s) are open when kiosk is not securely fastened to pallet or to floor.

- Remove and discard the four hex head bolts and washers connecting the kiosk to the pallet, and lift kiosk off wood pallet. (See Figure 3)

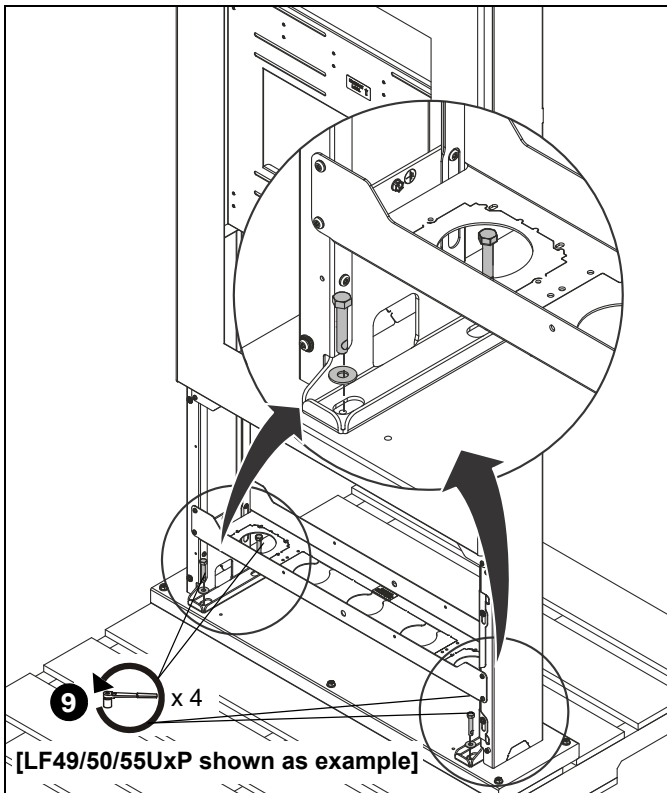


Figure 3

Bolt Kiosk to Floor

WARNING: Do NOT install floor kiosks and back-to-back floor kiosks to any surface other than concrete! Concrete flooring must be at least 4" in thickness and NOT be covered with any other type of flooring material. Concrete anchors must be installed directly into concrete surface.

- Using kiosk (A) as a template, mark center of four mounting holes (the holes where kiosk was attached to pallet) and move kiosk to allow access to drill holes. (See Figure 4)
- Using a 3/8" drill bit, drill a hole 3-1/2" in depth at each marked location. (See Figure 4) and (See Figure 5)
- Blow each hole clean of any concrete debris with an air hose or compressed air in a can. (See Figure 5)

IMPORTANT ! : Do NOT modify the anchors or advance the bolt in the anchors prior to installation!

- Place kiosk (A) on top of drilled holes making sure that drilled holes are centered within the mounting holes in kiosk.

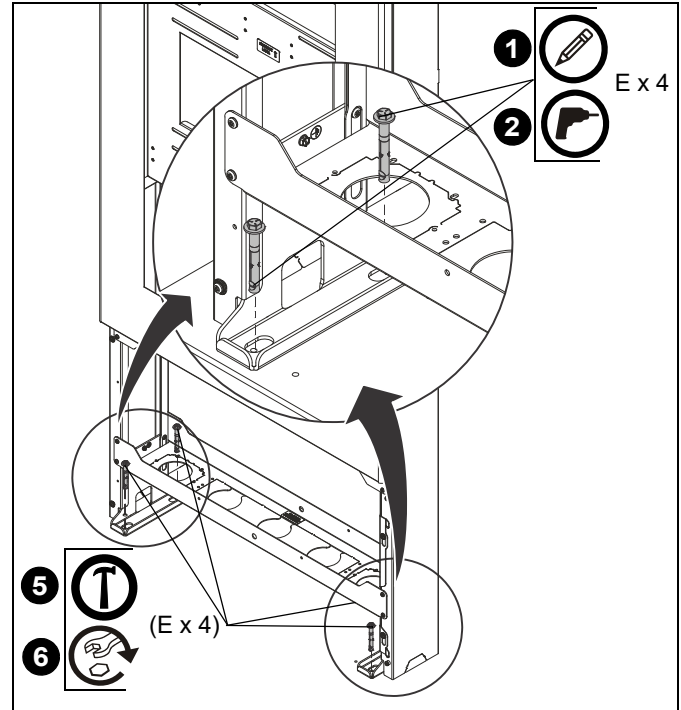


Figure 4

- Use a hammer to drive anchors (E) through kiosk mounting holes into the drilled holes until the bolt head is firmly seated against the kiosk. (See Figure 4) and (See Figure 5)
- Tighten each anchor by turning the head three to four turns past finger tight. (See Figure 5)

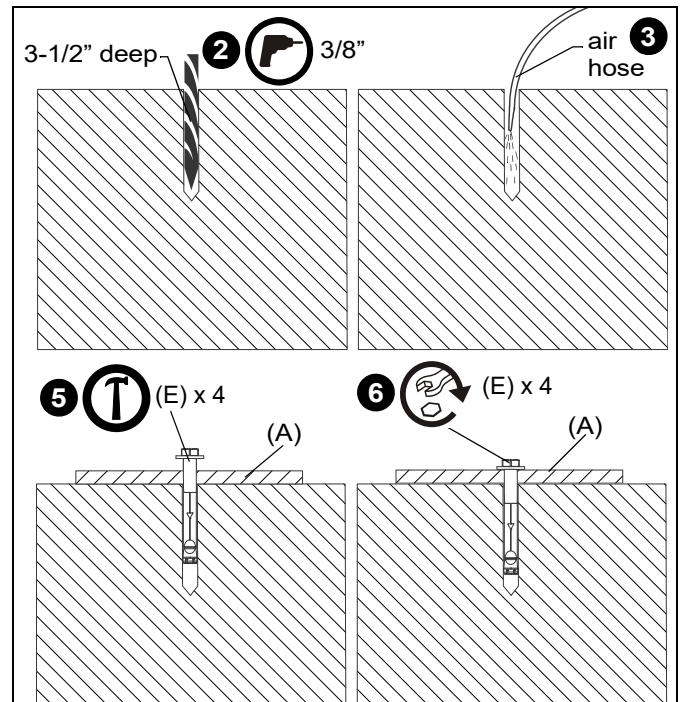


Figure 5

- Repeat Steps 5 and 6 for each mounting hole.

Attaching Flat Panel

NOTE: Use the key to unlock and open the swing door.

1. Use a 5/16" open end wrench to remove display frame from kiosk swing door by removing and **SAVING** four hex head screws. (See Figure 6)

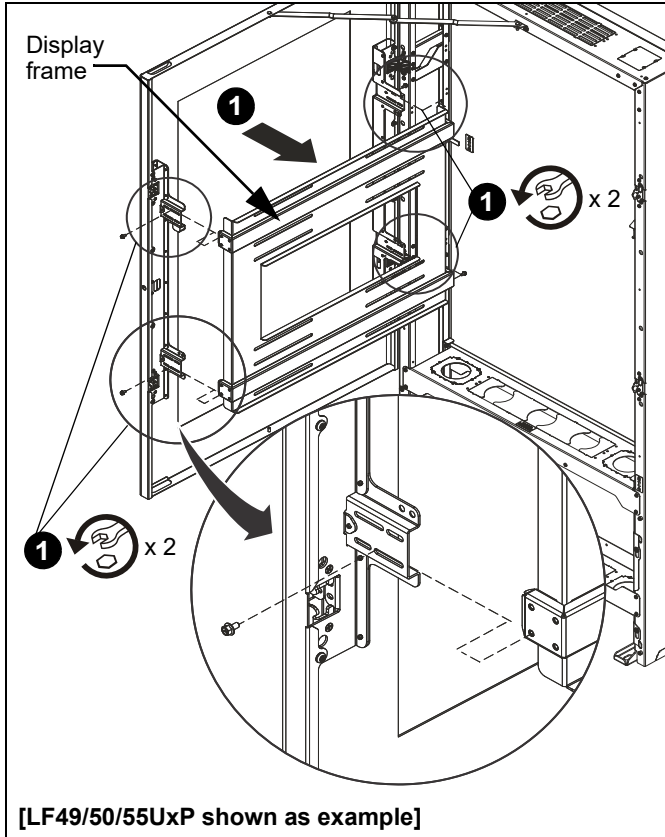


Figure 6

2. Clean the inside edge of the swing door (approximately one inch depth around entire opening) with an alcohol wipe or something similar, and let dry. (See Figure 7)
3. Install gasket strip (D) around inside edge of swing door opening. (See Figure 7)

NOTE: Do not install gasket strip right up to edge. The gasket strip should be placed approximately 1/16" away from opening.

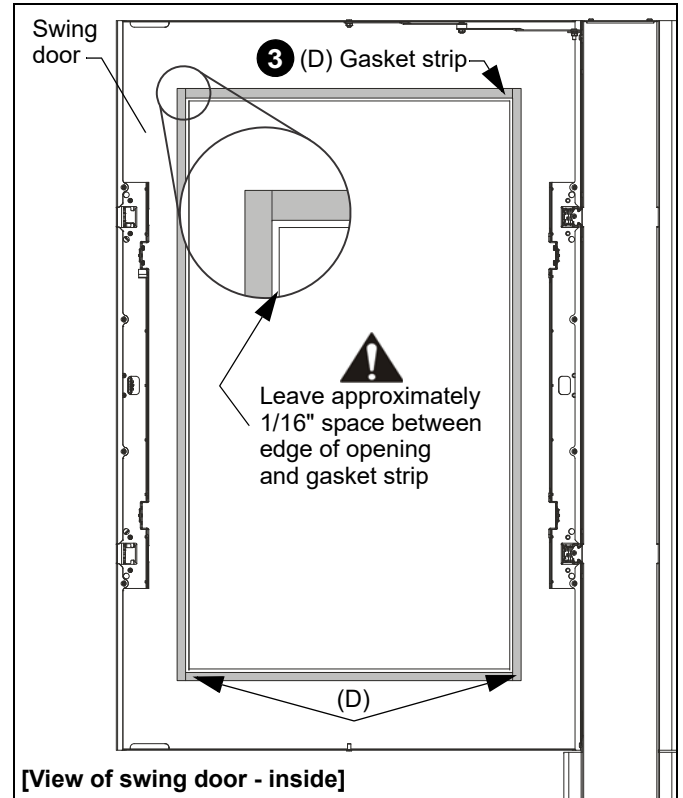


Figure 7

4. Carefully place flat panel face down on a soft, non-abrasive surface.



WARNING: IMPROPER INSTALLATION CAN LEAD TO DISPLAY FALLING CAUSING SERIOUS PERSONAL INJURY OR DAMAGE TO EQUIPMENT! Using screws of improper size may damage your display. Properly sized screws will easily and completely thread into display mounting holes. If spacers are required, be sure to use longer screws of the same diameter.

5. Select screw *diameter* by examining hardware (BA-BL) and comparing with mounting holes on flat panel.
6. Select spacers:
 - Spacers are **NOT** required if mounting holes are not recessed and display frame can lay flat against flat panel.
 - Spacers (BM, BN) **ARE** required if mounting holes are recessed, or if protrusions prevent display frame from laying flat.
 - Spacers may also be used between the display frame and flat panel to create more space for AV components, or to accommodate thinner flat panels.
7. Select screw *length*:
 - By hand, insert **SHORTEST** length screw of selected diameter (BA, BD, BG, or BJ) through universal washer (BO--if required), display frame, spacer (BM, BN--if required), into flat panel mounting hole. Do **NOT** thread screw into hole at this time.

IMPORTANT ! : The M8 screws do **NOT** require a washer. Use the universal washer (BO) **ONLY** with the M4, M5 or M6 screws.

- Proper screw length requires base of screw head to protrude above flat washer a *distance equal to or greater than the screw diameter*. If screw length is inadequate, select longer screw. Select *shortest* screw which will protrude the required distance.

NOTE: Measure display area offsets from edges of display, and use that information to assist in centering display area on the display frame.

- Place display frame onto back of flat panel and match the VESA pattern on flat panel to the display frame mounting slots. (See Figure 8)
- Use selected screws (BA-BL), washers (BO--if required), and spacers (BM, BN--if required), to connect display frame to back of flat panel. (See Figure 8)

NOTE: Before fully tightening screws use previously measured display offset information to center display area relative to display frame.

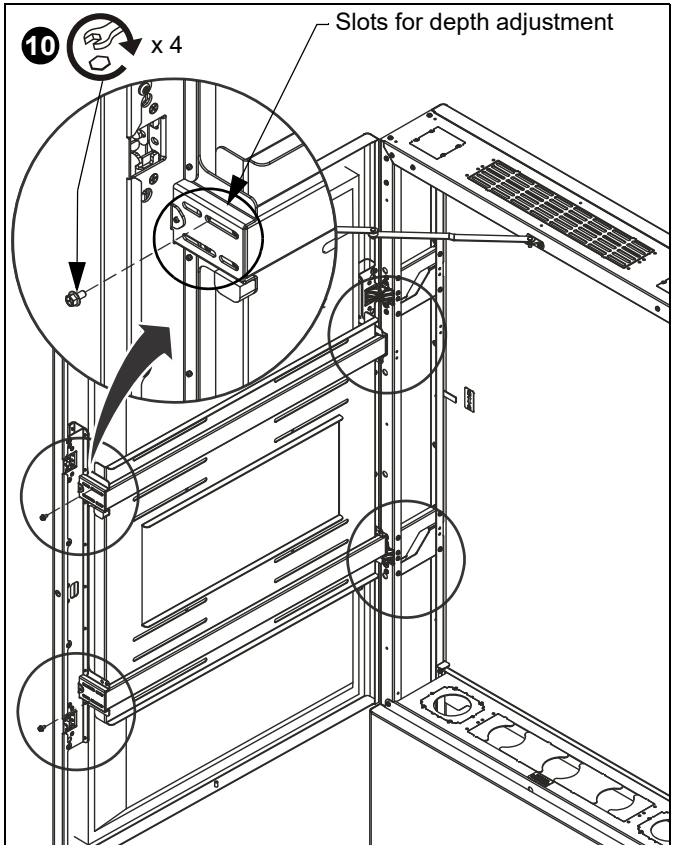


Figure 9

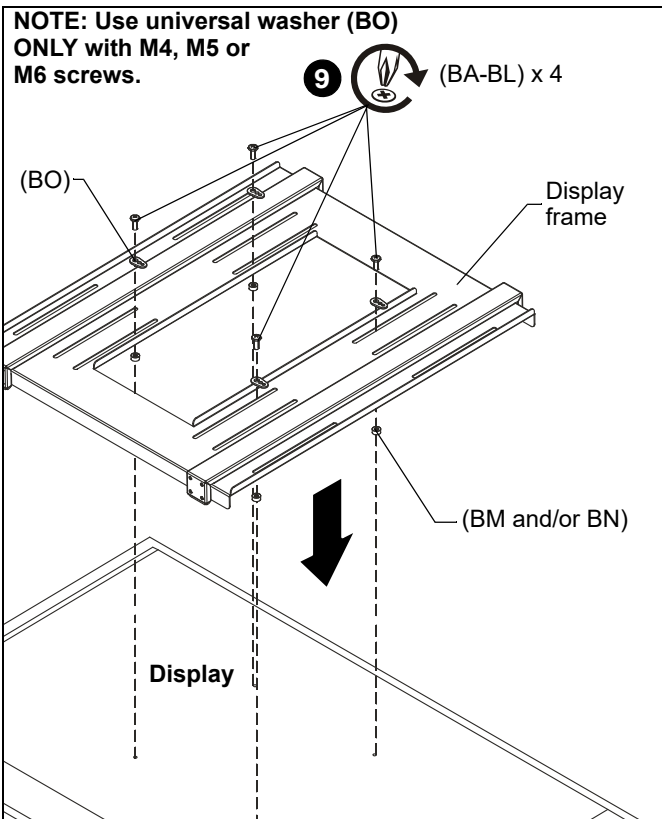


Figure 8

- Reattach the display frame to the kiosk using a 5/16" wrench and the four hex head screws removed in **Step 1**. (See Figure)

NOTE: The slots on the ends of the display frame allow adjustment, as needed, to accommodate the depth of the display.

Cabling

1. Cables may be placed through the corners of the display frame. (See Figure 10)
2. Attach cable tie mounts (G) as necessary to keep cables from being damaged in pinch points of the kiosk. (See Figure 10)

IMPORTANT ! : Avoid pinching the cables inside the kiosk. Damage to cables may occur.

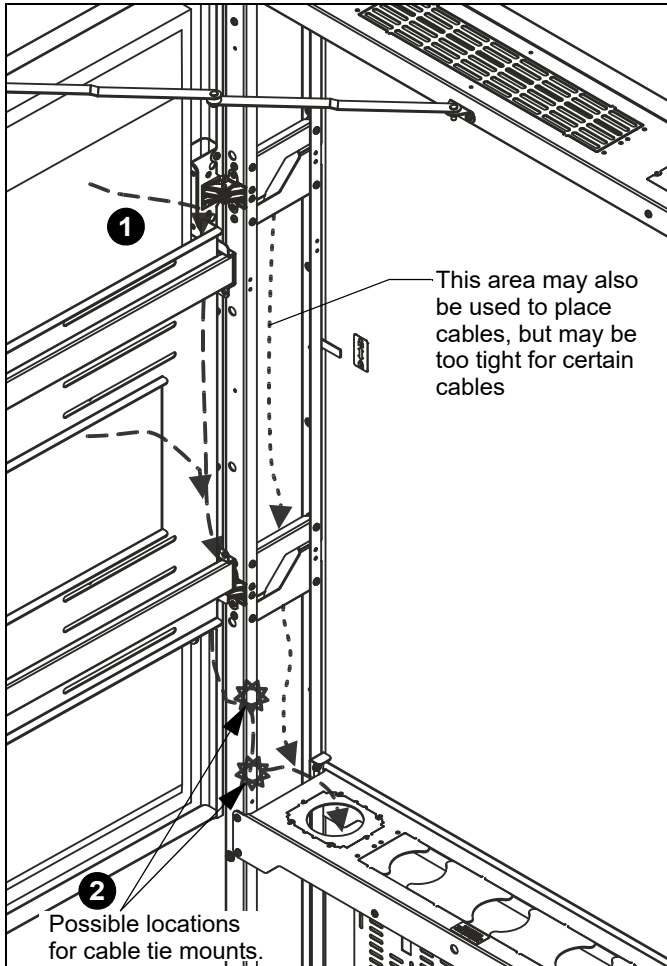


Figure 10

Storage Panel



WARNING: Exceeding the weight capacity can result in serious personal injury or damage to equipment! It is the installer's responsibility to make sure the weight of components attached to the storage panel does not exceed 25 lbs (11.3 kg).

1. Install AV component(s) to the storage panel (C) using the hardware and instructions included with the component(s). Either screws or cable ties may be used to fasten component(s) to the panel.
2. Place storage panel (C) inside the kiosk, lining up the holes in the storage panel with the holes in the lower part of the kiosk. (See Figure 11)
3. Hold storage panel (C) directly behind screw holes and fasten using two 10-24 x 3/16" Phillips screws (F). (See Figure 11)

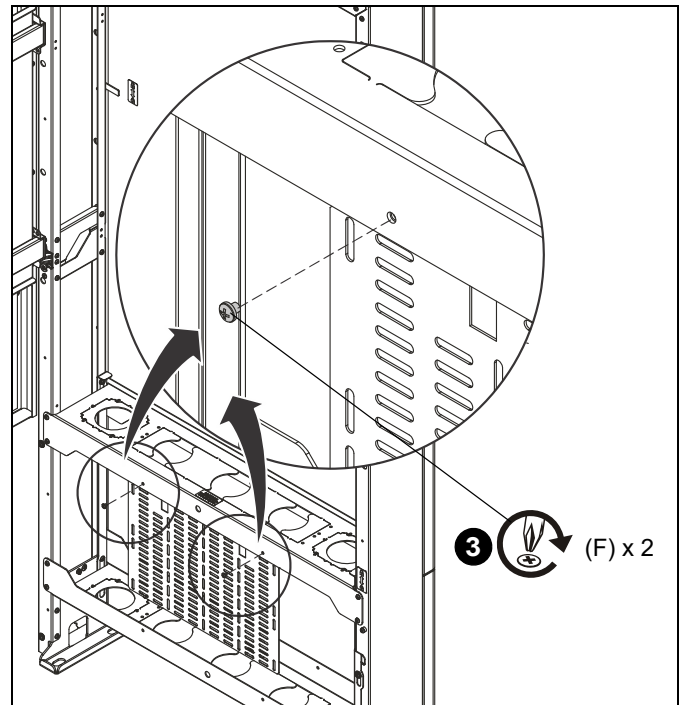


Figure 11

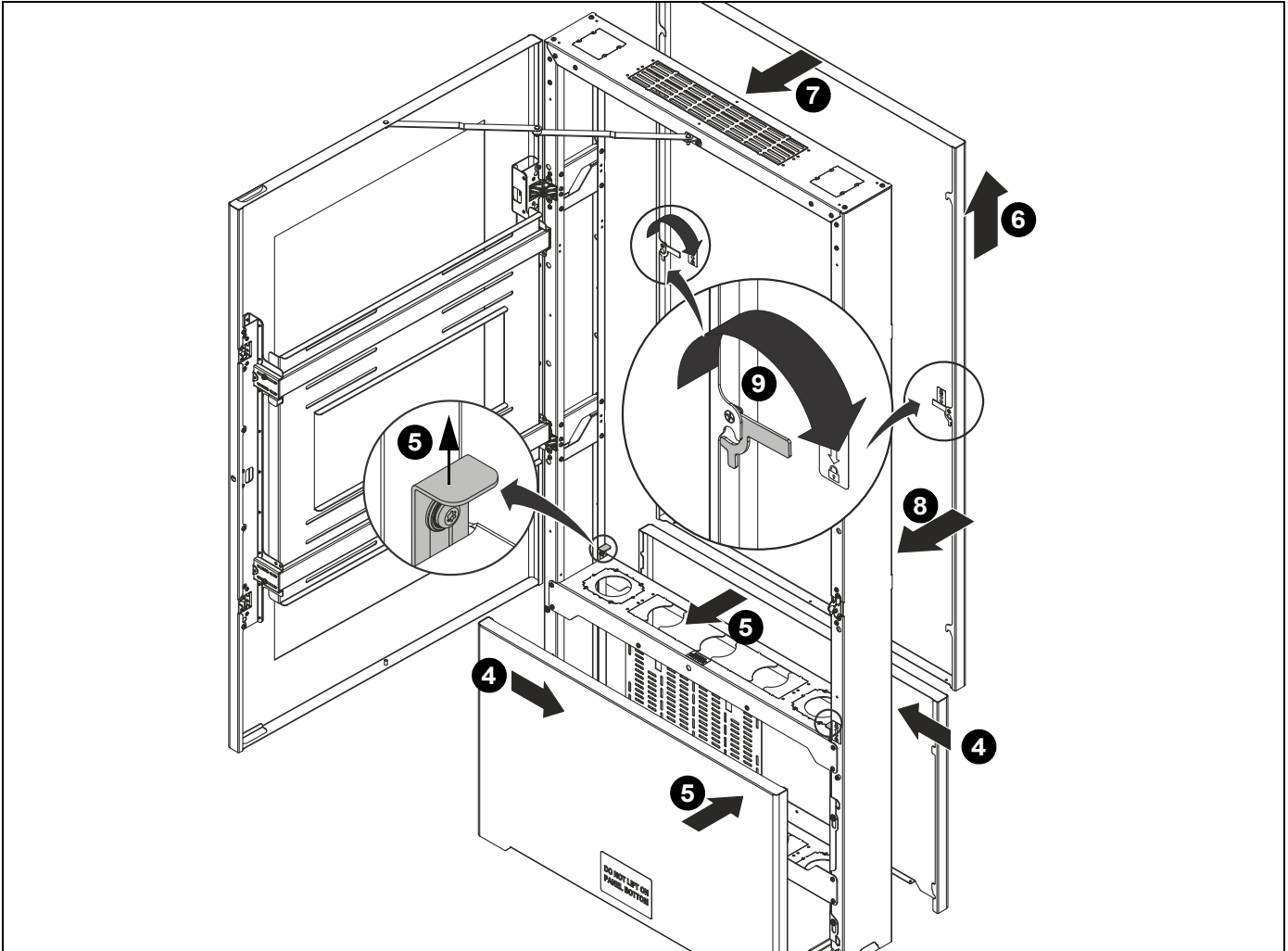


Figure 12

4. Return lower panel to kiosk by sliding it in from the left side of the kiosk. (See Figure 12)
5. Pull up lower panel latch inside kiosk and push in right side of lower panel to complete installation of panel. (See Figure 12)
6. **(One-sided display only)** Rest rear panel on top of lower panel and lift upward approximately 2 inches. (See Figure 12)
7. **(One-sided display only)** Press rear panel in at top.
8. **(One-sided display only)** Press lower part of rear panel into kiosk.
9. **(One-sided display only)** Lower the flag lock on the inside of each side of the rear panel.

NOTE: Kiosk will NOT shut if it is locked. Be sure to move lock to unlocked position before proceeding.

10. Push door bracket at top of kiosk to assist in closing kiosk door. (See Figure 13)
11. Complete closing the kiosk, and turn key to lock it.

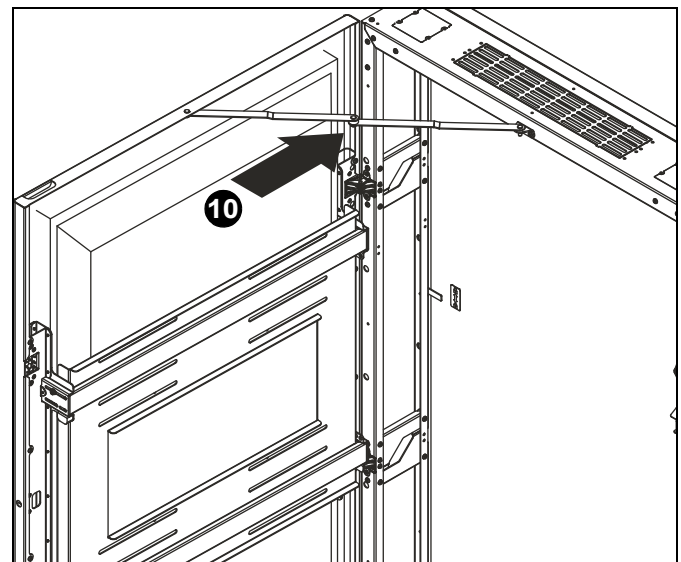


Figure 13



A brand of  **legrand**

8800-003146 Rev01
©2019 Legrand | AV
www.legrandav.com
10/19

USA/International	A 6436 City West Parkway, Eden Prairie, MN 55344
	P 800.582.6480 / 952.225.6000
	F 877.894.6918 / 952.894.6918
Europe	A Franklinstraat 14, 6003 DK Weert, Netherlands
	P +31 (0) 495 580 852
	F +31 (0) 495 580 845
Asia Pacific	A Office No. 918 on 9/F, Shatin Galleria 18-24 Shan Mei Street Fotan, Shatin, Hong Kong
	P 852 2145 4099
	F 852 2145 4477

