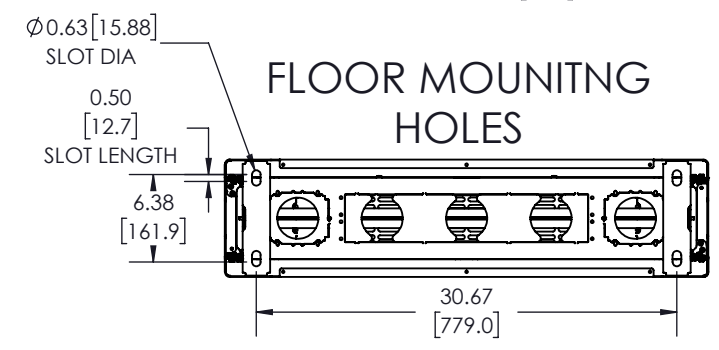
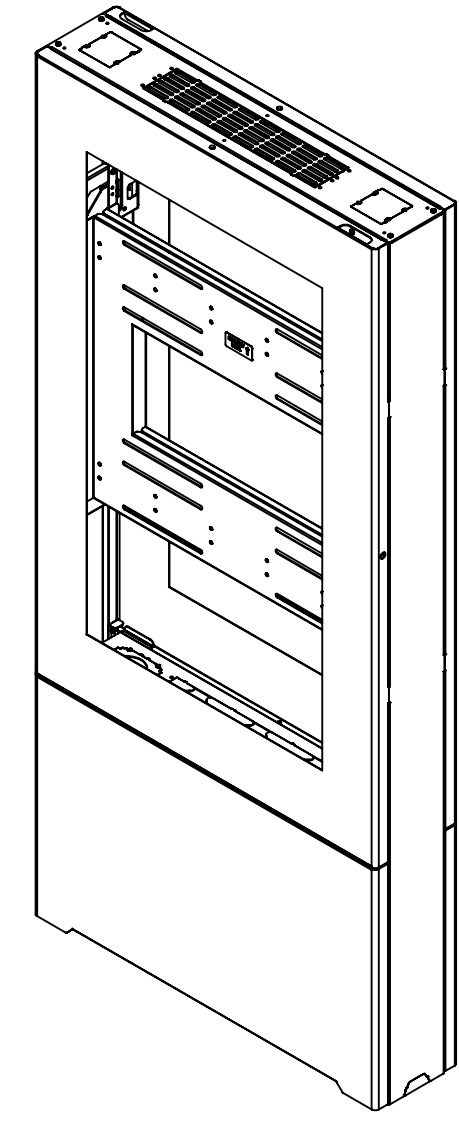
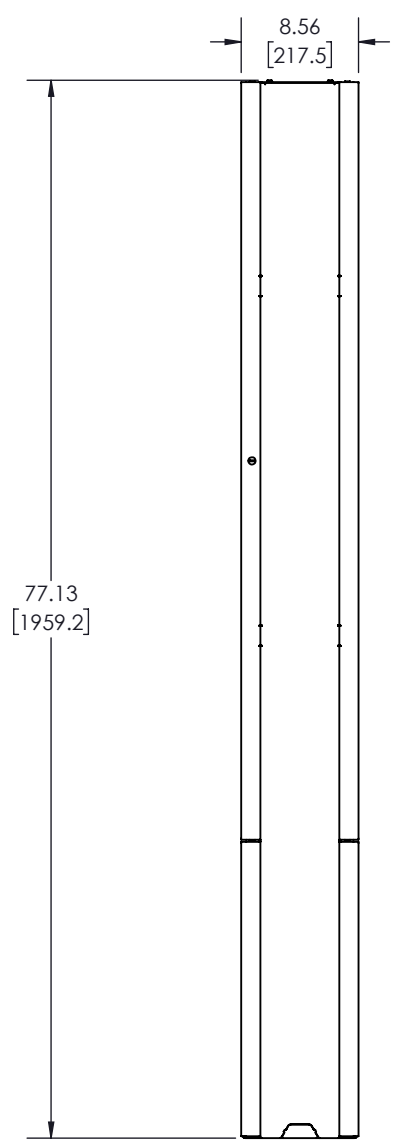
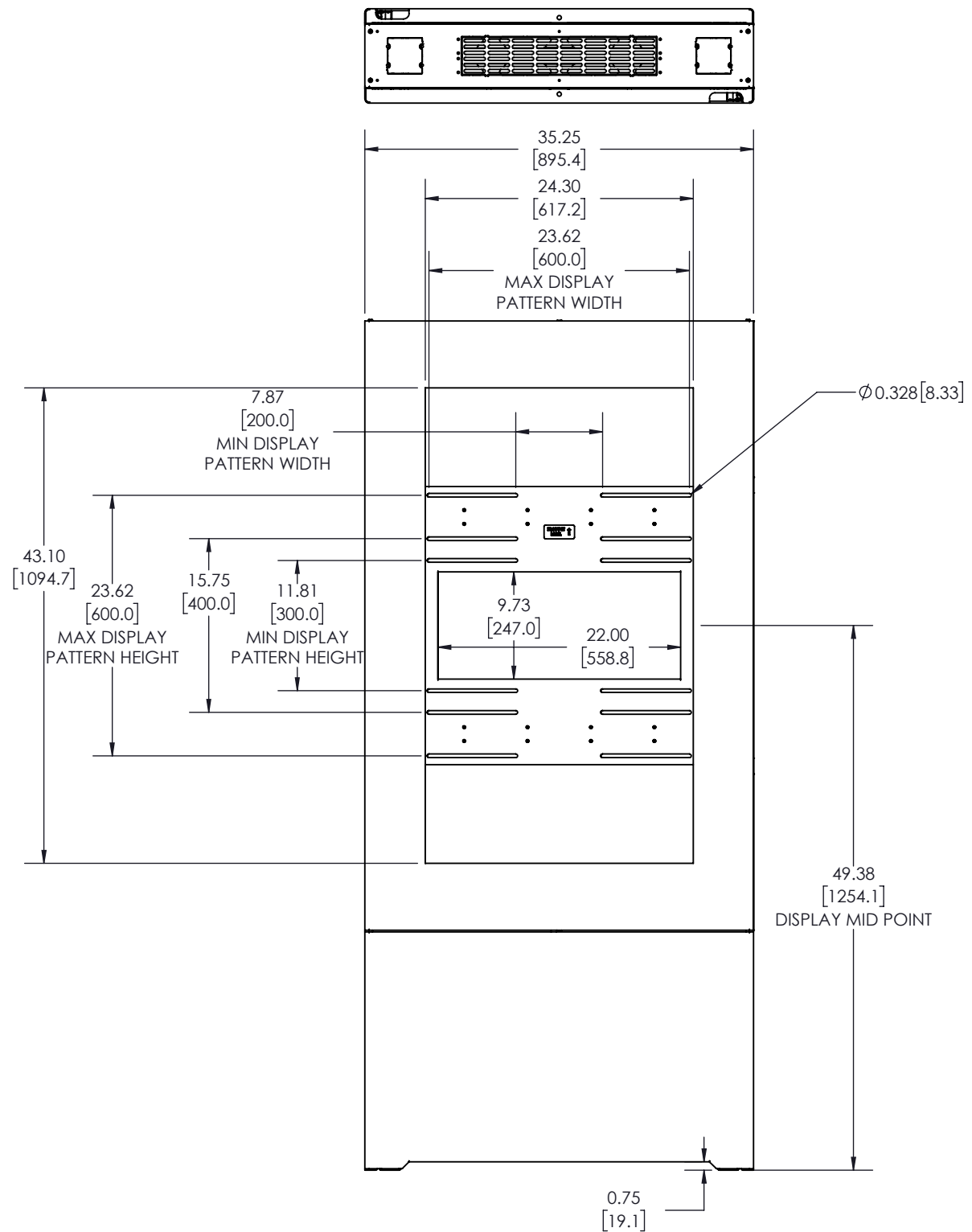


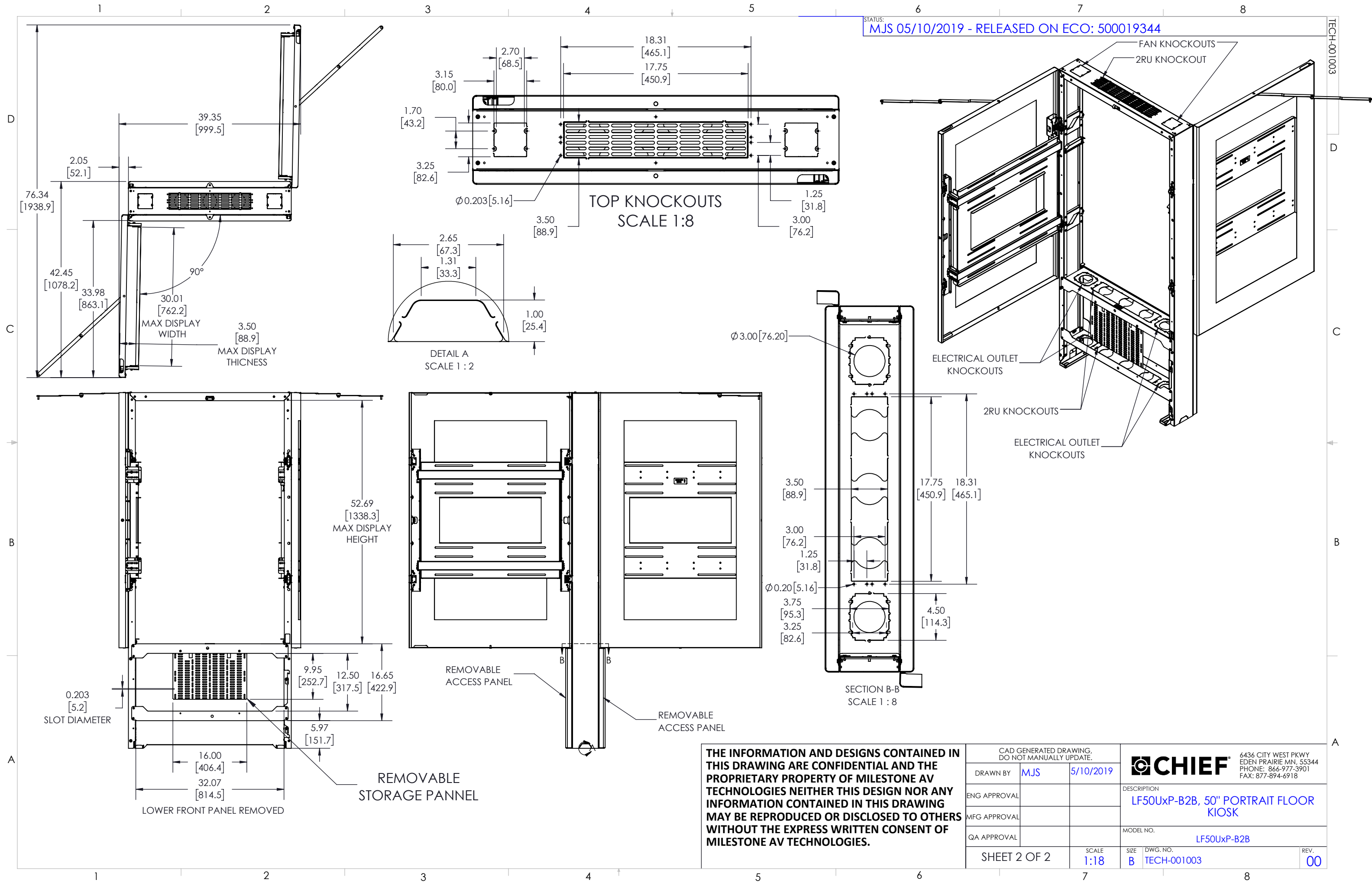
D
C
B
A

D
C
B
A



THE INFORMATION AND DESIGNS CONTAINED IN THIS DRAWING ARE CONFIDENTIAL AND THE PROPRIETARY PROPERTY OF MILESTONE AV TECHNOLOGIES NEITHER THIS DESIGN NOR ANY INFORMATION CONTAINED IN THIS DRAWING MAY BE REPRODUCED OR DISCLOSED TO OTHERS WITHOUT THE EXPRESS WRITTEN CONSENT OF MILESTONE AV TECHNOLOGIES.

CAD GENERATED DRAWING, DO NOT MANUALLY UPDATE.			CHIEF		6436 CITY WEST PKWY EDEN PRAIRIE MN, 55344 PHONE: 866-977-3901 FAX: 877-894-6918
DRAWN BY	MJS	5/10/2019	DESCRIPTION LF50uXP-B2B, 50" PORTRAIT FLOOR KIOSK		
ENG APPROVAL			MODEL NO. LF50uXP-B2B		
MFG APPROVAL			SCALE	SIZE	DWG. NO.
QA APPROVAL			1:14	B	TECH-001003
SHEET 1 OF 2			REV.	00	



THE INFORMATION AND DESIGNS CONTAINED IN THIS DRAWING ARE CONFIDENTIAL AND THE PROPRIETARY PROPERTY OF MILESTONE AV TECHNOLOGIES NEITHER THIS DESIGN NOR ANY INFORMATION CONTAINED IN THIS DRAWING MAY BE REPRODUCED OR DISCLOSED TO OTHERS WITHOUT THE EXPRESS WRITTEN CONSENT OF MILESTONE AV TECHNOLOGIES.

CAD GENERATED DRAWING, DO NOT MANUALLY UPDATE.			CHIEF 6436 CITY WEST PKWY EDEN PRAIRIE MN, 55344 PHONE: 866-977-3901 FAX: 877-894-6918
DRAWN BY	MJS	5/10/2019	
ENG APPROVAL			DESCRIPTION LF50xP-B2B, 50" PORTRAIT FLOOR KIOSK
MFG APPROVAL			MODEL NO. LF50xP-B2B
QA APPROVAL			SCALE 1:18
SHEET 2 OF 2		SIZE B	DWG. NO. TECH-001003
			REV. 00