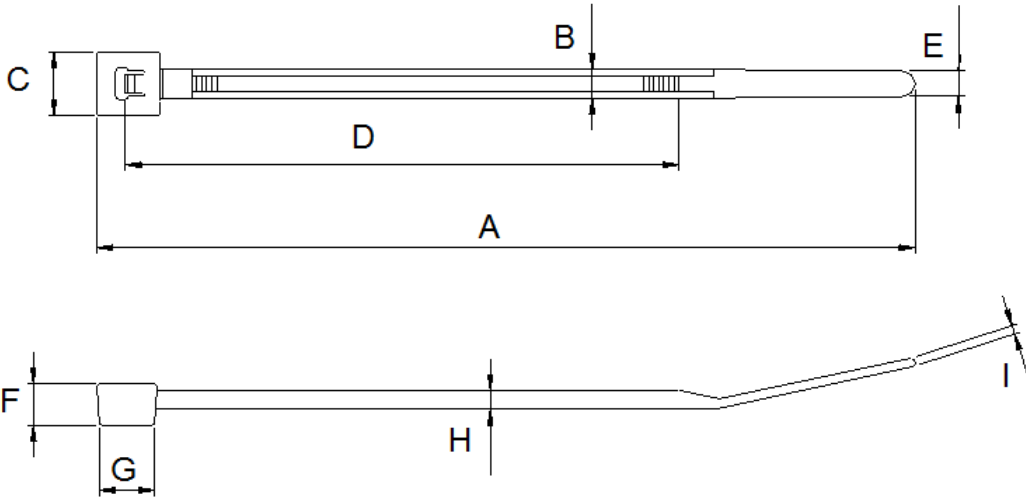


VELOCITY



ALLOWANCE	TOLERANCE
DIMENSION	TOLERANCE
≤ 8	± 0.2
8~16	± 0.25
16~32	± 0.3
32~63	± 0.4
63~126	± 0.5
126~250	± 0.8
250~500	± 1.0
500~1000	± 1.5
≥ 1000	± 2.5

DIMENSIONS IN MM

CAT NO.	A	B	C	D	E	F	G	H	I
94 CT370BL	372	4.8	7.9	345	3.2	5.5	8.4	1.3	0.8