

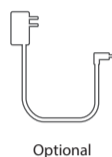
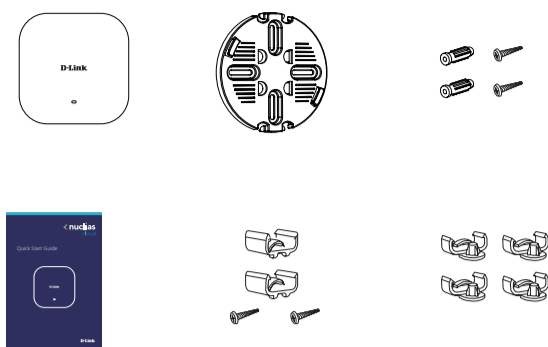
Quick Start Guide

DAP-2662

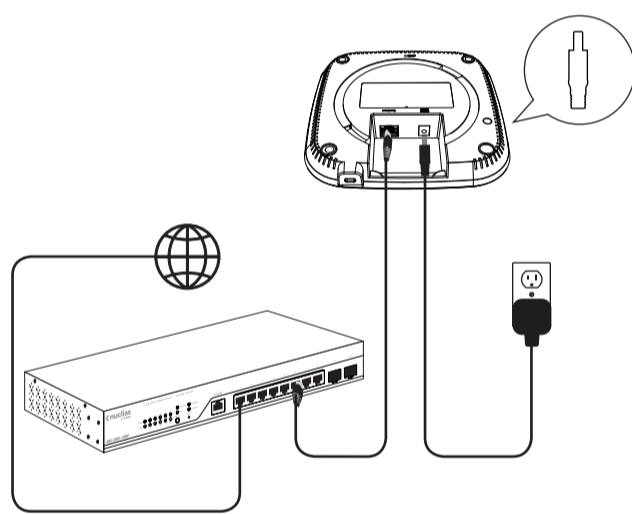
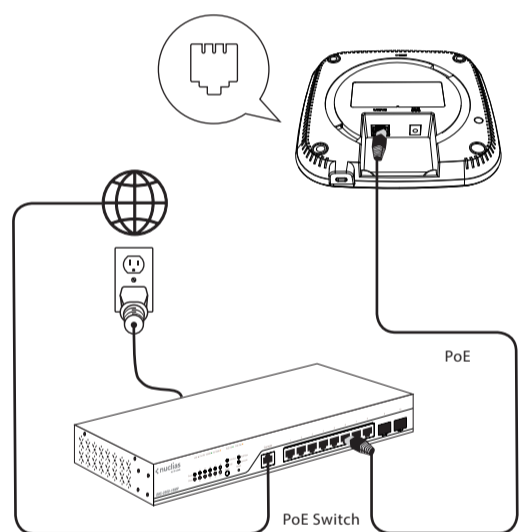
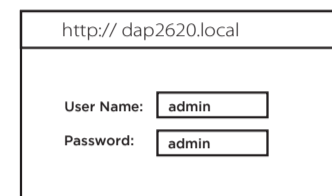


D-Link

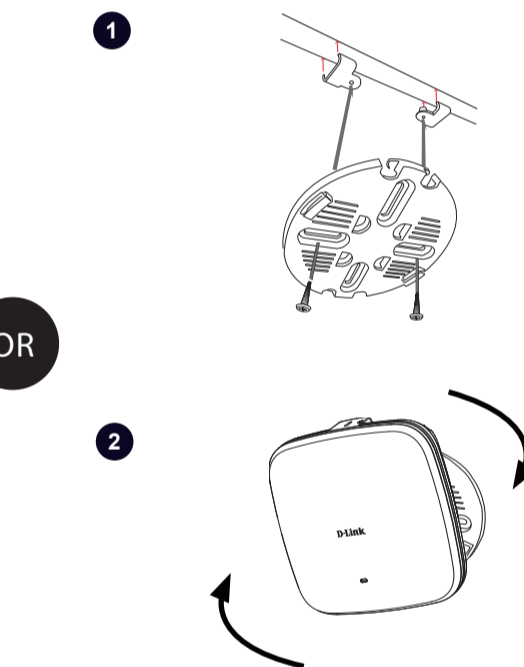
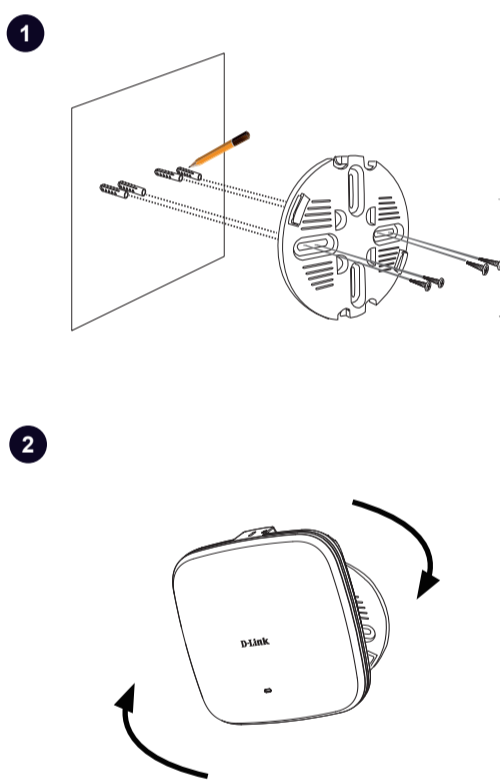
D-Link



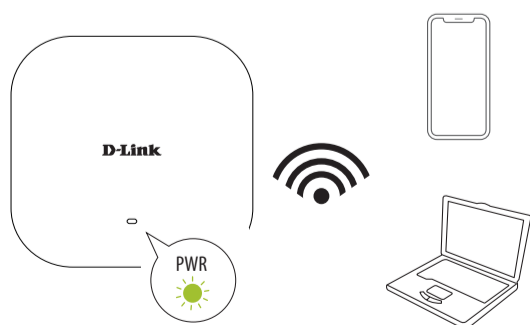
OR



OR



OR



<https://www.nuclias.com>



<https://www.dlink.com/support>



<https://www.dlink.com/warranty>