



ENGAGE STUDENTS **AT A NEW LEVEL**

Chief's Large Capacity Height Adjustable Cart and Floor Support Mount are ideal for interactive displays to create better accessibility to technology in the classroom. Increase student and teacher engagement by easily raising and lowering the display 26 inches (660 mm). Kid-friendly safety features immediately halt and reverse motion of display upon encountering an obstruction.



LFE1U
Large Capacity
Height Adjustable
Floor Support
Mount



**INTEGRATED
CONTROL PAD**



LPE1U
Large Capacity
Height Adjustable
Flat Panel Cart



**BROAD RANGE OF
HEIGHTS/POSITIONS**

FEATURES

- Electronically adjust display height via:
 - » Integrated control pad included
 - » Optional Remote Control Kit [PACREM](#) or Bluetooth™ Dongle [PACBLU](#) for use with LINAKE® smart phone app (Sold Separately)
- Broad range of heights/positions
- Simple, minimalist and sleek aesthetics
- Tilt increments of 0°, 2° and 4°
- Anti-collision technology immediately halts, then reverses motion upon encountering an obstruction to avoid pinching fingers or damaging the display
- Integrated cable management and strain relief helps prevent the cable from disconnecting
- Meets UL Certification for Tall Institutional Cart Standard
- Electric Height Adjustable series includes options for cart ([XPD1U/LPE1U](#)), floor-support ([XFD1U/LFE1U](#)) and wall mount ([XSD1U](#)) applications

ACCESSORIES

[PAC810](#) Video Conferencing Camera Shelf

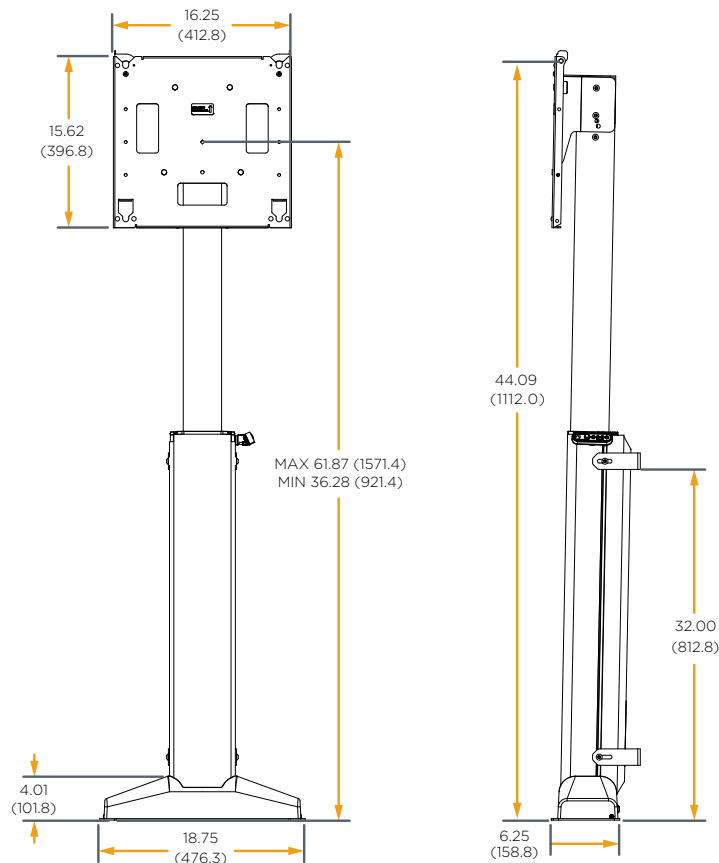
[PAC870](#) Height-Adjustable Accessory Shelf



[PAC800HS](#) / [PAC810HS](#) Above/Below HuddleSHOT All-in-One Conferencing Camera Shelf



Additional accessories available at legrandav.com



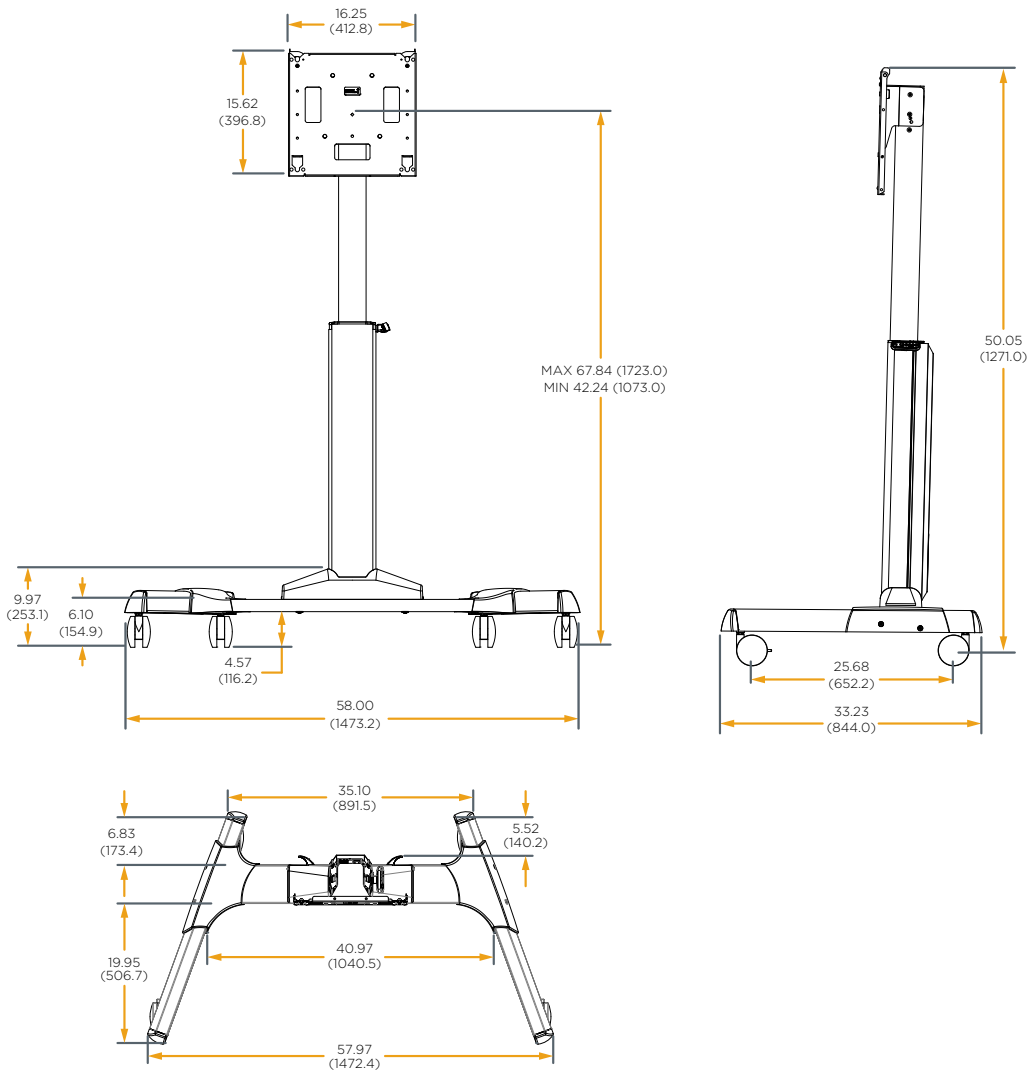
LFE1U

Large Capacity Height Adjustable Floor Support Mount

SPECIFICATIONS

Model	Application	Center of Display to Floor Range	Overall Dimensions Collapsed	Weight Capacity	Vertical Lift	Mounting Pattern Range	Leveling Adjustment
LFE1U	Floor Support	36.3 - 61.9" (922 - 1522 mm)	44.09 X 18.75 X 7.68" (1112 X 476 X 195 mm)	200 lbs. (90 kg)	26" (660 mm)	200 X 200 - 860 X 510 mm	Up to 1.5" (38 mm)
LPE1U	Cart	36.3 - 61.9" (922 - 1522 mm)	50.05 x 58.0 x 33.23" (1271 x 1473 x 844 mm)	200 lbs. (90 kg)	26" (660 mm)	201 X 200 - 860 X 510 mm	Up to 1.5" (38 mm)

Different power plugs are available for specific geographic regions. Check with your sales rep or legrandav.com for more details.



LPE1U

Large Capacity Height Adjustable Flat Panel Cart



INSTALLER INSPIRED | legrandav.com

USA	P 866.977.3901	E av.chief.support@legrand.com
CANADA	P 877.345.4329	E av.chief.canada@legrand.com
EMEA	P +31 495 580 840	E av.emea.sales@legrand.com
APAC	P +852 2145 4099	E av.asia.sales@legrand.com

©2020 Legrand AV Inc. 190370 3/20 Chief is a registered trademark of Legrand AV Inc. All other brand names or marks are used for identification purposes and are trademarks of their respective owners. All patents are protected under existing designations. Other patents pending.



COMMERCIAL BRANDS

C2G | Chief | Da-Lite | Luxul | Middle Atlantic | Vaddio | Wiremold