

# VWG3U Video Wall Mount

For Video Wall Displays up to 1000 x 400 VESA

## Best in Class Unistrut Video Wall Mount

- 6 points of micro-adjustment
- 3" Depth adjustment
- 1" Plumb adjustment
- 1" Vertical adjustment and leveling
- 11.25" Service mode extension from wall for wiring & alignment
- Push in - Pop out™ technology
- Wall brake system for alignment on uneven walls
- One-touch lock and release mechanism



Model	TV Size	VESA	Depth	Max Load
VWG3U	37" - 75"+	Up to 1000x400	4.10" Min - 7.05" Max	150 lb

### INSTALLS IN MINUTES

#### Direct Unistrut Installation

Easily installs to 1-5/8" unistrut in minutes, just attach the VWG3U to the display and mount to unistrut channel.



### ONE TOUCH LOCK SYSTEM

#### Secure and Release with One Touch

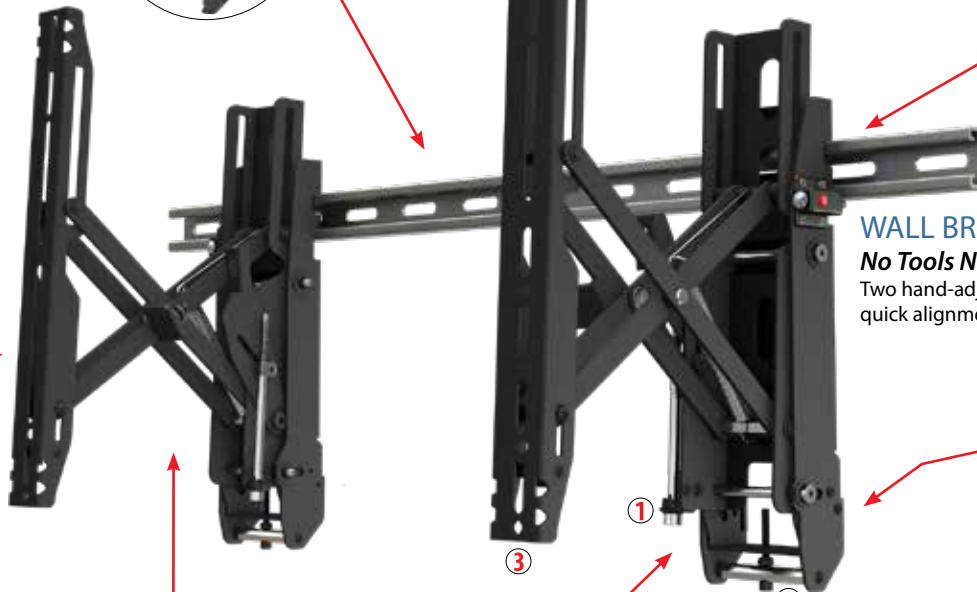
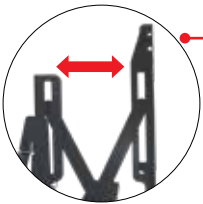
Quick release-and-engage mechanisms lock the mount with one touch and keep the display secure.



### Depth Adjustment

#### 3" Depth Micro-Adjustment

In addition to the 4-corner plumb adjustment of G2, the G3 adds an independent micro-adjustment for regulating depth of the display relative to the wall.



### WALL BRAKE ALIGNMENT

#### No Tools Needed

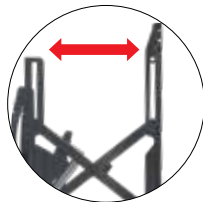
Two hand-adjustable wall brakes allow for quick alignment on uneven walls.



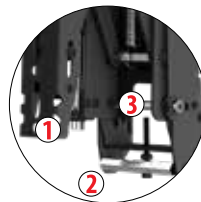
### SERVICE MODE

#### 11.25" Extension From Wall

Gives installer 11.25" of clearance for wiring and service.



- 1) Depth 3"
- 2) Plumb +/-0.5"
- 3) Leveling +/-0.5"



### ADJUSTMENTS IN ONE LOCATION

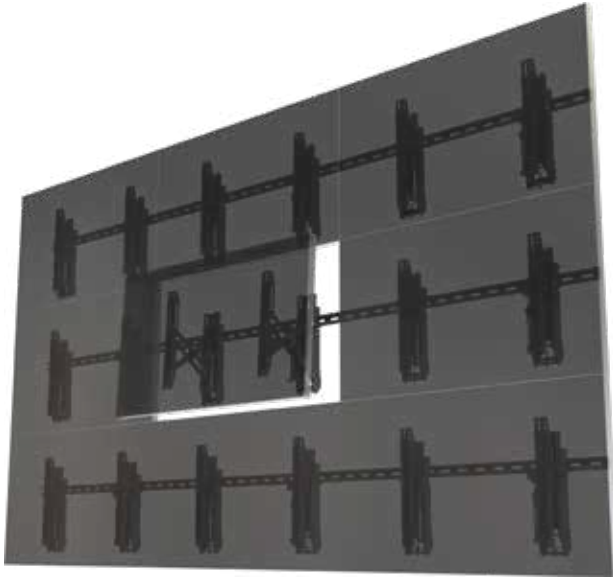
#### 6 Conveniently Located Adjustment Points

All 6 micro-adjustment points are located on the bottom of the mount for easy access. 6mm standard hex driver is included.

# VWG3U Unistrut Video Wall Mount

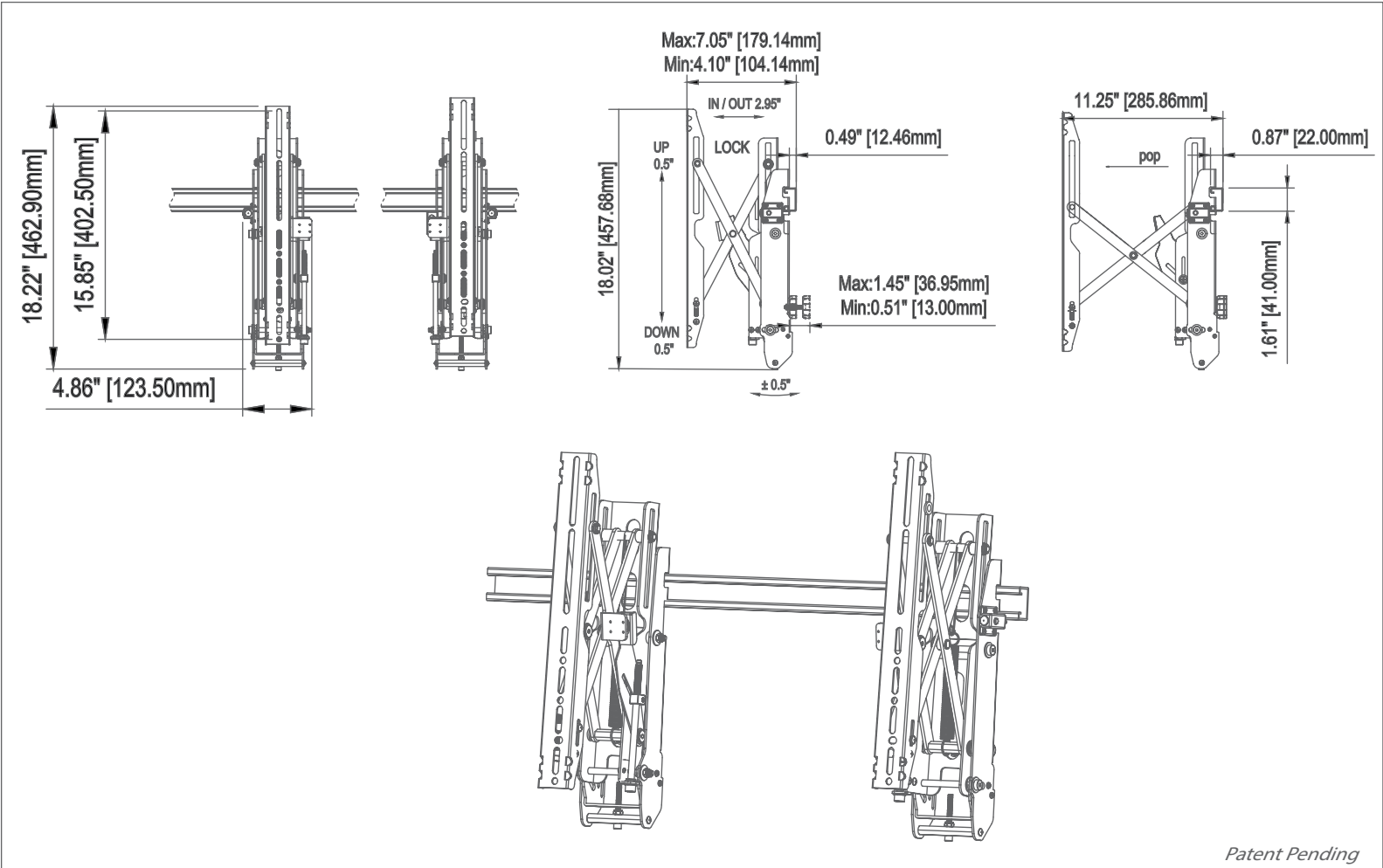
## For Video Wall Displays up to 1000 x 400 VESA

1-866-MOUNT-TV  
www.crimsonav.com



Attribute	Value
Monitor size	37"-75" or larger
Mounting surface	1-5/8" unistrut channel
Orientation	Landscape
Weight capacity	150 lb
Max mounting pattern	1000x402mm
VESA mounting patterns	200x200mm through 1000x400mm
Post-installation leveling	+/- 0.5" (1" total)
Plumb Micro-Adjustment	+/- 0.5" (1" total)
Depth Micro-Adjustment	2.95" total depth
Depth from wall	Min 4.10" Max 7.05"
Extension	11.25" extension from wall during service
Security	Patent-pending one-touch lock system
Construction	High-grade cold rolled steel
Product finish	Scratch resistant epoxy powder coat
Color	Black
Model number	VWG3U
Warranty	Lifetime

Designed for ease of use and installation, the VWG3U unistrut video wall mount makes installing video wall systems quick and simple. Mounting directly to unistrut channels in minutes, even large configurations can be quickly assembled by a single installer. Alignment is made easy with 8 different adjustment points, and no tools are required for wall brake adjustments, ideal in situations involving uneven walls. One touch lock-and-key mechanism keeps the display secure, while the push-in/pop-out technology ensures fast display servicing.



Patent Pending