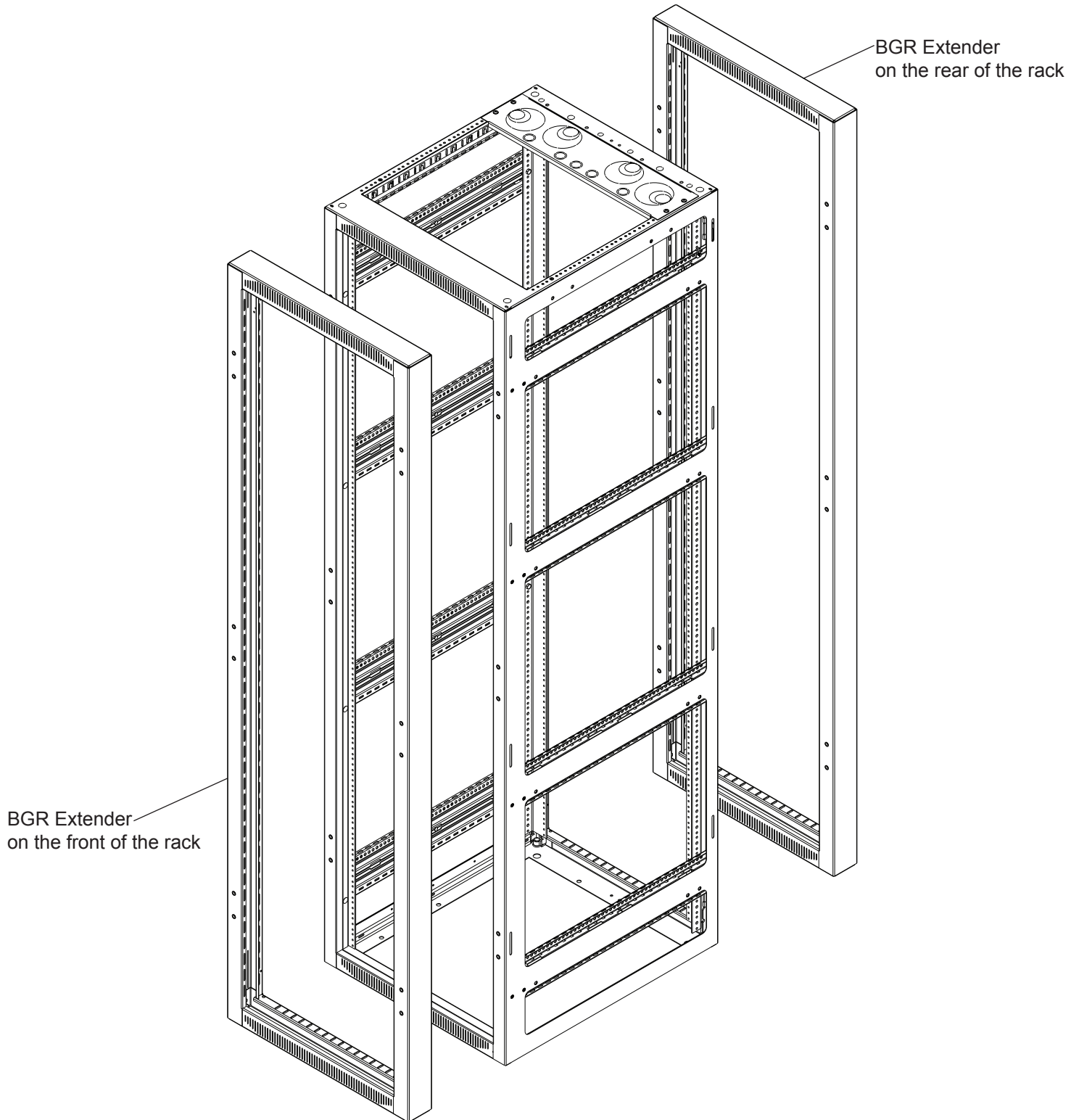


INSTALLATION INSTRUCTIONS

BGR SERIES
EXTENDER BAY



THANK YOU

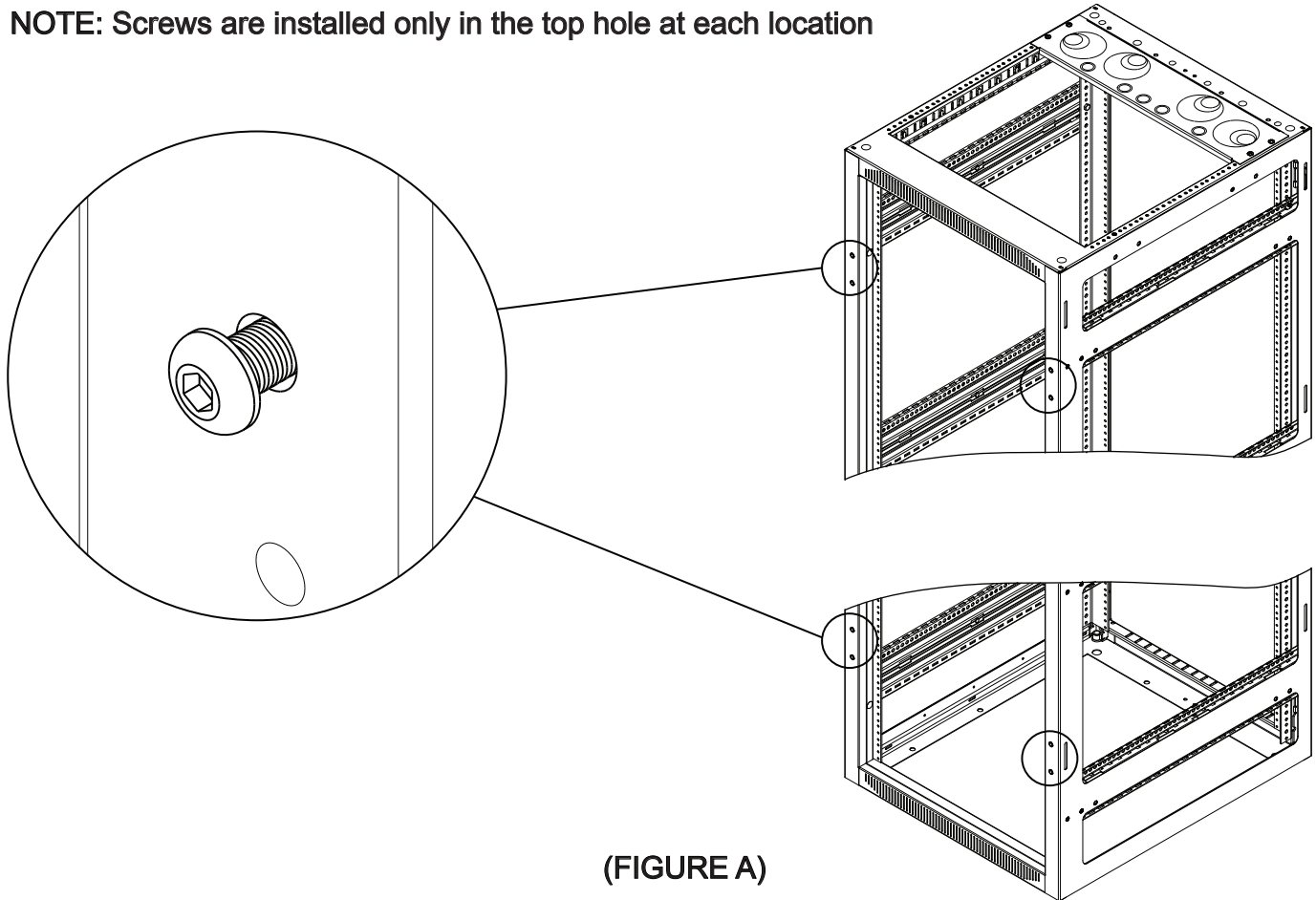
Thank you for purchasing the BGR-EXT Extender. Please read these instructions thoroughly before installing this product.

FRONT INSTALLATION

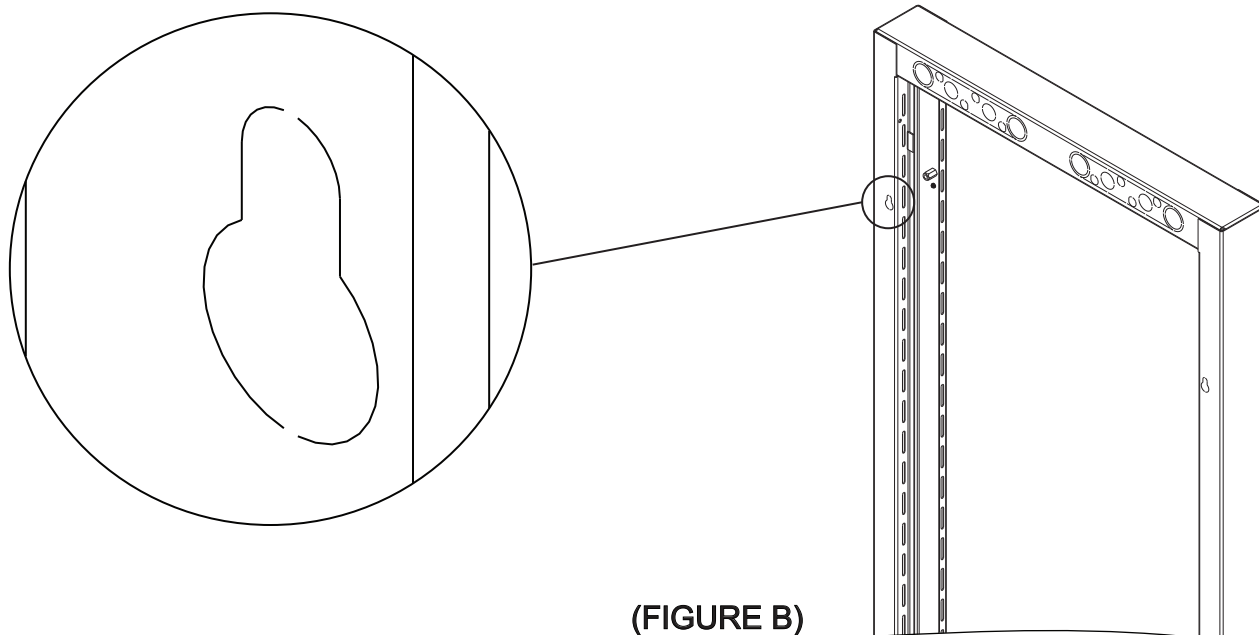
1) Partially install button head screws at the top and bottom of the rack (four places) as shown. Leave approximately 1/16" of screw threads showing. **(FIGURE A)**

NOTE: Front and Rear Doors on rack can be removed and reinstalled onto extenders as needed.

NOTE: Screws are installed only in the top hole at each location

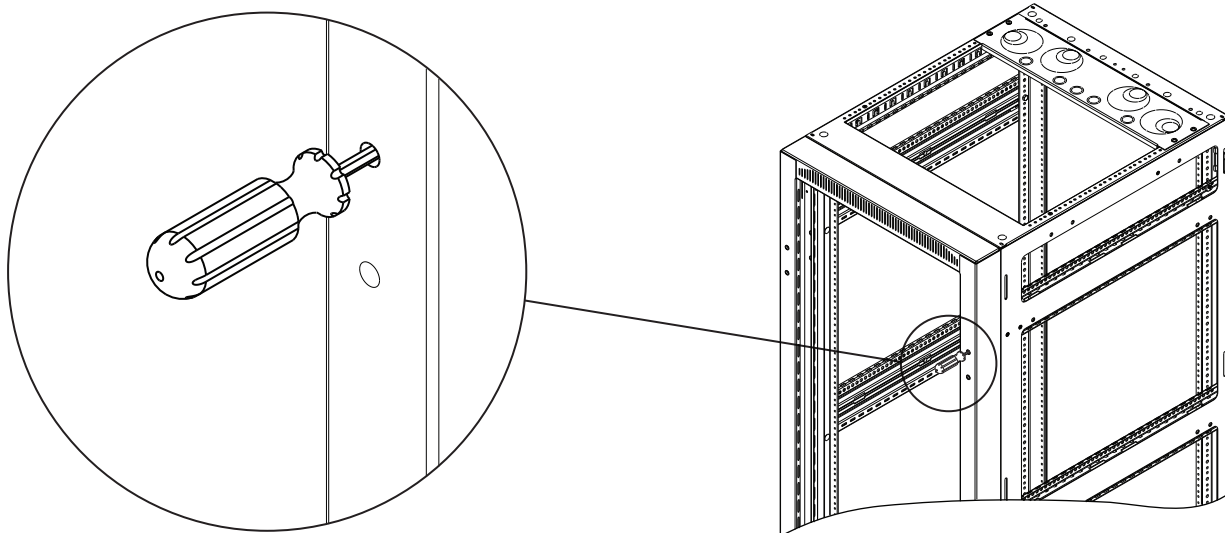


2) Remove keyhole knockouts on rear of extender (four places). **(FIGURE B)**



FRONT EXTENDER INSTALLATION (CONTINUED)

- 3) Install Extender onto front of rack by inserting button head screws into keyholes on extender. Slide extender down into position and tighten screws using Allen driver provided. **(FIGURE C)**

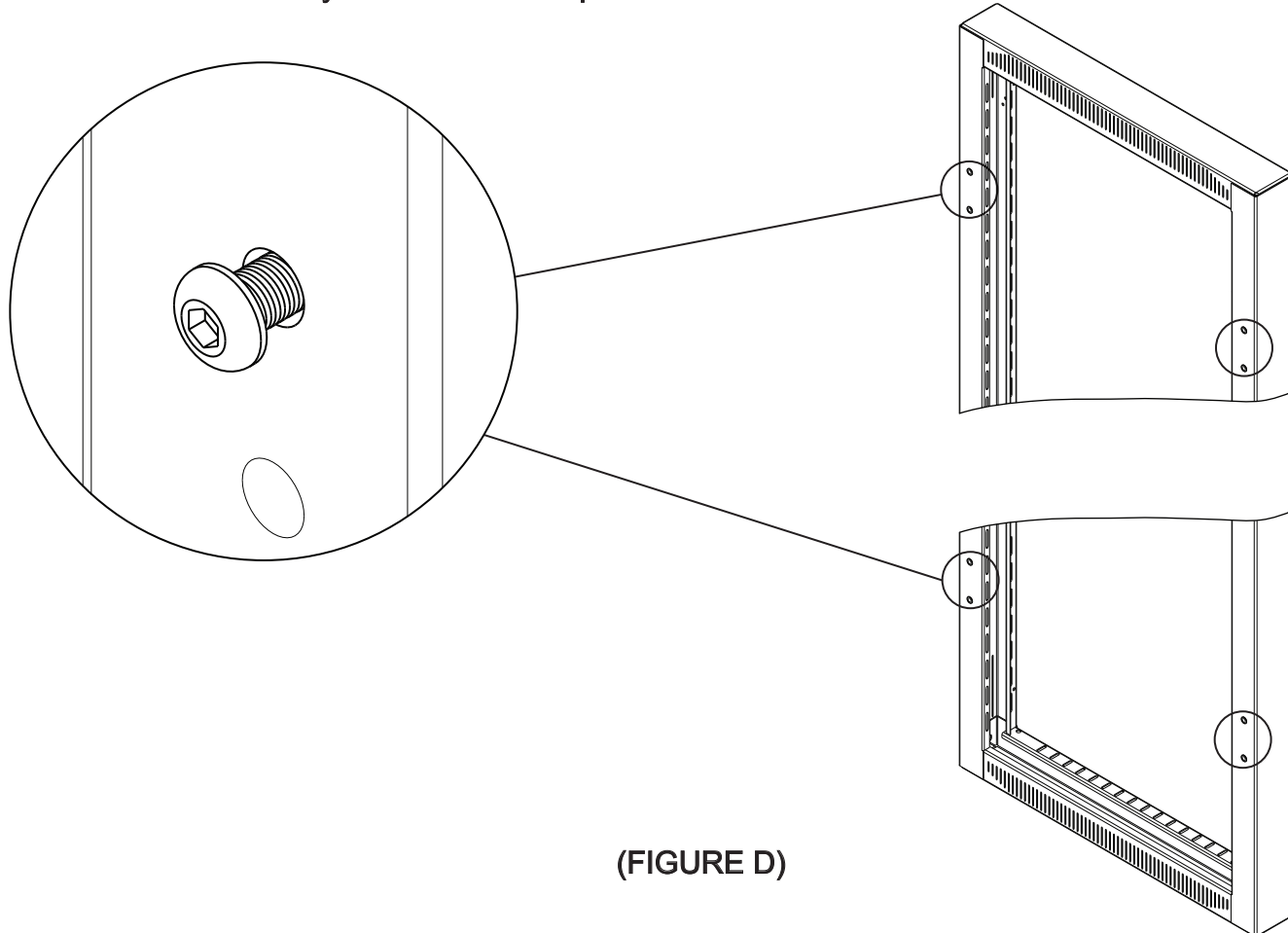


(FIGURE C)

REAR INSTALLATION

- 1) Partially install button head screws at top and bottom of the Extender (four places) as shown. Leave approximately 1/16" of screw threads showing. **(FIGURE D)**

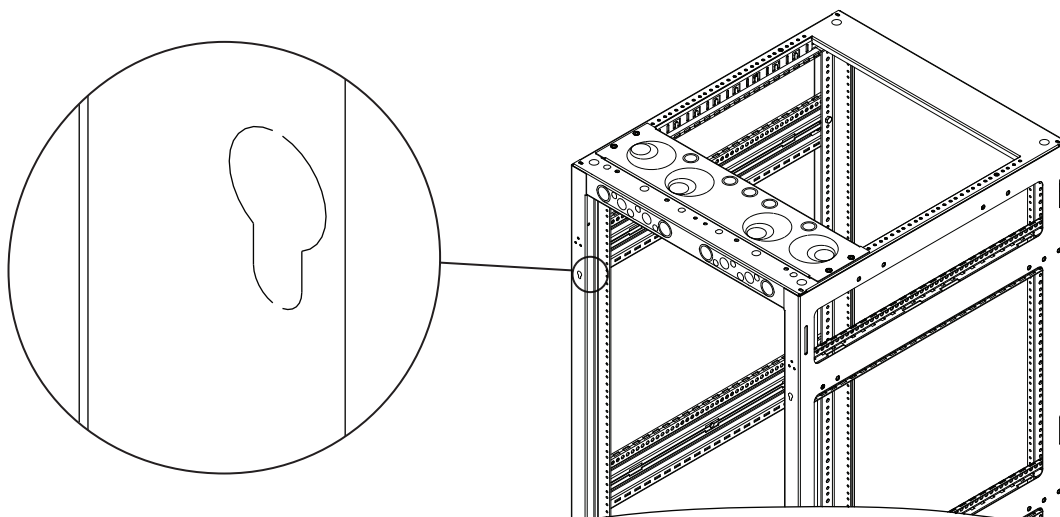
NOTE: Screws are only installed in the top hole at each location



(FIGURE D)

REAR EXTENDER INSTALLATION (CONTINUED)

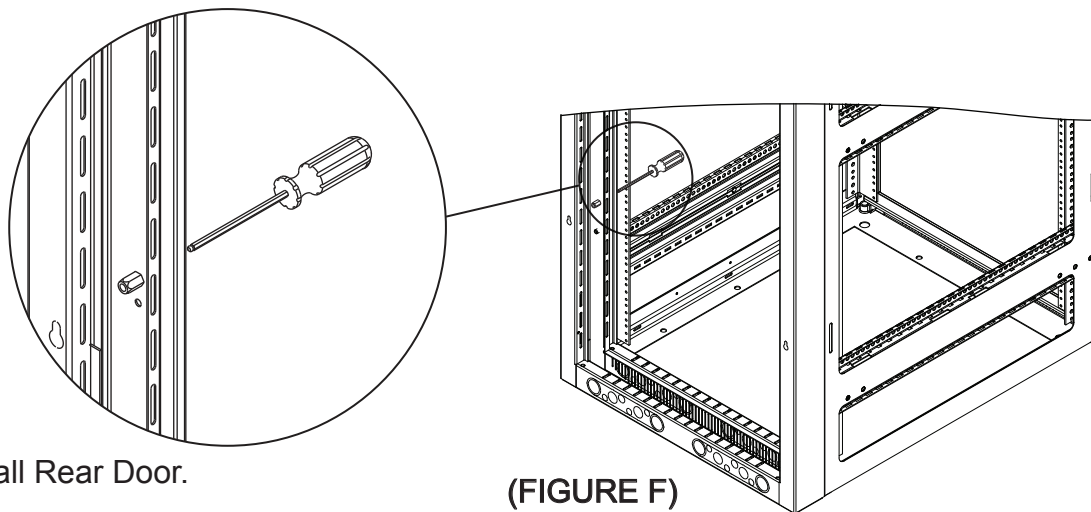
2) Remove Rear Door and remove keyhole knockouts (four places) on rear of rack. (FIGURE E)



(FIGURE E)

3) Install Extender onto rear of rack by inserting button head screws into keyholes and sliding down into position. Tighten screws using Allen driver provided. (FIGURE F)

NOTE: Rear Rackrail may need to be relocated in order to complete installation of Extender



4) Reinstall Rear Door.

(FIGURE F)

WARRANTY

Middle Atlantic Products, Inc. (the "Company") warrants the BGR-EXT to be free from defects in material or workmanship under normal use and conditions for the lifetime of the product.

The Company's entire liability to the purchaser, and the purchaser's (or any other party's) sole and exclusive remedy, under this warranty shall be limited, at the Company's option, to either (a) return of and refund of the price paid for, or (b) repair or replacement at the Company's factory of the products purchased, or any part or parts thereof, which the Company has determined to be defective after inspection thereof at the Company's factory. This warranty does not cover damage due to acts of God, accident, misuse, abuse or negligence by parties other than the Company, or any modification or alteration of the products. In addition, this warranty does not cover damage due to improper handling, assembly, installation or maintenance.

THIS WARRANTY IS IN LIEU OF ALL OTHER WARRANTIES OF ANY KIND, EITHER EXPRESSED OR IMPLIED, INCLUDING, BUT NOT LIMITED TO, IMPLIED WARRANTIES OF MERCHANTABILITY AND FITNESS FOR A PARTICULAR PURPOSE.

TO THE MAXIMUM EXTENT PERMITTED BY APPLICABLE LAW, IN NO EVENT SHALL THE COMPANY BE LIABLE FOR ANY SPECIAL, INCIDENTAL, INDIRECT, OR CONSEQUENTIAL DAMAGES WHATSOEVER (INCLUDING, WITHOUT LIMITATION, DAMAGES FOR LOSS OF BUSINESS PROFITS, BUSINESS INTERRUPTION OR ANY OTHER PECUNIARY LOSS) ARISING OUT OF THE USE OF THE PRODUCTS PURCHASED, EVEN IF THE COMPANY HAS BEEN ADVISED OF THE POSSIBILITY OF SUCH DAMAGES. THE COMPANY'S LIABILITY TO THE PURCHASER (OR ANY OTHER PARTY) HEREUNDER, IF ANY, SHALL IN NO EVENT EXCEED THE PURCHASE PRICE OF THE PRODUCTS PAID TO THE COMPANY.

Corporate Headquarters

Corporate Voice 973-839-1011 - Fax 973-839-1976 / International Voice +1 973-839-8821 - Fax +1 973-839-4982
middleatlantic.com - info@middleatlantic.com

Middle Atlantic Canada

Voice 613-836-2501 - Fax 613-836-2690 / middleatlantic.ca - customerservicecanada@middleatlantic.ca

Factory Distribution

USA: NJ - CA - IL Canada: ON - BC

At Middle Atlantic Products we are always listening. Your comments are welcome.

Middle Atlantic Products is an ISO 9001 and ISO 14001 Registered Company.



30% Recycled Paper