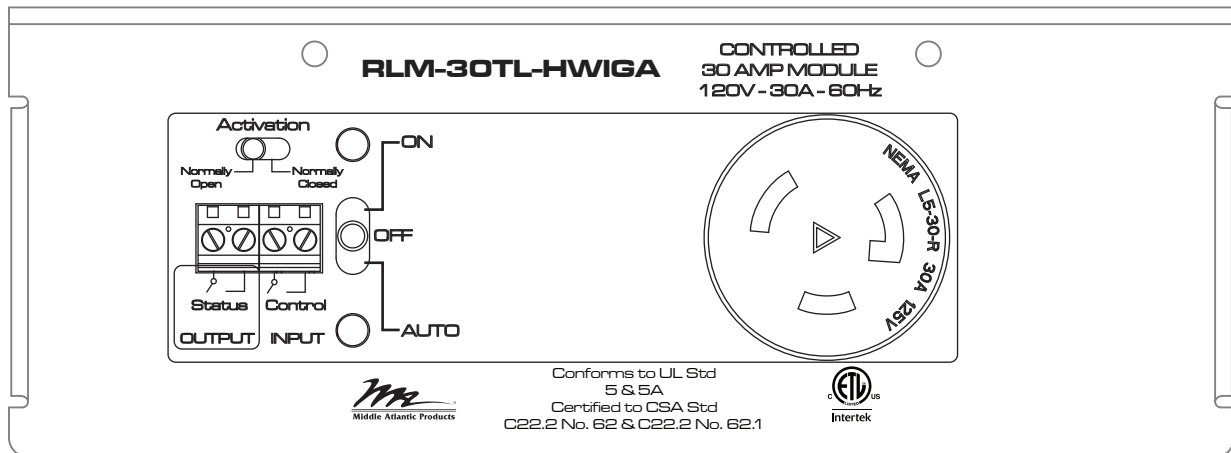


INSTRUCTION SHEET

MPR-A SERIES

RLM-30TL-HWIGA



THANK YOU

Thank you for purchasing the RLM-30TL-HWIGA Module. Please read these instructions thoroughly before installing this product.



Middle Atlantic Products

I-00599

Rev A

IMPORTANT SAFETY INSTRUCTIONS

READ AND SAVE THESE INSTRUCTIONS!
CONSERVER CES INSTRUCTIONS!

- To reduce risk of shock, disconnect the device from the power source before servicing any connected equipment

Pour réduire les risques d'électrocution, débranchez l'appareil de la source d'alimentation avant l'entretien de tout équipement connecté

- Do not overload this device. Ensure the total load to this device does not exceed that which is listed in the specifications section of this manual

Ne pas surcharger cette appareil. S'assurer que la charge totale à cet appareil ne dépasse pas celle qui est répertoriée dans la section des spécifications de ce manuel

- To be used indoors in a dry location only

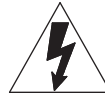
Pour être utilisé en intérieur dans un endroit sec seulement

- Do not operate with a damaged cord or plug

Ne pas faire fonctionner avec un cordon ou une prise endommagée

- Clean only with dry cloth

Nettoyer avec un chiffon sec seulement



DANGER HAZARDOUS VOLTAGE/DANGER HAUTE TENSION

The lightning flash with the arrowhead symbol, within an equilateral triangle is intended to alert the user to the presence of uninsulated dangerous voltage within the product's enclosure that may be of sufficient magnitude to constitute a risk of electric shock to persons.

L'éclair avec le symbole de flèche dans un triangle équilatéral est destiné à alerter l'utilisateur de la présence d'une tension dangereuse non isolée dans l'enceinte du produit qui peut être d'une ampleur suffisante pour constituer un risque de choc électrique pour les personnes.



CAUTION/ATTENTION

The exclamation point within an equilateral triangle is intended to alert the user to the presence of important operating and maintenance (servicing) instructions in the literature accompanying the appliance.

Le point d'exclamation dans un triangle équilatéral est destiné à alerter l'utilisateur de la présence d'importantes instructions d'opération et de maintenance (entretien) dans la documentation accompagnant l'appareil.

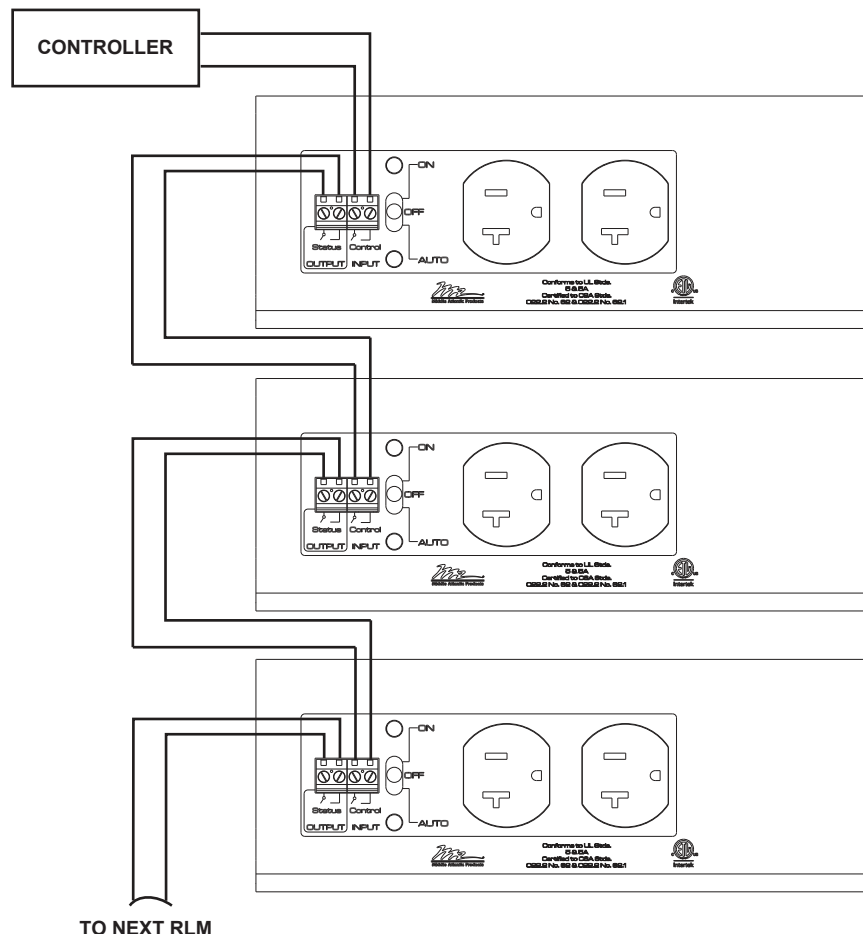
The product meets the requirements of the following standards:

- UL Standard 5 & 5A, CSA-C22.2 No. 62 & C22.2 No. 62.1

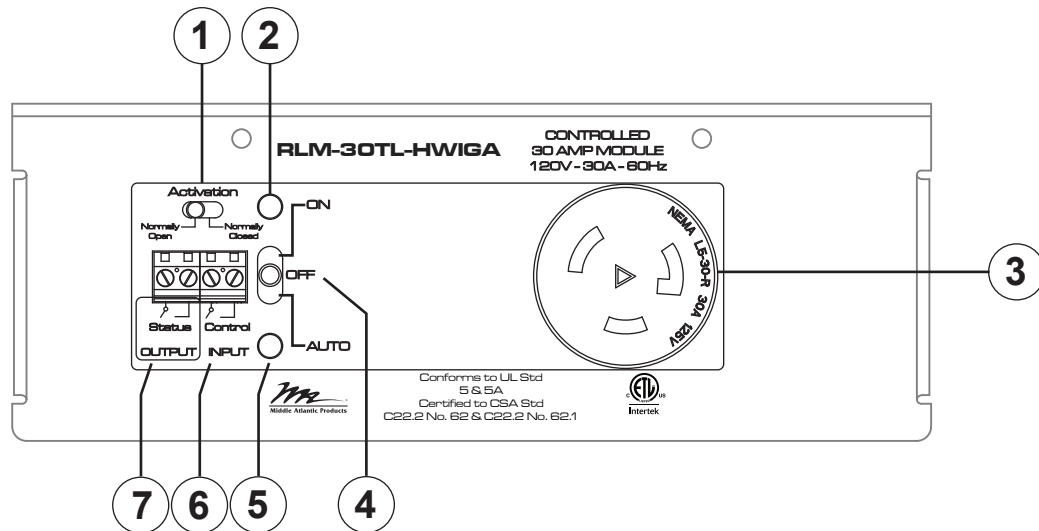
CONTROLLING MULTIPLE RLMs VIA A SINGLE CONTACT CLOSURE

- 1) Connect the status terminal block of the first module to the control terminal block of the second module. Connect additional modules using the status terminal block of the previous module.

DO NOT connect more than one RLM module to a dry contact. This may cause undesired operation.



CONNECTIONS, CONTROLS AND INDICATORS



- ① **CONTACT CONTROL SELECTOR SWITCH:** Allows the customer to choose to control the module using either a 'normally open' or 'normally closed' dry contact. Factory default setting is 'normally open'.
- ② **GREEN STATUS LED:** This will illuminate whenever the power and status relays are energized.
- ③ **TWIST-LOCK RECEPTACLE:** NEMA L5-30-R, 30A, 125V.
- ④ **CONTROL SWITCH:** Three position slide switch.
POSITION #1: AUTO - The receptacle will be energized when contact closure is supplied.
POSITION #2: OFF - The receptacle will not respond to any contact closure. The module cannot be energized in the OFF position.
POSITION #3: ON - The receptacle will be energized and contact closure will have no effect.
- ⑤ **YELLOW STATUS LED:** This will illuminate whenever the control switch is in the AUTO position. This is an indication that the internal power supply is functioning and that the module will respond to a contact closure.
- ⑥ **CONTROL TERMINALS:** These terminals energize the receptacle with a dry contact closure.
- ⑦ **STATUS TERMINALS:** Dry contact closed when receptacle is energized. Rated capacity is .5A.

WIRING THE MODULE

NOTE: 10 AWG copper wire **MUST** be used. Wire can be solid or stranded.

1) Insert wiring into spring loaded opening according to diagram. (FIGURE A)

NOTE: Once wiring is inserted into the opening, the wire securing spring clip will clench the wire automatically. To remove wire, insert a small flathead screwdriver into the rectangular opening above the wire.

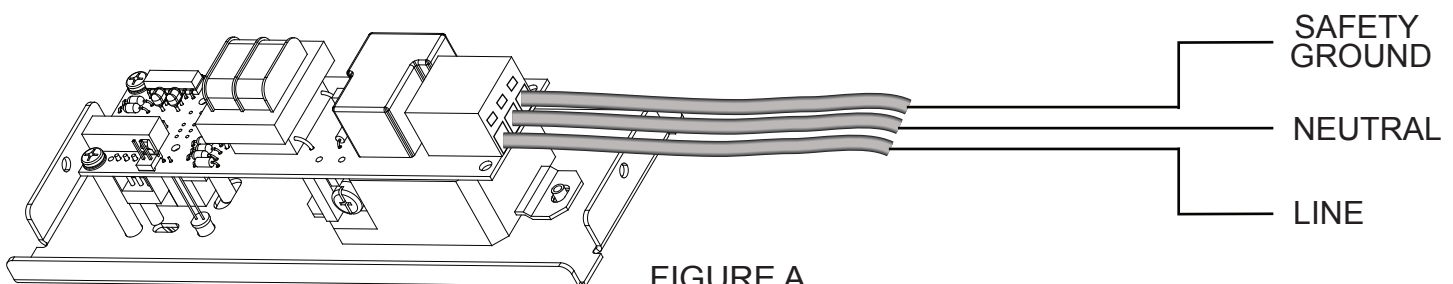
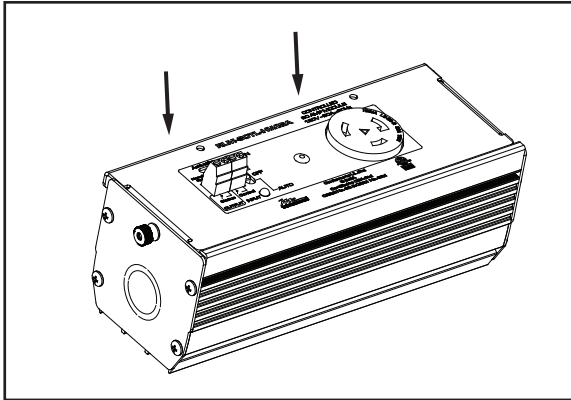


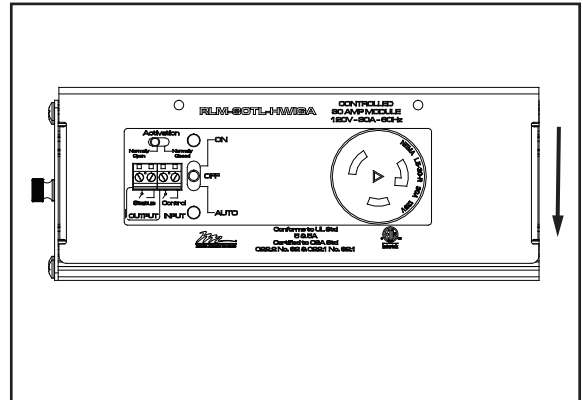
FIGURE A

INSTALLATION OF MODULE TO RACEWAY

- 1) Insert module straight down into the raceway (FIGURE B).
- 2) Slide the module into raceway (FIGURE C).



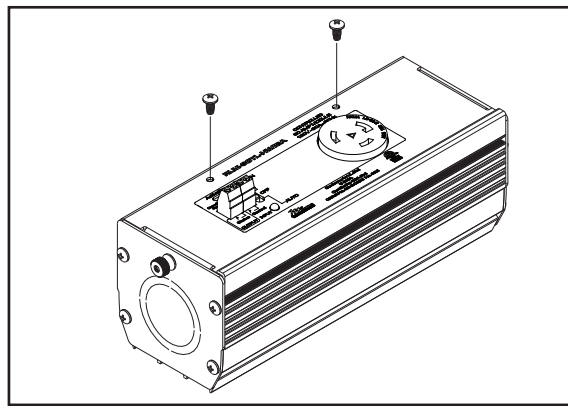
(FIGURE B)



(FIGURE C)

- 3) Screw the module to the raceway (FIGURE D).

USE A HAND-HELD SCREWDRIVER AND DO NOT OVERTIGHTEN!



(FIGURE D)

WARRANTY

Middle Atlantic Products (the "Company") warrants the RLM-30TL-HWIGA to be free from defects in material or workmanship under normal use and conditions for a period of three (3) years from the date of shipment by the company.

The Company's entire liability to the purchaser, and the purchaser's (or any other party's) sole and exclusive remedy, under this warranty shall be limited, at the Company's option, to either (a) return of and refund of the price paid for, or (b) repair or replacement at the Company's factory of the products purchased, or any part or parts thereof, which the Company has determined to be defective after inspection thereof at the Company's factory.

This warranty does not cover damage due to acts of God, accident, misuse, abuse or negligence by parties other than the Company, or any modification or alteration of the products. In addition, this warranty does not cover damage due to improper handling, assembly, installation or maintenance.

THIS WARRANTY IS IN LIEU OF ALL OTHER WARRANTIES OF ANY KIND, EITHER EXPRESSED OR IMPLIED, INCLUDING, BUT NOT LIMITED TO, IMPLIED WARRANTIES OF MERCHANTABILITY AND FITNESS FOR A PARTICULAR PURPOSE.

TO THE MAXIMUM EXTENT PERMITTED BY APPLICABLE LAW, IN NO EVENT SHALL THE COMPANY BE LIABLE FOR ANY SPECIAL, INCIDENTAL, INDIRECT, OR CONSEQUENTIAL DAMAGES WHATSOEVER (INCLUDING, WITHOUT LIMITATION, DAMAGES FOR LOSS OF BUSINESS PROFITS, BUSINESS INTERRUPTION OR ANY OTHER PECUNIARY LOSS) ARISING OUT OF THE USE OF THE PRODUCTS PURCHASED, EVEN IF THE COMPANY HAS BEEN ADVISED OF THE POSSIBILITY OF SUCH DAMAGES. THE COMPANY'S LIABILITY TO THE PURCHASER (OR ANY OTHER PARTY) HEREUNDER, IF ANY, SHALL IN NO EVENT EXCEED THE PURCHASE PRICE OF THE PRODUCTS PAID TO THE COMPANY.

Corporate Headquarters

Corporate Voice 973-839-1011 - Fax 973-839-1976
International Voice +1 973-839-8821 - Fax +1 973-839-4982
middleatlantic.com - info@middleatlantic.com

Middle Atlantic Canada

Voice 613-836-2501 - Fax 613-836-2690
middleatlantic.ca - customerservicecanada@middleatlantic.ca

Factory Distribution

USA: NJ - CA - IL Canada: ON - BC

At Middle Atlantic Products we are always listening. Your comments are welcome. Middle Atlantic Products is an ISO 9001 and ISO 14001 Registered Company.