

# SNE Series

## security network enclosure

can be configured to address the needs of security systems consisting of a analog and/or digital equipment and cabling

### features:

- Fully welded construction provides the following weight capacities:
  - UL Listed load capacity – 3,000 lbs.
  - Caster load capacity – 1,600 lbs.
  - Seismic certified capacity – 1,050 lbs.
- Ships fully configured
  - Designed through the Configurator at [middleatlantic.com](http://middleatlantic.com)
- Available in 24", 27.6" and 30" widths
- 36" and 42" & 48" overall depths
- Includes 2 pairs of fully adjustable rackrail
- Lever Lock™ compatible
- Optional Doors accommodate industry standard electronic door locks



### specifications:

EIA compliant 19" gangable security network enclosure shall be Middle Atlantic Products model # SNE\_\_\_(refer to chart). Overall dimensions shall be \_\_\_"H x \_\_\_"W x \_\_\_"D (refer to chart). Useable height shall be \_\_\_ rackspaces, useable depth shall be \_\_\_" (refer to chart). Fully welded construction shall provide a UL Listed load capacity of 3,000 lbs., and casters shall provide a capacity of 1,600 lbs. SNE shall come equipped with two pairs of fully adjustable steel rackrail with tapped 10-32 or cage-nut mounting (refer to chart) in universal EIA spacing, black e-coat finish and numbered rackspaces. SNE shall have pre-threaded 5/16"-18 ganging holes. SNE shall be capable of ganging while fully loaded, using bolts only. SNE shall have marked rackrail depth indicators. SNE shall be of fully welded construction. SNE shall be finished in an environmentally friendly, durable black powder coat. SNE Series enclosures shall satisfy the 2007 & 2010 CBC; 2006, 2009 & 2012 IBC; ASCE 7-05 (2005 Edition) & ASCE 7-10 (2010 Edition) and the 2006 & 2009 editions of NFPA 5000 for use in areas of high seismicity, Seismic Use Group III, Zone 4 or Seismic Design Category (SDC) "D" with lateral force requirements for protecting 1,050 lbs. of essential equipment in locations with the highest level of seismicity and top floor or rooftop installations with an Importance factor (Ip) of 1.5 when used with SNE-Z4 seismic floor anchor bracket. SNE shall be UL Listed in the US and Canada to the UL-2416 (NWIN) category. SNE shall be GREENGUARD Gold Certified. SNE shall be manufactured by an ISO 9001 and ISO 14001 registered company. SNE enclosure shall be warrantied to be free from defects in material or workmanship under normal use and conditions for the lifetime of the rack.

Customizable specification clips available at [middleatlantic.com](http://middleatlantic.com)

### options:

- Cable duct shall be model # SNE-\_\_DUCT-4X6-\_\_ and be available packaged or installed (refer to chart)
- Cable chase shall be model # SNE-\_\_CC12-45\_\_ (refer to chart), and shall be 12" wide x \_\_\_" deep x 83.33" high
- Doors shall be model # SNE-\_\_-D-\_\_-V (refer to chart), and shall be 70% vented, plexi, 70% vented split, solid split, or split with fans, and mount to front or rear

EIA/TIA COMPLIANT



PRODUCT CERTIFIED FOR  
LOW CHEMICAL EMISSIONS  
[UL.COM/GG](http://UL.COM/GG)  
UL 2818



PEP  
ECO  
PASS  
PORT®

what **great systems** are built on.™

A brand of **legrand**

  
**Middle Atlantic Products**

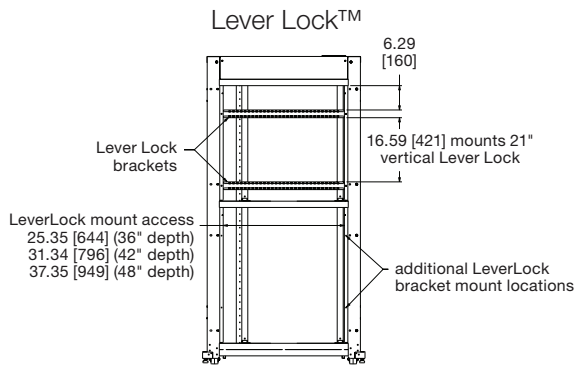
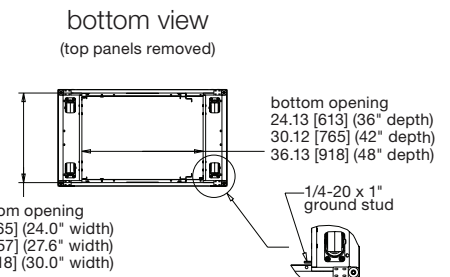
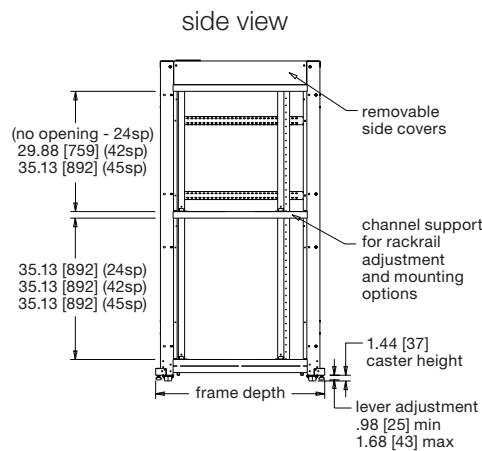
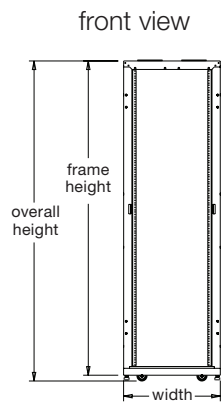
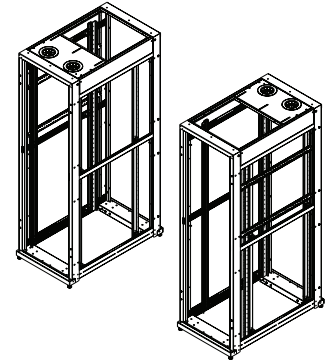
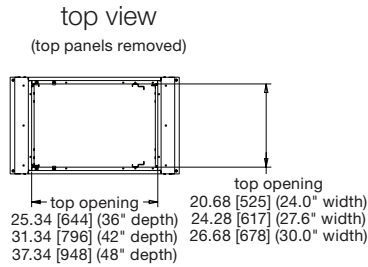
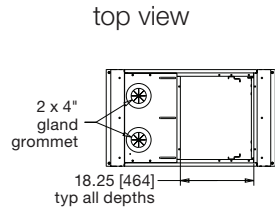
[middleatlantic.com](http://middleatlantic.com) | [middleatlantic.com](http://middleatlantic.com)

96-01221 / rev e / 5-29-20

# SNE Series

## basic dimensions

all dimensions in inches unless otherwise noted [all dimensions in brackets are in millimeters]



Frame Depth	Useable Depth
36.00 [914]	32.48 [825]
42.00 [1067]	38.48 [977]
48.00 [1219]	44.48 [1130]

Legend:  
SNEXXF-XXXX uses 10-32 rack rail  
SNE-XXF-CN-XXXX uses cage nut rack rail

Rack Spaces	Overall Height	Frame Height	24.00 [609] Width			27.60 [701] Width			30.00 [762] Width		
			36 Depth	42 Depth	48 Depth	36 Depth	42 Depth	48 Depth	36 Depth	42 Depth	48 Depth
24 space	48.02 [1220]	46.58 [1183]	SNE24F-2436 SNE24F-CN-2436	SNE24F-2442 SNE24F-CN-2442	-	-	-	-	-	-	-
42 space	79.52 [2020]	78.08 [1983]	SNE24F-4236 SNE24F-CN-4236	SNE24F-4242 SNE24F-CN-4242	SNE24F-4248 SNE24F-CN-4248	SNE27F-4236 SNE27F-CN-4236	SNE27F-4242 SNE27F-CN-4242	SNE27F-4248 SNE27F-CN-4248	SNE30F-4236 SNE30F-CN-4236	SNE30F-4242 SNE30F-CN-4242	SNE30F-4248 SNE30F-CN-4248
45 space	84.77 [2153]	83.33 [2117]	SNE24F-4536 SNE24F-CN-4536	SNE24F-4542 SNE24F-CN-4542	SNE24F-4548 SNE24F-CN-4548	SNE27F-4536 SNE27F-CN-4536	SNE27F-4542 SNE27F-CN-4542	SNE27F-4548 SNE27F-CN-4548	SNE30F-4536 SNE30F-CN-4536	SNE30F-4542 SNE30F-CN-4542	SNE30F-4548 SNE30F-CN-4548

what great systems are built on.™

A brand of **legrand**

**Middle Atlantic Products**

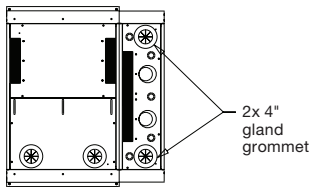
middleatlantic.com | middleatlantic.ca

# SNE Series

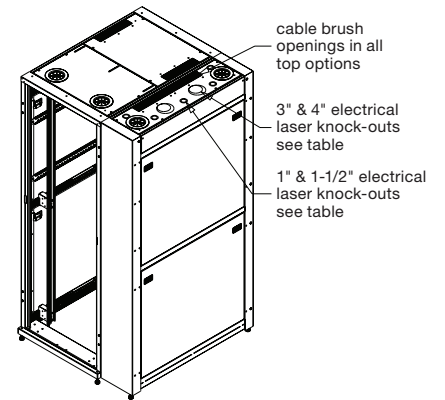
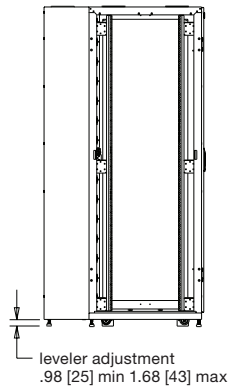
## cable chase basic dimensions

all dimensions in inches unless otherwise noted [all dimensions in brackets are in millimeters]

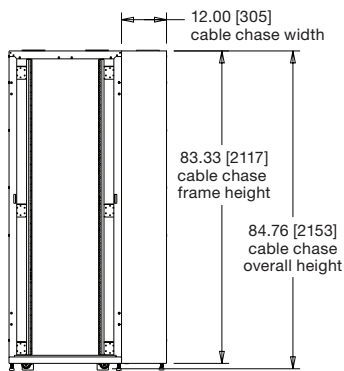
top view



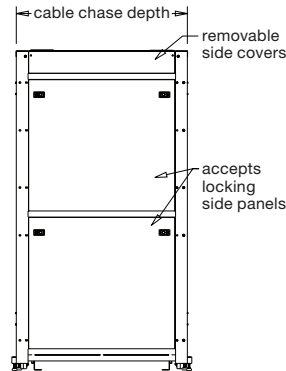
rear view



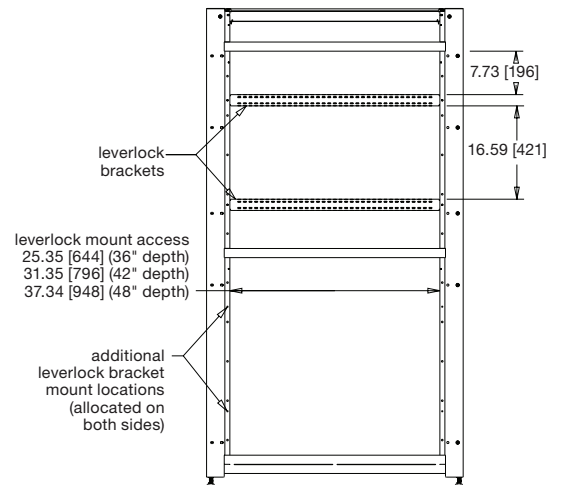
front view



right side



cable chase side view (without side panels)



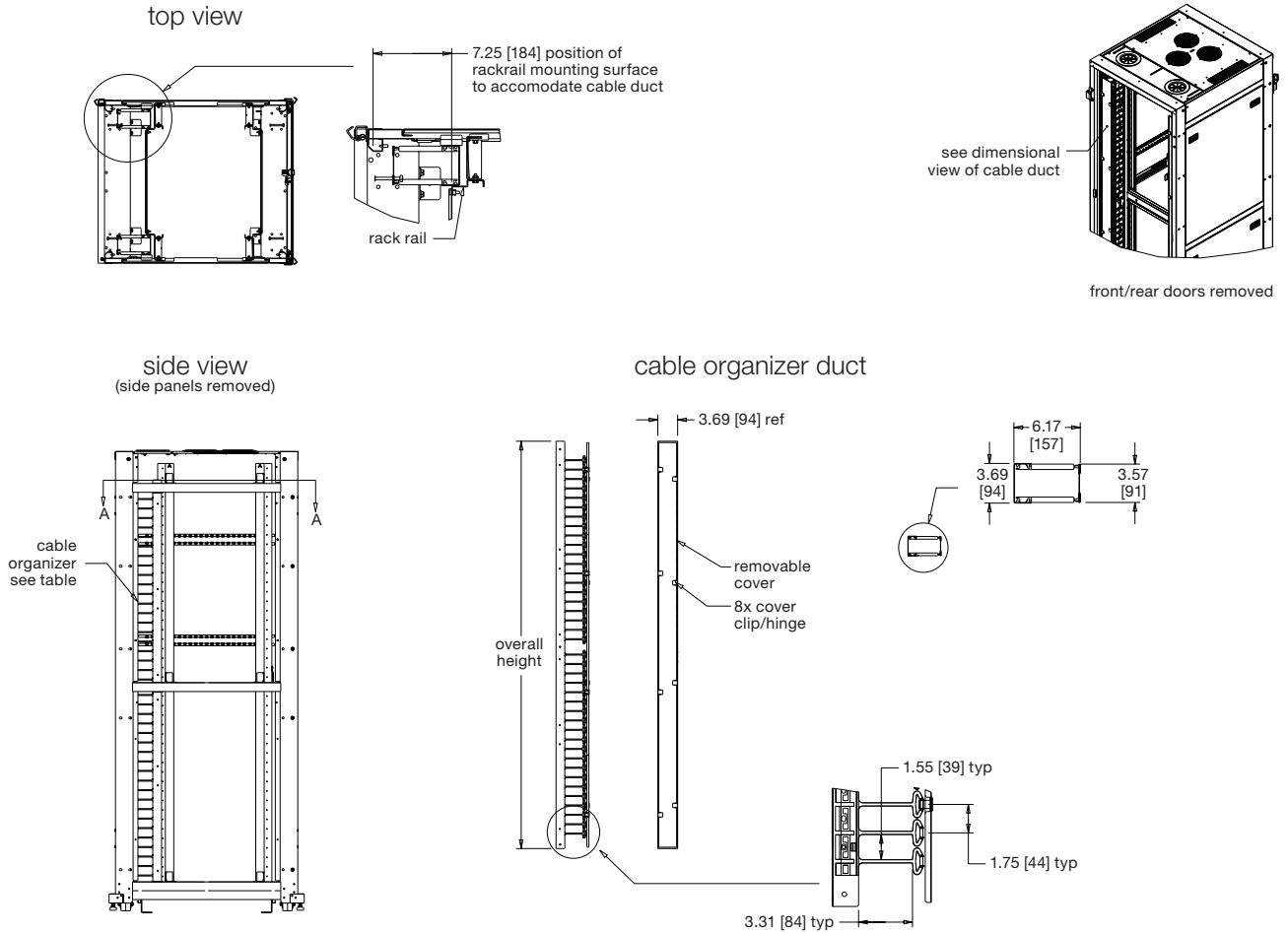
- Notes:
1. cable chase shown mounted on a SNE rack enclosure
  2. cable chase can be mounted on left or right side of rack

Cable Chase Part Number	Cable Chase Depth	1" & 1-1/2" LKO (Qty)	4" & 5" LKO (Qty)	Fits SNE Racks
SNE-CCE12-4536	36.00 [914]	4	1	SNEXX-4536-XX
SNE-CCE12-4542	42.00 [1067]	4	1	SNEXX-4542-XX
SNE-CCE12-4548	48.00 [1219]	5	2	SNEXX-4548-XX

# SNE Series

## cable duct basic dimensions

all dimensions in inches unless otherwise noted [all dimensions in brackets are in millimeters]



**Notes:**

1. cable duct can be installed at each inside corner of the rack.
3. cable ducts are only available for 27" and 30" wide racks

Cable Duct Part Number	Overall Height	Rackspaces
SNE-42DUCT-4X6	70.50 [1791]	42 space
SNE-45DUCT-4X6	75.75 [1924]	45 space
SNE-42DUCT-4X6-U	70.50 [1791]	42 space
SNE-45DUCT-4X6-U	75.75 [1924]	45 space

SNE-XXDUCT-2X6-U models only available pre-installed

what **great systems** are built on.™

A brand of **legrand**



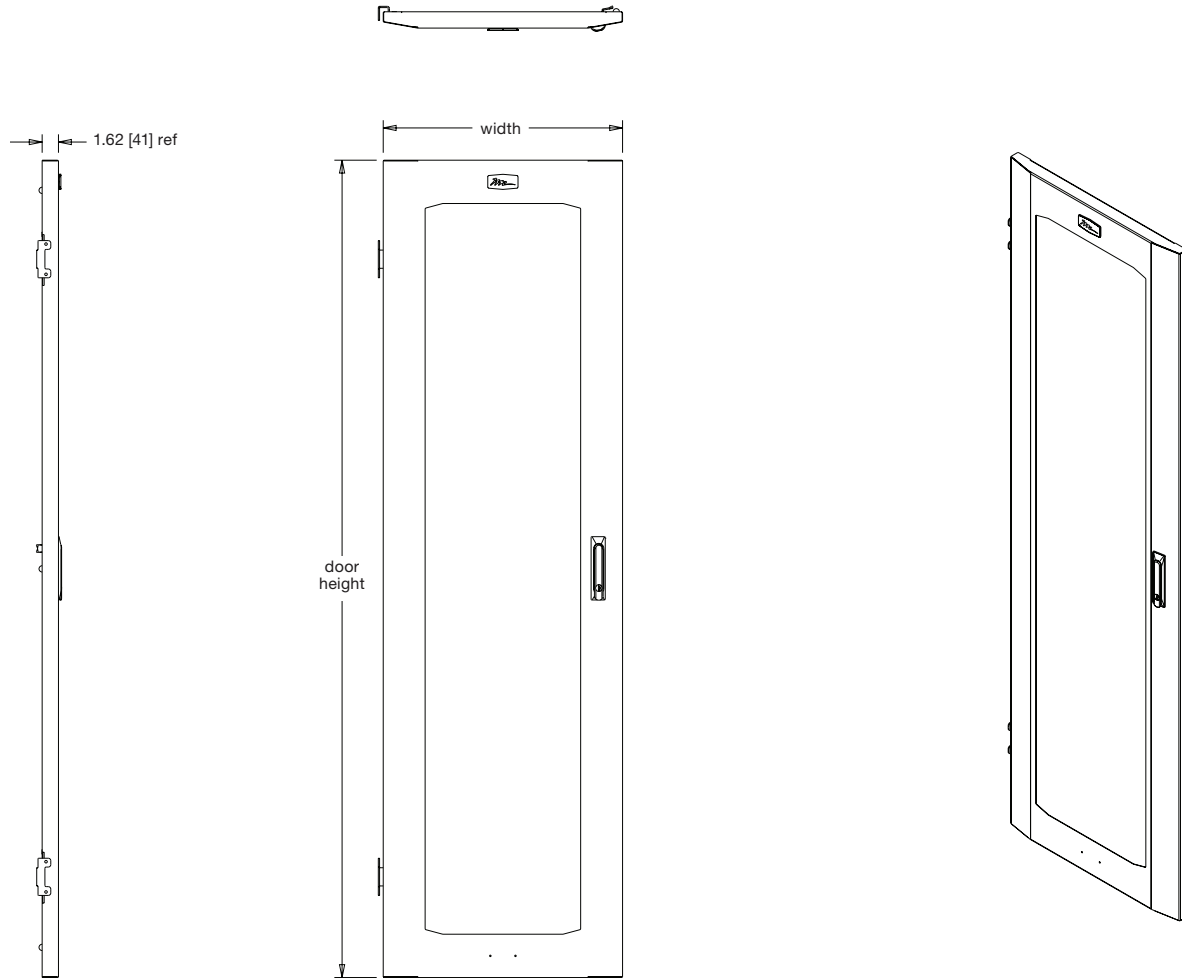
**Middle Atlantic Products**

middleatlantic.com | middleatlantic.ca

# SNE Series

## doors basic dimensions

all dimensions in inches unless otherwise noted [all dimensions in brackets are in millimeters]



Rackspaces	Door Height	24.00 [609] Width 70% Vented Door	27.60 [701] Width 70% Vented Door	30.00 [762] Width 70% Vented Door	24.00 [609] Width Plexi Door	27.60 [701] Width Plexi Door	30.00 [762] Width Plexi Door
24 space	44.58 [1132]	SNE24-LVD-24-U	-	-	SNE24-PD-24-U	-	-
42 space	76.08 [1932]	SNE24-LVD-42-U	SNE27-LVD-42-U	SNE30-LVD-42-U	SNE24-PD-42-U	SNE27-PD-42-U	SNE30-PD-42-U
45 space	81.33 [2066]	SNE24-LVD-45-U	SNE27-LVD-45-U	SNE30-LVD-45-U	SNE24-PD-45-U	SNE27-PD-45-U	SNE30-PD-45-U

what **great systems** are built on.™

A brand of **legrand**

**Middle Atlantic Products**

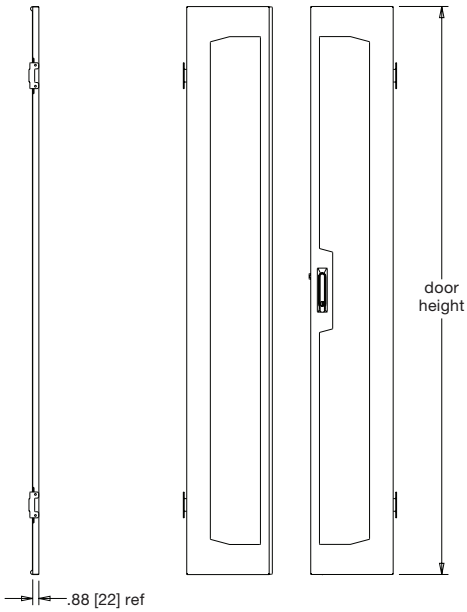
[middleatlantic.com](http://middleatlantic.com) | [middleatlantic.ca](http://middleatlantic.ca)

# SNE Series

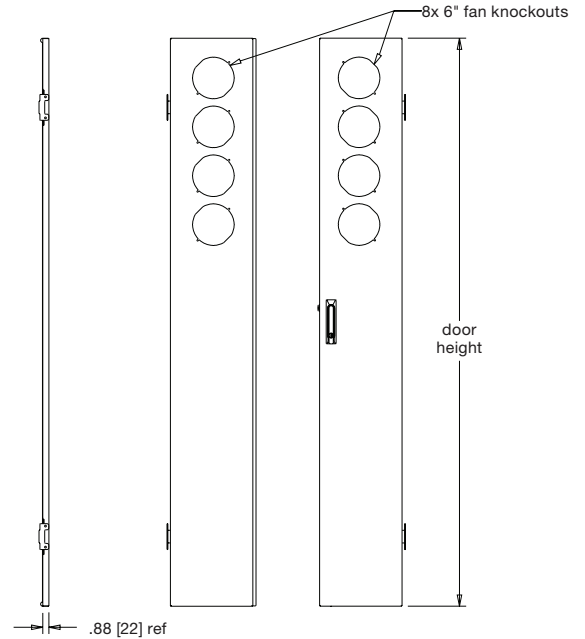
## split doors basic dimensions

all dimensions in inches unless otherwise noted [all dimensions in brackets are in millimeters]

vented split door



solid and 6" fans split door



Rackspaces	Door Height	24.00 [609] Width 70% Vented Split Door	27.60 [701] Width 70% Vented Split Door	30.00 [762] Width 70% Vented Split Door	24.00 [609] Width Solid Split Door	27.60 [701] Width Solid Split Door	30.00 [762] Width Solid Split Door	24.00 [609] Width 6" Fans 1760CFM Split Door	27.60 [701] Width 6" Fans 1760CFM Split Door	30.00 [762] Width 6" Fans 1760CFM Split Door
24 space	44.58 [1132]	SNE24-CLVD-24-U	-	-	SNE24-CSD-24-U	-	-	SNE24-CFD-24-U	-	-
42 space	76.08 [1932]	SNE24-CLVD-42-U	SNE27-CLVD-42-U	SNE30-CLVD-42-U	SNE24-CSD-42-U	SNE27-CSD-42-U	SNE30-CSD-42-U	SNE24-CFD-42-U	SNE27-CFD-42-U	SNE30-CFD-42-U
45 space	81.33 [2066]	SNE24-CLVD-45-U	SNE27-CLVD-45-U	SNE30-CLVD-45-U	SNE24-CSD-45-U	SNE27-CSD-45-U	SNE30-CSD-45-U	SNE24-CFD-45-U	SNE27-CFD-45-U	SNE30-CFD-45-U

what **great systems** are built on.™

A brand of **legrand**

**Middle Atlantic Products**

middleatlantic.com | middleatlantic.ca