

INSTRUCTION SHEET
MPR SERIES
MPR-XA RACEWAY



THANK YOU

Thank you for purchasing the MPR Modular Power Raceway. Please read these instructions thoroughly before installing or assembling this product.

PRODUCT FEATURES

Build a NRTL Listed custom power strip with off-the-shelf parts.

- Accepts 15 Amp, 20 Amp, 15 and 20 Amp Isolated Ground and 30 Amp modules.
- Raceway available in any of (4) standard lengths.
- Sequencing and Fan Control modules available.

**MIDDLE
ATLANTIC**

A brand of **legrand**

I-00544

Rev B

⚠ DANGEROUS VOLTAGE

The lightning flash with the arrowhead symbol, within an equilateral triangle is intended to alert the user to the presence of uninsulated dangerous voltage within the product's enclosure that may be of sufficient magnitude to constitute a risk of electric shock to persons

- ⚠** Equipment contains hazardous voltages - to prevent the risk of electrocution, installation and service must be performed by qualified personnel only.
- ⚠** For use indoors in dry locations only.
- ⚠** Unit may contain multiple feeder circuits. Disconnect all feeder circuits prior to replacing modules.
- ⚠** Individual modules do not contain any user serviceable parts inside.
- ⚠** Power circuits do not contain internal overload protection. Branch circuit overload protection required.

NOTE: The MPR Series Raceway is marked in 2" increments for ease of locating modules.

ASSEMBLY

1. Determine module layout prior to installation.

- Interconnect modules with our unique genderless connector, part numbers J-xX6/T-xX6 (except for the M-XXTL-HW models). Quick and safe - no hardwiring required. **(FIGURE A)**
- Jumpers can be attached to either common connector. For ease of cable management connect cabling as shown. **(FIGURE B)**

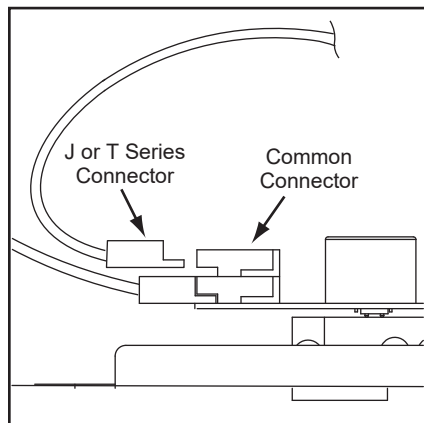


FIGURE A

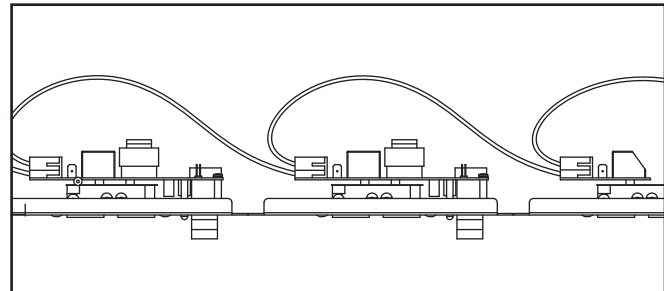


FIGURE B

2. Modules interconnect using J-Series jumpers. When connecting modules on same circuit:

- Use J-12 jumpers for up to 8" increments.
- Use J-24 jumpers for up to 20" increments.
- Use J-72 jumpers for above 20" increments.

3. Connect one T-Series tail to the first module (nearest the J-Box) of each circuit. Remove appropriate electrical knockouts in the J-Box for connecting conduit (feeder circuits).

- T-series tails are available in 24" & 80". Choose the proper length, depending on the distance from the J-Box to the corresponding module. Excess tail conductor length may be cut during installation.

4. Economical M-Series modules can be controlled by RLM Series modules on the same circuit, utilizing the JMS jumper, part number J-xX6 (sold separately).

NOTE: The raceway has a 3/4" - 1" knockout on one end, and a 1-1/4" - 1-1/2" knockout on the opposite end.

GROUNDING

All module ground wires **MUST** be connected to the facility ground and bonded to ground stud.
(For isolated ground modules, see below.)

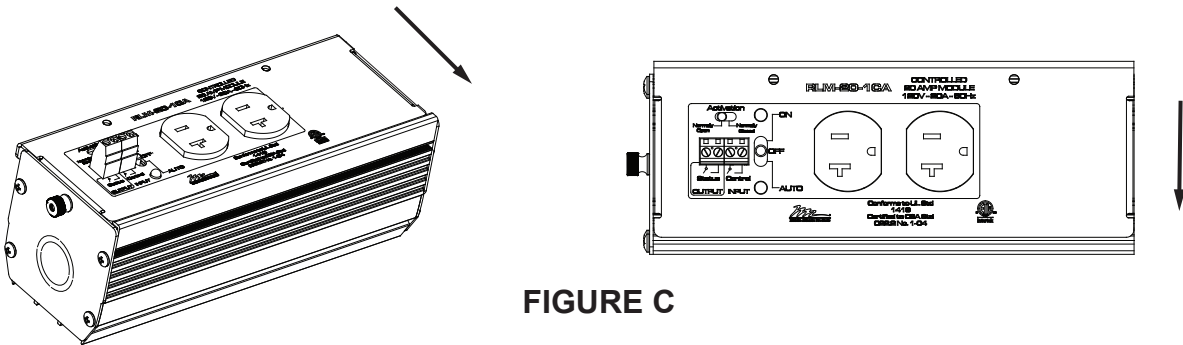
ISOLATED GROUND MODULES

Isolated Ground Modules require a separate isolated ground conductor (from source supply) directly to the green module wire. This grounding conductor shall not be connected to ground stud in the J-Box. For safety, the MPR raceway **MUST** be grounded to standard building ground. This can be accomplished with metallic conduit connection and/or grounding conductor. This grounding conductor (if provided) must terminate on the grounding stud in the J-Box only.

INSTALLATION

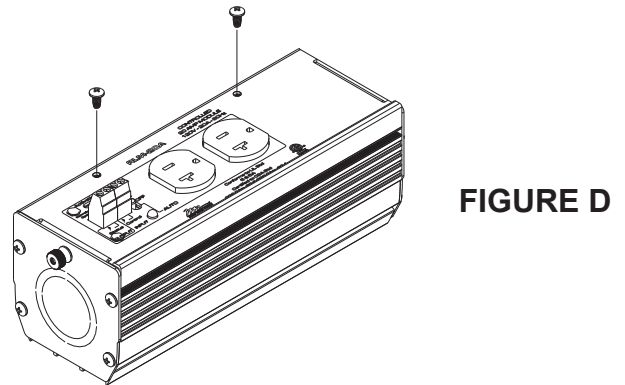
1. Slide the modules into raceway. (**FIGURE C**)

NOTE: Use MPR-BLxA blank panels (sold separately) for unused openings in raceway.

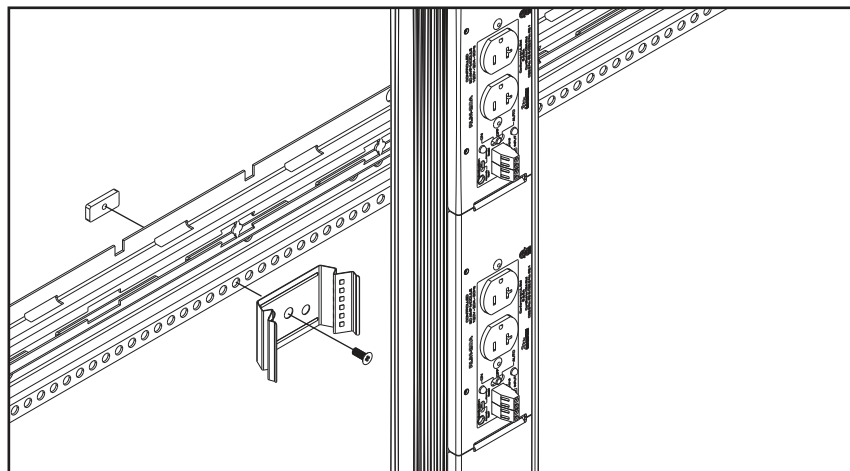


2. Screw the module to the raceway. (**FIGURE D**)

**USE A HAND-HELD
SCREWDRIVER AND DO
NOT OVERTIGHTEN!**



3. Install raceway as shown. (**FIGURE E**)

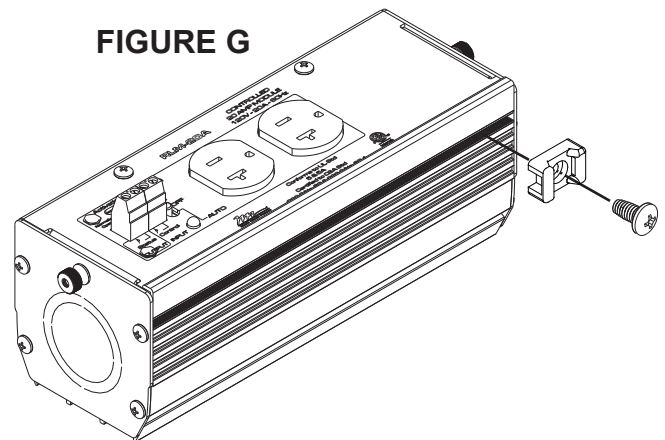
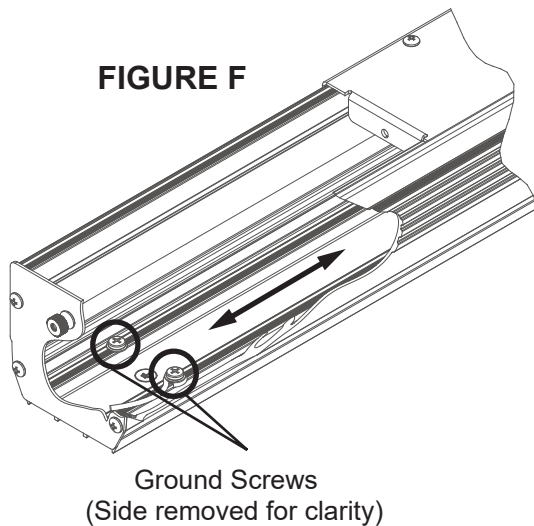


INSTALLATION (CONTINUED)

4. Ground wire must be connected to the ground screw. (**FIGURE F**)
5. Create a service loop BEFORE installing the ground wire.
6. Connect T-Series tails to branch circuit conductors using installer provided wire connectors.

NOTE:

- There are two grounding screws in the J-box of the raceway. One is for module grounding, the other is for facility grounding. They are interchangeable, and can be moved up or down the channel.
- Modules come with a tie saddle and screw for cable management. The tie saddle can be mounted to the outer/uppermost slot as shown. (**FIGURE G**)



WARRANTY

For warranty information, refer to www.middleatlantic.com/terms.

Corporate Headquarters

Corporate Voice: 973-839-1011 - Fax: 973-839-1976 / International Voice: +1 973-839-8821 -
Fax: +1 973-839-4982
www.middleatlantic.com - info@middleatlantic.com

Middle Atlantic Canada

Voice: 613-836-2501 - Fax: 613-836-2690 / ca.middleatlantic.com -
customerservicecanada@middleatlantic.ca

Factory Distribution

USA: NJ - CA - IL Canada: ON - BC

At Middle Atlantic Products we are always listening. Your comments are welcome.

Middle Atlantic Products is an ISO 9001 and ISO 14001 Registered Company.