

BGR SERIES

VENT BLOCK KIT

FUNCTION

Vent Blockers are used to ensure proper active thermal management when used in conjunction with exhaust fans. They are designed to prevent the short circuiting (re-circulation) of air flow. If a fan is placed near an intake vent, it will pull some of the outside air instead of all heated interior enclosure air.

NOTE

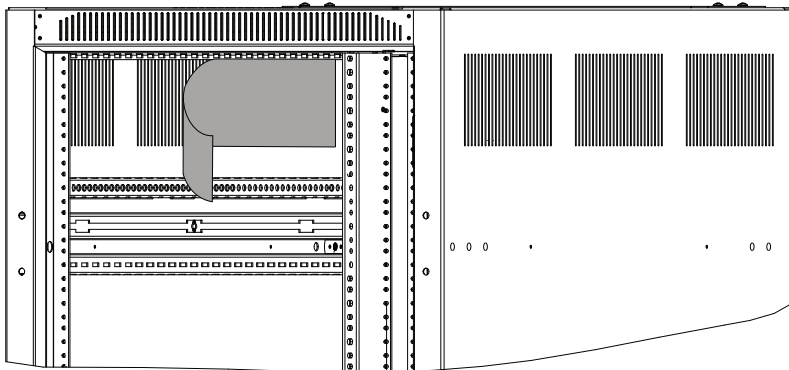
Vent Blockers are magnetized on one side only, for increased adhesion.

NOTE

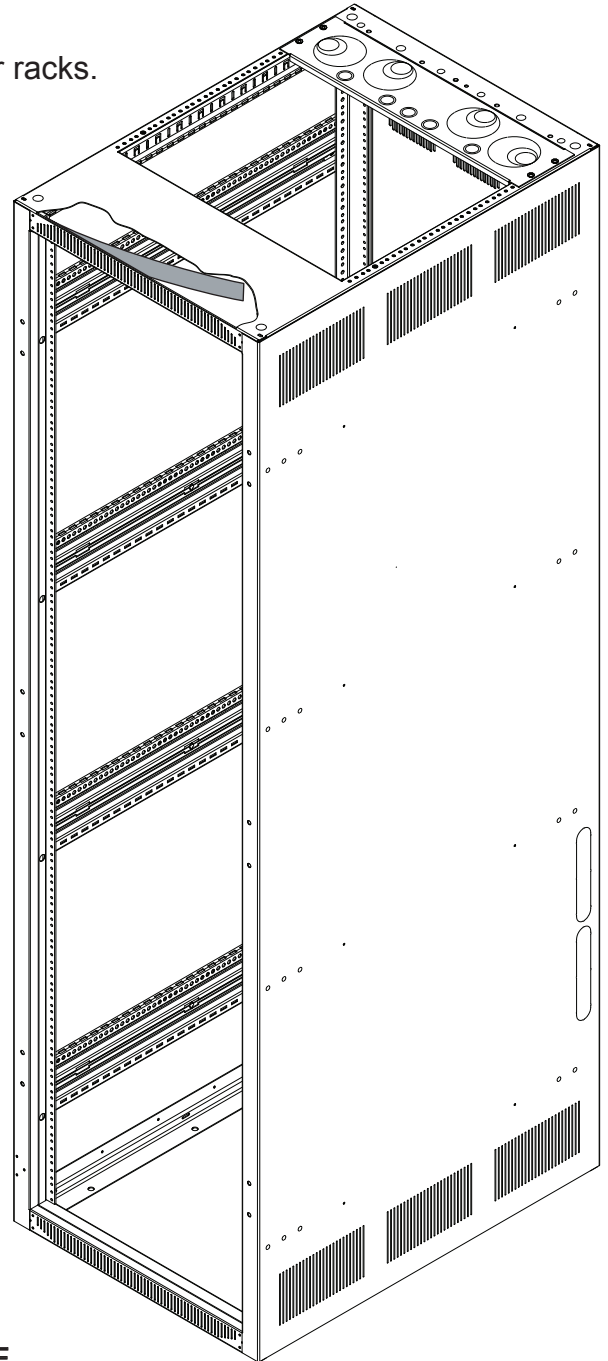
Vent Blockers are sized for 32" overall depth BGR racks.
A cut line is provided on blockers when needed for shallower racks.

INSTALLATION

Place magnetic Vent Blockers over upper vents only.



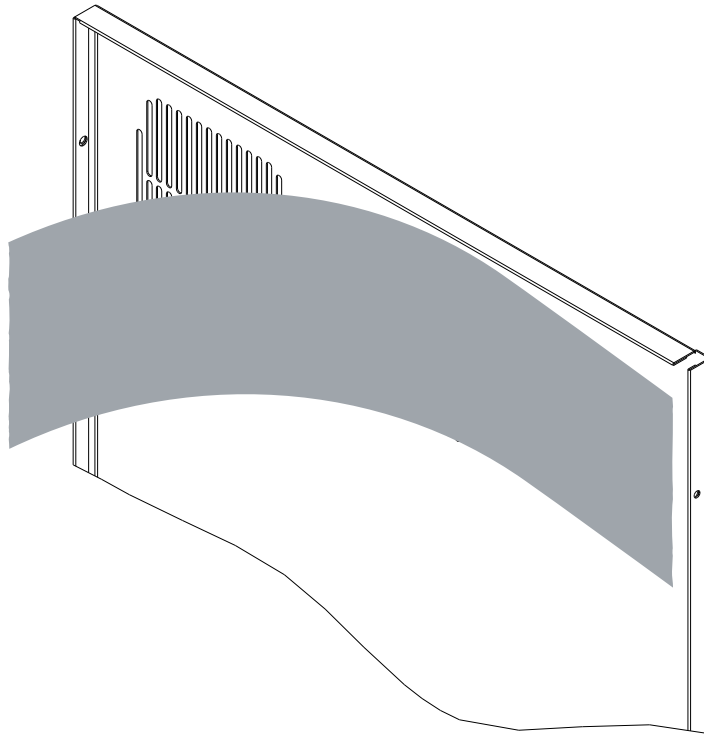
**SIDE VENT BLOCKERS APPLY TO
STAND ALONE MODELS ONLY**



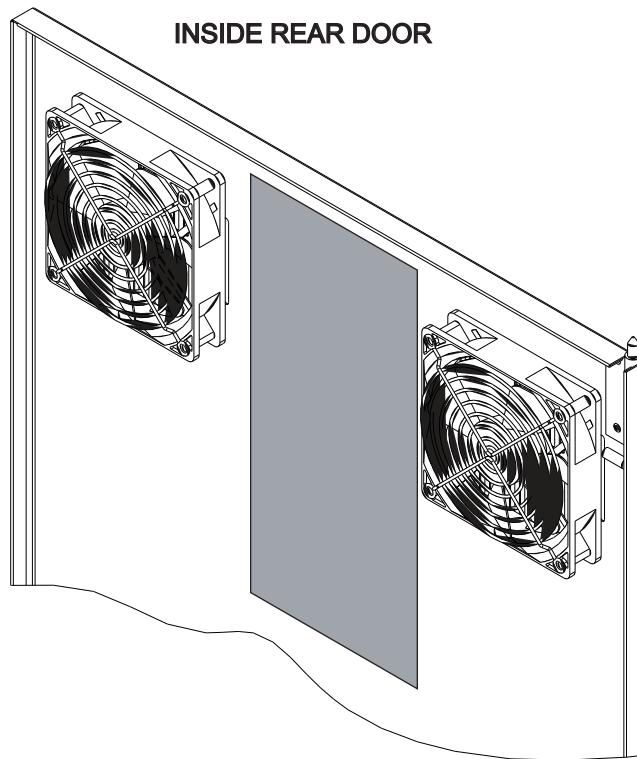
INSIDE ENCLOSURE

INSTALLATION (CONTINUED)

Place magnetic Vent Blockers over upper vents on rear door



INSIDE REAR DOOR



**TURN 90° WHEN USED WITH FANS
INSIDE REAR DOOR**