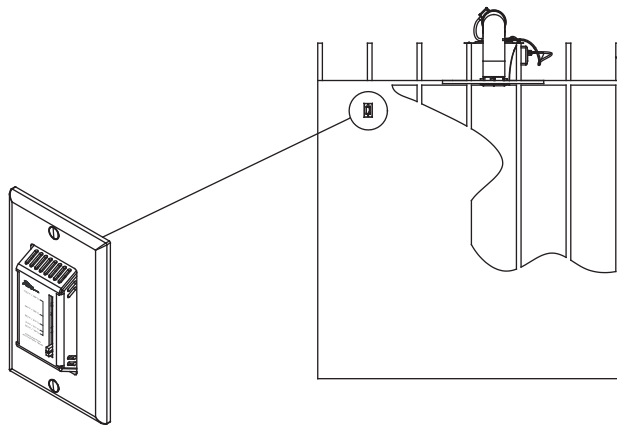


## FINISHED INSTALLATION



### WARRANTY

Middle Atlantic Products, Inc. (the "Company") warrants the THERM-A to be free from defects in material or workmanship under normal use and conditions for a period of (3) three years from date of shipment by the company.

The Company's entire liability to the purchaser, and the purchaser's (or any other party's) sole and exclusive remedy, under this warranty shall be limited, at the Company's option, to either (a) return of and refund of the price paid for, or (b) repair or replacement at the Company's factory of the products purchased, or any part or parts thereof, which the Company has determined to be defective after inspection thereof at the Company's factory.

This warranty does not cover damage due to acts of God, accident, misuse, abuse or negligence by parties other than the Company, or any modification or alteration of the products. In addition, this warranty does not cover damage due to improper handling, assembly, installation or maintenance.

THIS WARRANTY IS IN LIEU OF ALL OTHER WARRANTIES OF ANY KIND, EITHER EXPRESSED OR IMPLIED, INCLUDING, BUT NOT LIMITED TO, IMPLIED WARRANTIES OF MERCHANTABILITY AND FITNESS FOR A PARTICULAR PURPOSE.

TO THE MAXIMUM EXTENT PERMITTED BY APPLICABLE LAW, IN NO EVENT SHALL THE COMPANY BE LIABLE FOR ANY SPECIAL INCIDENTAL, INDIRECT, OR CONSEQUENTIAL DAMAGES WHATSOEVER (INCLUDING, WITHOUT LIMITATION, DAMAGES FOR LOSS OF BUSINESS PROFITS, BUSINESS INTERRUPTION OR ANY OTHER PECUNIARY LOSS) ARISING OUT OF THE USE OF THE PRODUCTS PURCHASED, EVEN IF THE COMPANY HAS BEEN ADVISED OF THE POSSIBILITY OF SUCH DAMAGES. THE COMPANY'S LIABILITY TO THE PURCHASER (OR ANY OTHER PARTY) HEREUNDER, IF ANY, SHALL IN NO EVENT EXCEED THE PURCHASE PRICE OF THE PRODUCTS PAID TO THE COMPANY.

### Corporate Headquarters

Corporate Voice 973-839-1011 - Fax 973-839-1976  
International Voice +1 973-839-8821 - Fax +1 973-839-4982  
middleatlantic.com - info@middleatlantic.com

### Middle Atlantic Canada

Voice 613-836-2501 - Fax 613-836-2690  
middleatlantic.ca - customerservicecanada@middleatlantic.ca

### Factory Distribution

USA: NJ - CA - IL Canada: ON - BC

At Middle Atlantic Products we are always listening. Your comments are welcome.

Middle Atlantic Products is an ISO 9001 Registered Company.



30% Recycled Paper

## INSTRUCTION SHEET THERM-A ANALOG THERMOSTAT

Optional thermostat for user defined control of on / off temperature with the DUCT-COOL series

### PARTS

- THERMOSTAT / MOUNTING BRACKET COMBO
- WALL PLATE

### INSTALLATION

- 1) Determine mounting location. Mount at highest available location where heat producing equipment is located.
- 2) Cut a hole in the wall, 2-3/16" x 3-5/8". (FIGURE A)

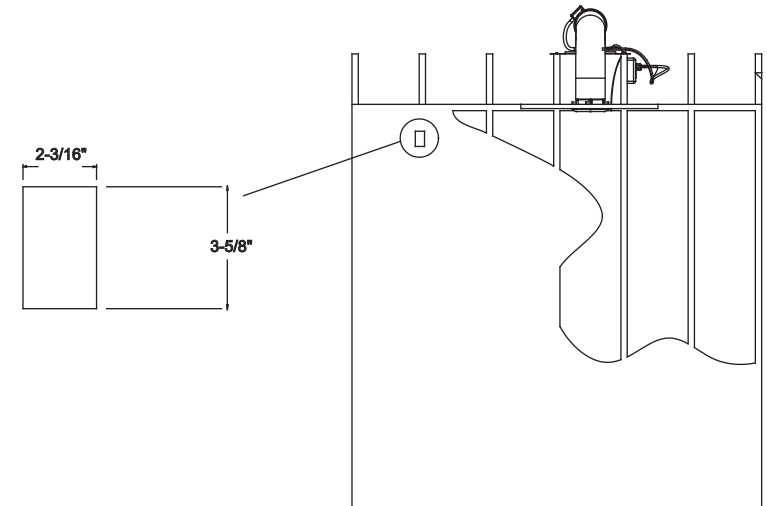


FIGURE A

### TIP

- The Thermostat can be mounted in Middle Atlantic Products DECP-1X Series panels



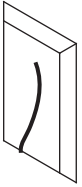
Middle Atlantic Products

I-00280

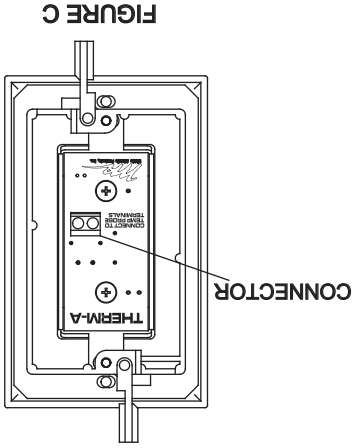
Rev A

**INSTALLATION CONTINUED**

3) Run Temperature Probe Wire from the DUCT-COOL into the hole cut for the THERM-A unit. (FIGURE B)



**FIGURE B**

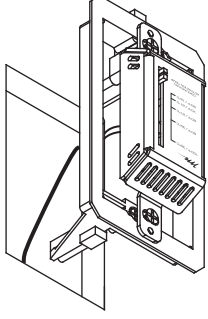


**FIGURE C**

4) Cut the probe (tip) off the end of the Temperature Probe Wire and separate the wires at the end as required.

5) Strip approximately 1/16" off the ends and install into the connector on the back of the thermostat. (FIGURE C)

**NOTE:** There is no wiring polarity



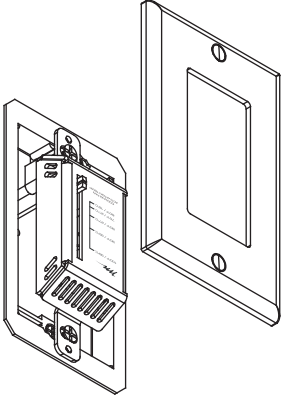
**FIGURE D**

6) Dress wires accordingly and insert Thermostat / Mounting Bracket Combo into the opening. (FIGURE D)

**INSTALLATION CONTINUED**

7) Tighten the two screws on the Mounting Bracket until snug. (FIGURE E)  
**DO NOT OVERTIGHTEN**

8) Center the Thermostat and fully tighten screws. (FIGURE E)



**FIGURE E**

10) Adjust temperature accordingly.

**TIP**

- 85° is the recommended temperature for inside the enclosure to ensure optimum equipment life.

9) Install Wall Plate. (FIGURE F)

**FIGURE F**

**FIGURE E**

