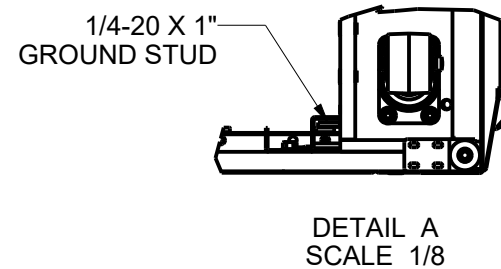
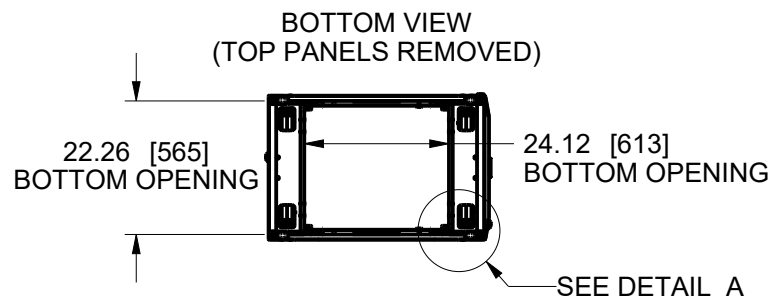
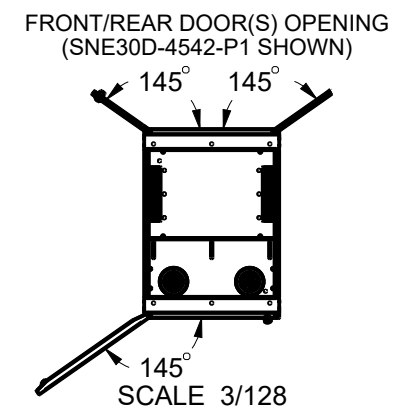
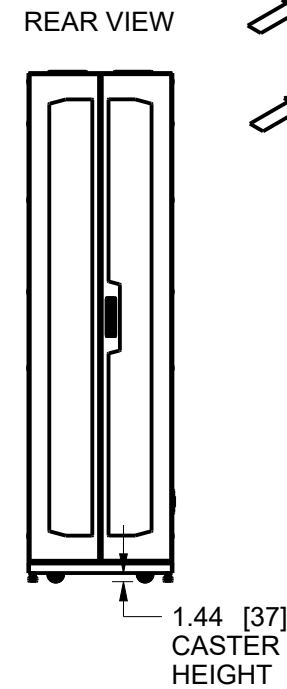
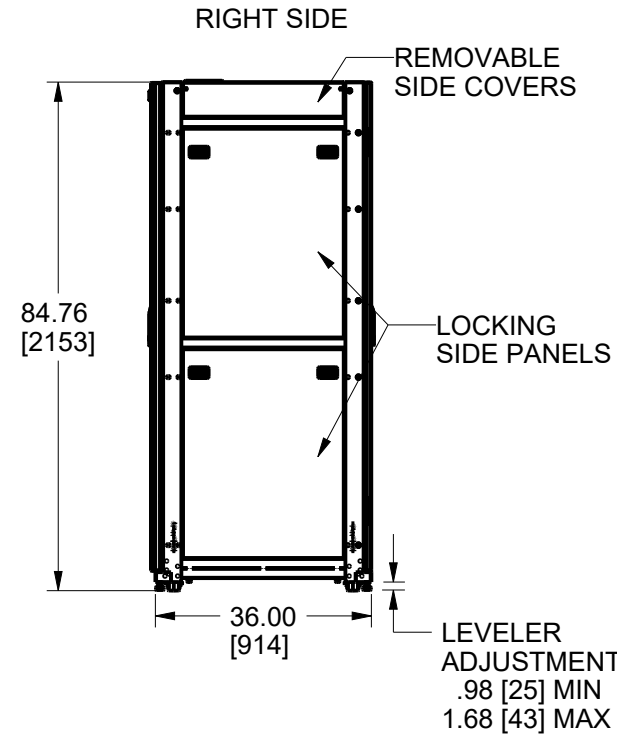
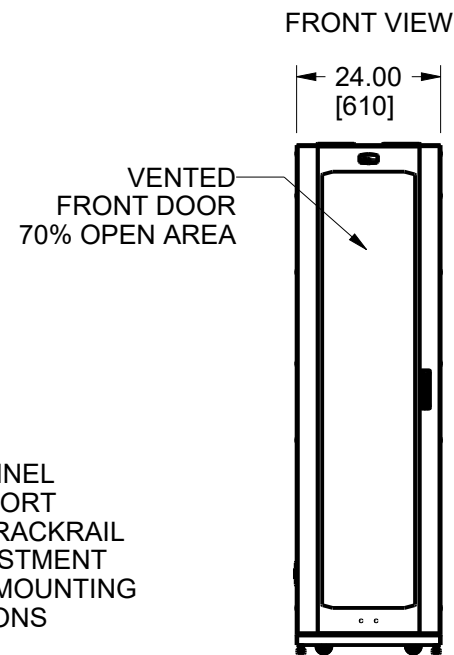
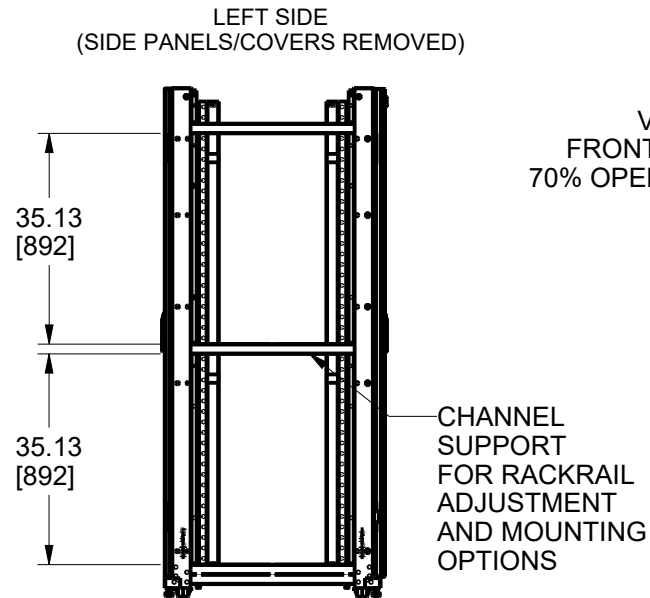
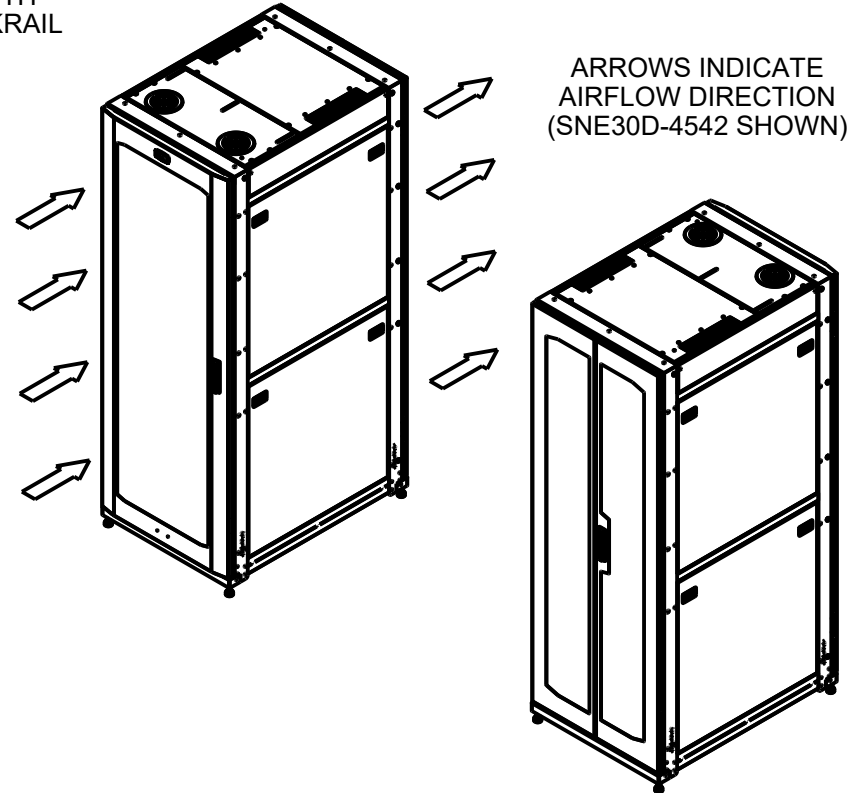
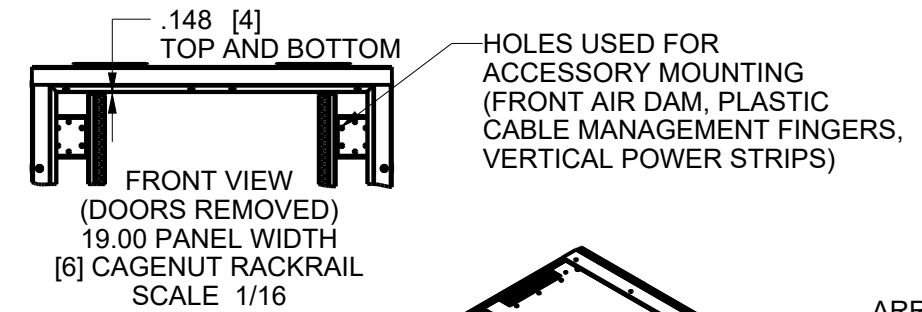
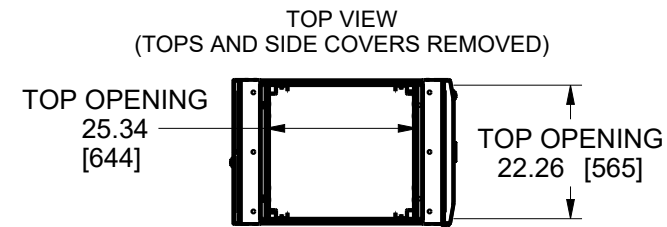
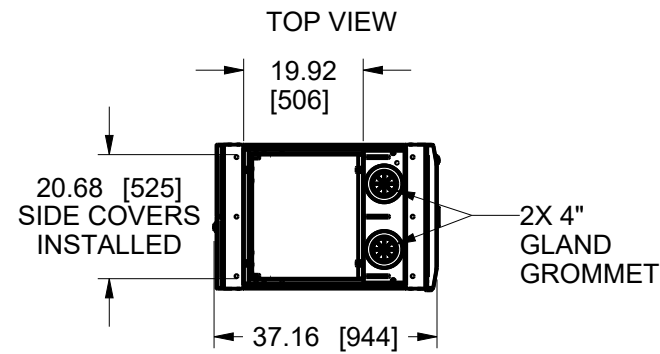


NOTES:  
 1. ALL DIMENSIONS SHOWN IN FORMAT: INCHES [MM]  
 2. FRONT DOOR, REAR DOORS, AND SIDE PANELS ARE KEYED THE SAME.

REV	DESCRIPTION	REV BY	REV DATE	APP'D BY	DATE APP.
A	PRODUCTION RELEASE	///	////	RA	12/31/21



PROJECTION: 1" ANGLE	UNLESS OTHERWISE SPECIFIED, ALL DIMENSIONS ARE IN INCHES
SCALE = 1/32	GENERAL TOLERANCES:
SIZE B SHEET 1 OF 2	DEC: 1 PLACE +/-0.1 ANGLE: +/-1°
	2 PLACE +/-0.03 FRAC: +/-1/32
	3 PLACE +/-0.010
	HOLE SIZE: +/-0.002

APPROVALS	DATE
MODELED SB	12/20/21
DRAWN SB	12/15/21

**MIDDLE ATLANTIC**

TITLE	SNE DIGITAL ENCLOSURE
DWG NO.	SNE24D-4536-P1_TECH_SPEC
DWG REV	A

THIS DRAWING CONTAINS TRADE INFORMATION DEEMED TO BE CONFIDENTIAL AND PROPRIETARY PROPERTY OF MIDDLE ATLANTIC PRODUCTS, INC. AND IS TO BE USED ONLY FOR THE PURPOSES FOR WHICH IT IS SUBMITTED AND FURTHER SHALL NOT BE COPIED IN WHOLE OR PART WITHOUT WRITTEN PERMISSION FIRST OBTAINED FROM MIDDLE ATLANTIC PRODUCTS, INC.

1

2

3

4

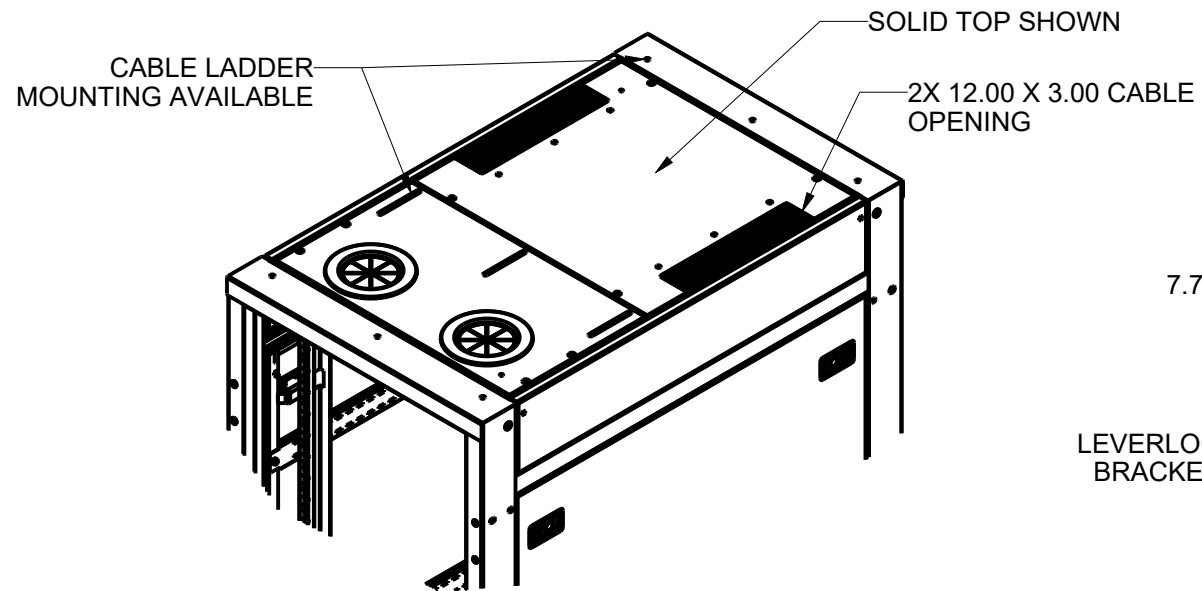
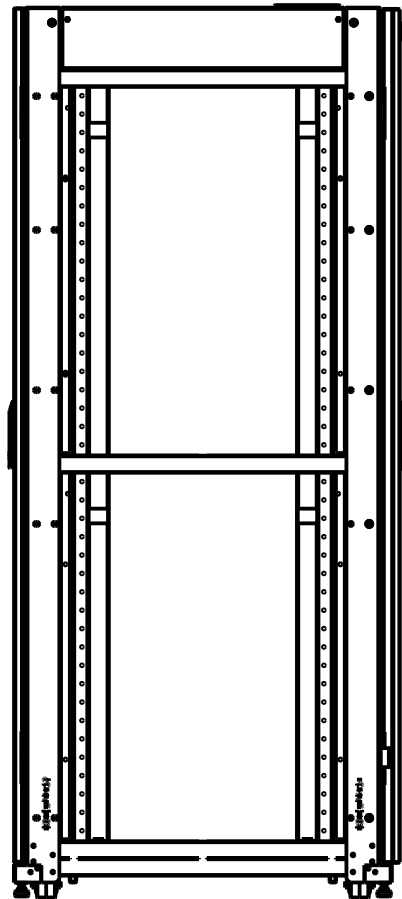
5

6

7

8

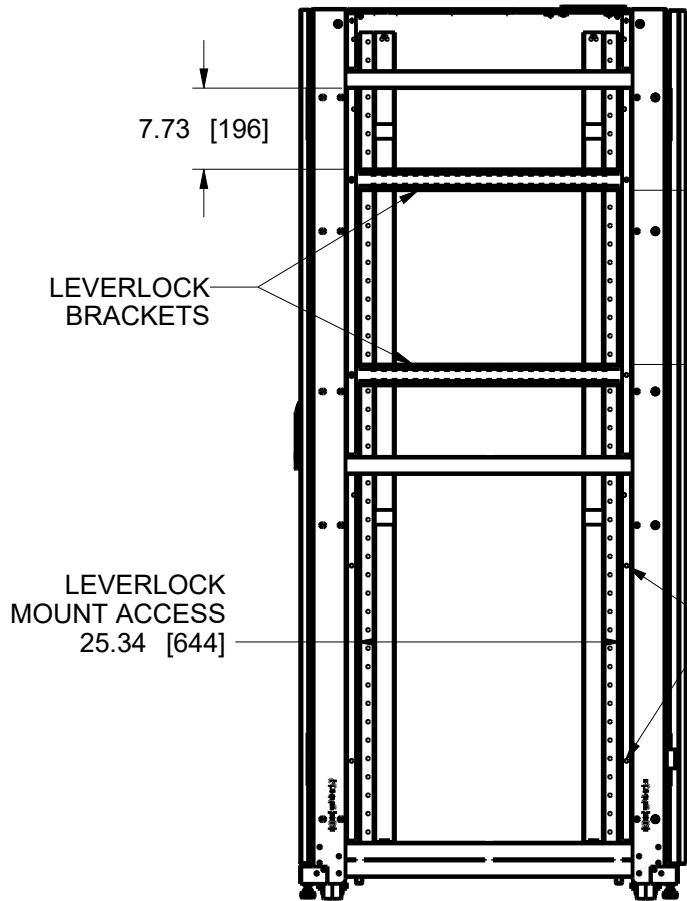
SIDE VIEW  
(LEVERLOCK BRACKETS REMOVED)



SOLID TOP SHOWN

2X 12.00 X 3.00 CABLE  
OPENING

CABLE LADDER  
MOUNTING AVAILABLE



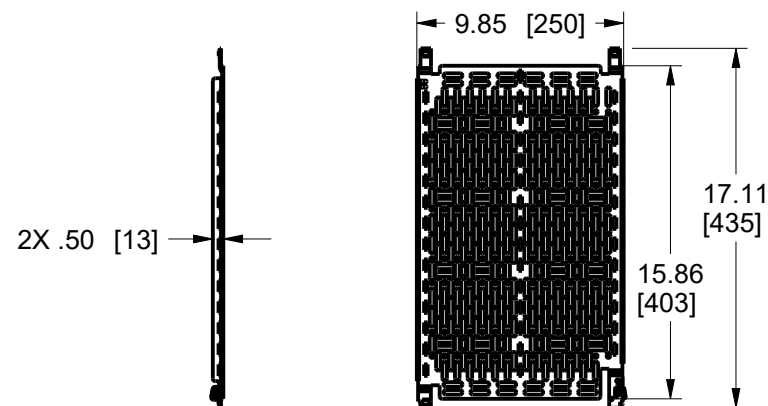
7.73 [196]

LEVERLOCK  
BRACKETS

16.59 [421]  
MOUNTS  
21" VERTICAL  
LEVERLOCK

LEVERLOCK  
MOUNT ACCESS  
25.34 [644]

ADDITIONAL LEVERLOCK  
BRACKET MOUNTING  
LOCATIONS



LEVERLOCK DETAIL  
LL-VP2110 SHOWN  
(2 QTY INCLUDED)  
SCALE 7/64

PROJECTION: 1" ANGLE
SCALE = 7/128
SHEET 2 OF 2

UNLESS OTHERWISE SPECIFIED, ALL DIMENSIONS ARE IN INCHES  
 GENERAL TOLERANCES:  
 DEC: 1 PLACE +/-0.1 ANGLE: +/-1°  
 2 PLACE +/-0.03 FRAC: +/-1/32  
 3 PLACE +/-0.010  
 HOLE SIZE: +/-0.002

APPROVALS	DATE
MODELED SB	12/20/21
DRAWN SB	12/15/21

**MIDDLE ATLANTIC**

TITLE SNE DIGITAL ENCLOSURE

DWG NO. SNE24D-4536-P1\_TECH\_SPEC

DWG REV A