

VWM Series

vertical wall cabinet

versatile low profile wall cabinet, with comprehensive flexibility to fit system needs today and as technology evolves

features:

- Configurable platform maximizes space and expertly handles the highest density of components
- Component mounting flexibility to tailor the cabinet for the needs of the system. Modular options for mounting equipment of all sizes and form factors:
 - Rackrail –fixed and pivoting rackrail options that include 10-32 threaded and cage nut mounting options
 - Lever Lock™ to mount small devices including extenders, power supplies, electronic door lock controllers and compact power solutions in the cabinet's backpan or door
 - Backpans available in various overall depths (10" or 16") and overall heights (36" and 42")
- Two door options to enable the desired level of system security. Both accommodate electronic locks and integrators can determine the client's level of access to the system:
 - Split door enables end user access to controls and features a locking angled plexiglass top for installations where visibility is desired or solid top for those where it should be restricted
 - Solid door prevents any user access or visibility
- Design the VWM cabinet to the needs of the specific job or application at www.middleatlantic.com or choose a pre-configured model.
- Available in black, white and putty finish
- Backpan shall have a 150 lb. weight capacity, optional door shall have a 30 lb. weight capacity



specifications:

EIA compliant 19" vertical wall cabinet shall be Middle Atlantic Products model # VWM-___ (refer to chart). Overall dimensions shall be ___" W x ___" H x ___" D (refer to chart). VWM Series shall be fully welded, constructed of steel and finished in a durable ___ (black, putty, white, refer to chart) powder coat. VWM Series shall have a weight capacity of 150 lbs. VWM series shall have a backpan capable of accommodating LeverLock small device mounting brackets, power distribution, fixed rail shall have a weight capacity of 150 lbs. and pivoting rail shall have a weight capacity of 20 lbs. with ___ (refer to chart) rackspace, all rail to be 10-32 threaded and cage nut in universal EIA spacing with black e-coat finish. VWM Series Rackrail shall be adjustable left to right and top to bottom within the constraints of the backpan mounting positions and provide a maximum usable depth of ___" (refer to chart). VWM series shall include a 2-gang electrical box and 1/4-20 grounding and bonding stud. VWM Series backpan shall have 4 qty 4-1/2" fan knockouts. VWM Series cable management features shall include abundant cable tie points and knockouts on top, bottom and sides for electrical connections. VWM Series shall accept split front door with solid or pexiglass pivoting section with each section keyed separately, model # VWM-S_D-___-___ (refer to chart) or solid front door, model # VWM-SD-___-___ (refer to chart). VWM Series front door shall accept Leverlock small device mounting bracket, model # LL-VWM-___S_ (refer to chart) with a weight capacity of 30 lbs. VWM series shall include one pair of power mounting brackets that accept PDT and PD Series slim vertical power. VWM Series shall be available preconfigured, model # VWM-___ and include front door, rackrail, and be finished in a durable ___ powder coat (refer to chart). VWM Series shall be UL Listed to UL 2416 in the US and CSA C22.2 No. 60950-1 in Canada. VWM Series shall be GREENGUARD Gold Certified. VWM Series shall meet the RoHS EU Directive 2011/65/EU. VWM Series shall be manufactured by an ISO 9001 and ISO 14001 registered company. Rack shall be warranted to be free from defects in material or workmanship under normal use and conditions for the lifetime of the product.

Customizable specification clips available at middleatlantic.com



PRODUCT CERTIFIED FOR
LOW CHEMICAL EMISSIONS
UL.COM/GG
UL 2818



options:

- Brush grommet shall be model # VWM-6BR-BP
- Optional bonding kit for UL-2416 (NWIN) compliance shall be PET-K-VWM-FAN when used with fans

what **great systems** are built on.™

A brand of **legrand**

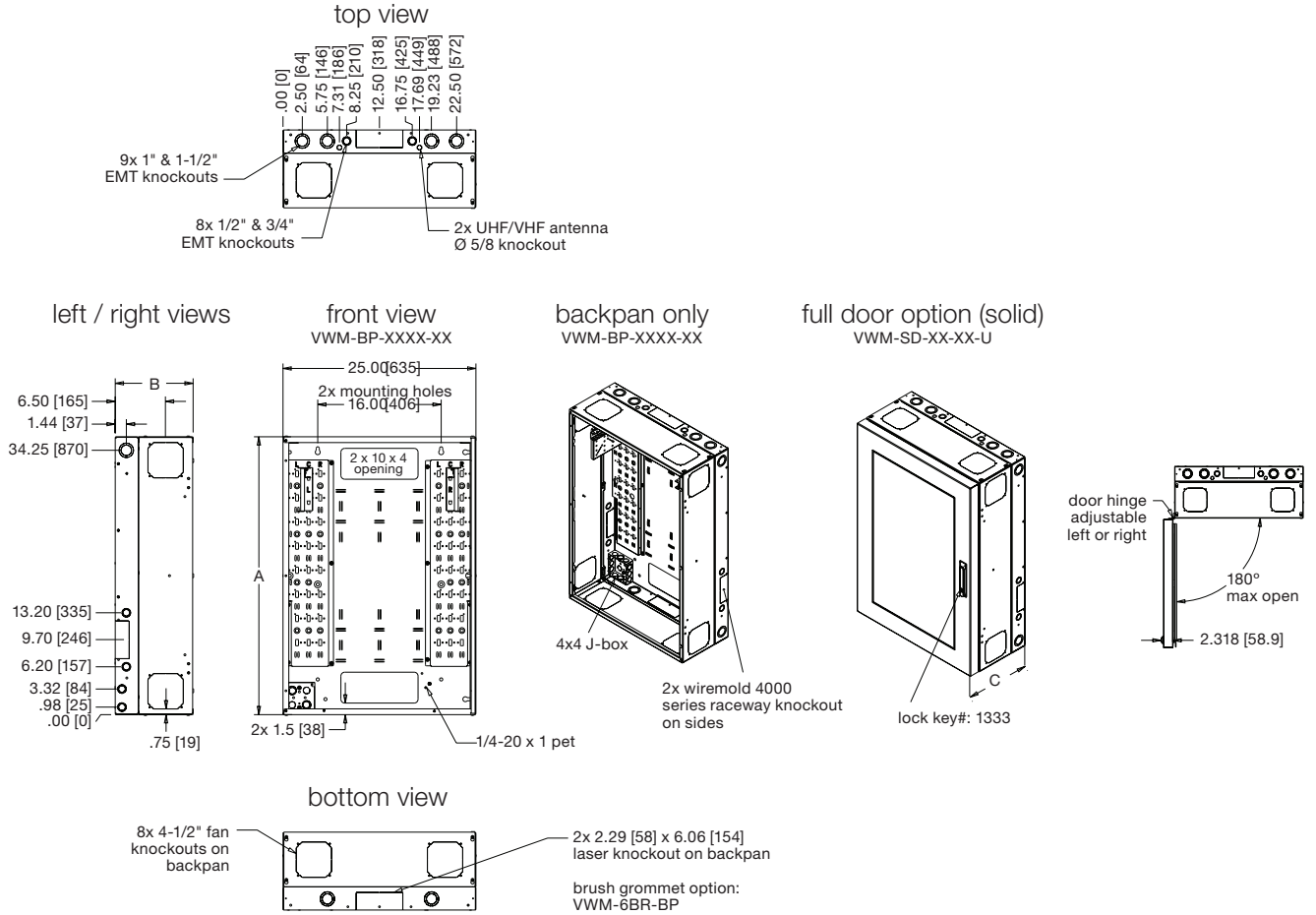
Middle Atlantic Products
middleatlantic.com | middleatlantic.ca

96-01241 / rev g/ 7-9-18

VWM Series

backpan basic dimensions

all dimensions in inches unless otherwise noted [all dimensions in brackets are in millimeters]



BACKPAN OPTIONS			FULL DOOR OPTIONS	
Backpan Part #	A Height	B Depth	Full Door Part #	C Overall Depth w/ Backpan
VWM-BP-3610-XX	36" [914]	10" [254]	VWM-SD-36-XX-U	12" [305]
VWM-BP-3616-XX	36" [914]	16" [406]	VWM-SD-36-XX-U	18" [457]
VWM-BP-4210-XX	42" [1067]	10" [254]	VWM-SD-42-XX-U	12" [305]
VWM-BP-4216-XX	42" [1067]	16" [406]	VWM-SD-42-XX-U	18" [457]

"XX" suffix indicates color selection. PW = Putty, BW = Black, WT = White

what great systems are built on.™



A brand of **legrand**

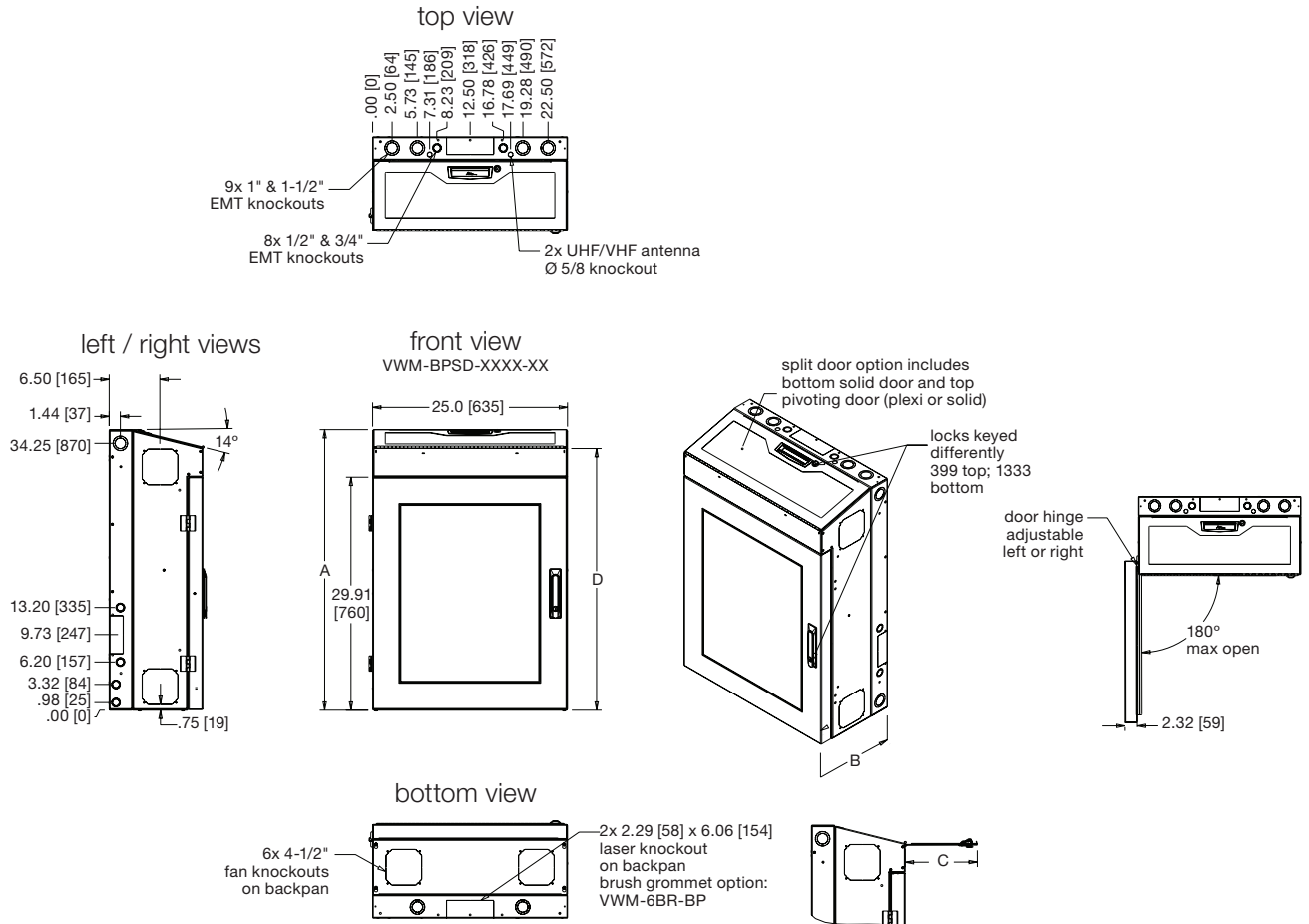
Middle Atlantic Products

middleatlantic.com | middleatlantic.ca

VWM Series

split door & backpan basic dimensions

all dimensions in inches unless otherwise noted [all dimensions in brackets are in millimeters]



Fits X Depth Backpan	Split Door Part #	Pivot Door Option	A Height	B Overall Depth	C Split Door Clearance	D Front Height
VWM-BPSD-3610-XX	VWM-SPD-3610XX-U	plexi	36" [914]	12" [305]	9.20 [234]	33.58 [853]
VWM-BPSD-3616-XX	VWM-SPD-3616XX-U	plexi	36" [914]	18" [457]	15.39 [391]	33.58 [853]
VWM-BPSD-3610-XX	VWM-SSD-3610XX-U	solid	36" [914]	12" [305]	9.20 [234]	33.58 [853]
VWM-BPSD-3616-XX	VWM-SSD-3616XX-U	solid	36" [914]	18" [457]	15.39 [391]	33.58 [853]
VWM-BPSD-4210-XX	VWM-SPD-4210XX-U	plexi	42" [1067]	12" [305]	9.20 [234]	39.58 [1005]
VWM-BPSD-4216-XX	VWM-SPD-4216XX-U	plexi	42" [1067]	18" [457]	15.39 [391]	39.58 [1005]
VWM-BPSD-4210-XX	VWM-SSD-4210XX-U	solid	42" [1067]	12" [305]	9.20 [234]	39.58 [1005]
VWM-BPSD-4216-XX	VWM-SSD-4216XX-U	solid	42" [1067]	18" [457]	15.39 [391]	39.58 [1005]

"XX" suffix indicates color selection. PW = Putty, BW = Black, WT = White

what **great systems** are built on.™

A brand of **legrand**

MA

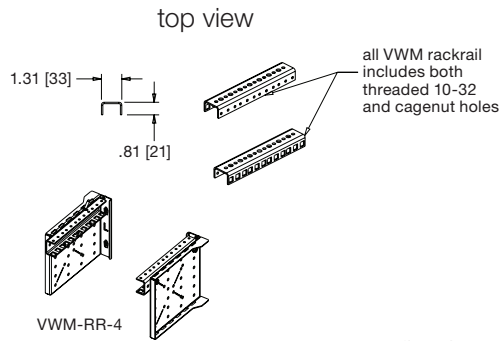
Middle Atlantic Products

middleatlantic.com | middleatlantic.ca

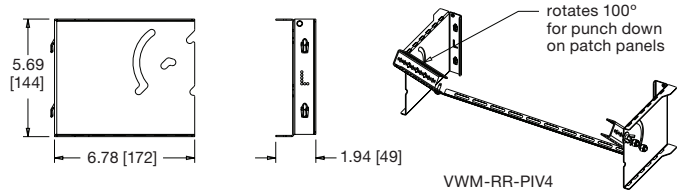
VWM Series

rackrail basic dimensions

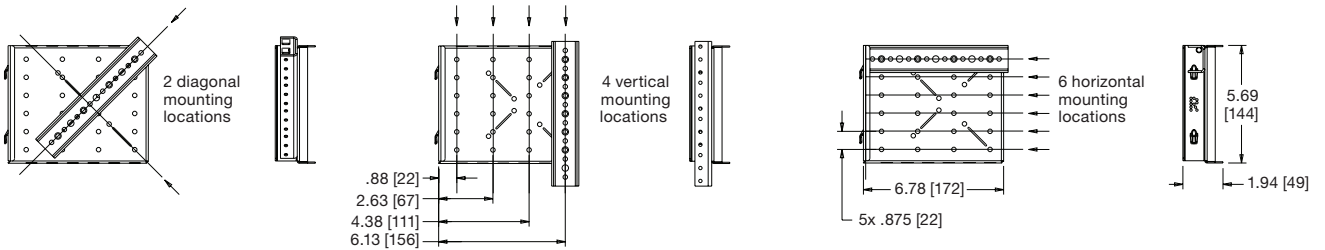
all dimensions in inches unless otherwise noted [all dimensions in brackets are in millimeters]



pivoting mounting bracket left



fixed mounting bracket right rail position options



Part #	Bracket Type	Useable Rackspace	Mounting Configurations	Fits 10" Deep Backpan with Door Option	Fits 16" Deep Backpan with Door Option
VWM-RR-2	fixed	2	horizontal vertical diagonal	X	X
VWM-RR-4	fixed	4		X	X
VWM-RR-5	fixed	5		X	X
VWM-RR-6	fixed	6		-	X
VWM-RR-8	fixed	8		-	X
VWM-RR-PIV-2	pivoting	2	-45°	X	X
VWM-RR-PIV-4	pivoting	4		X	X

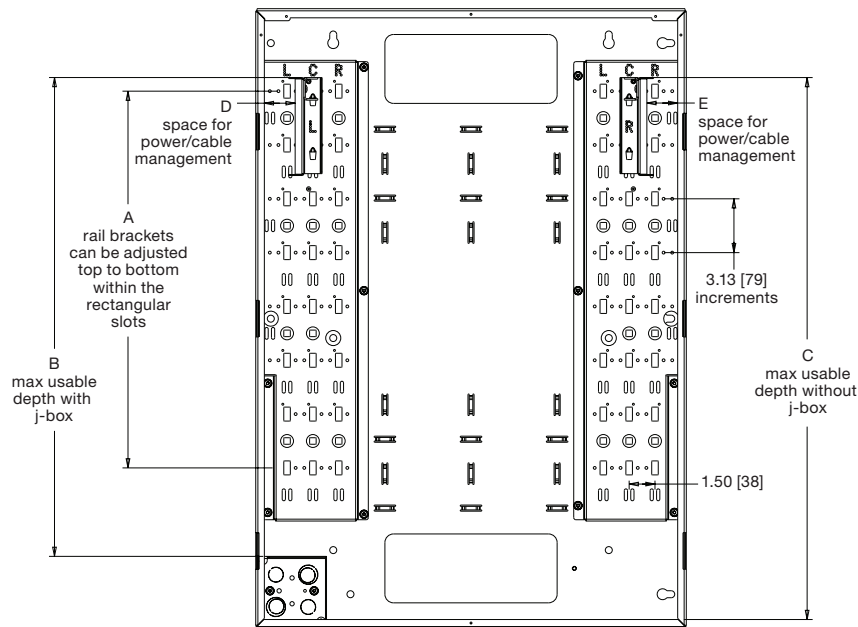
VWM Series

mounting bracket basic dimensions

all dimensions in inches unless otherwise noted [all dimensions in brackets are in millimeters]

mounting bracket adjustability

rail brackets can be justified left, center, or right



Part #	A Range of Adjustability	B Max Usable Depth with J-box	C Max Usable Depth without J-box
VWM-36-XX-XX	21.88 [556]	27.80 [706]	31.47 [799]
VWM-42-XX-XX	27.88 [708]	33.80 [859]	37.47 [952]

Note: maximum usable depth assumes fixed mounting bracket is assembled in the top-most position and rackrail is assembled horizontally in the top-most position

Rackrail Mounting Bracket Location	D Space for Power/Cable Management	E Space for Power/Cable Management
left	0.29 [7]	3.29 [84]
center	1.79 [45]	1.79 [45]
right	3.29 [84]	0.29 [7]

what **great** systems are built on.™

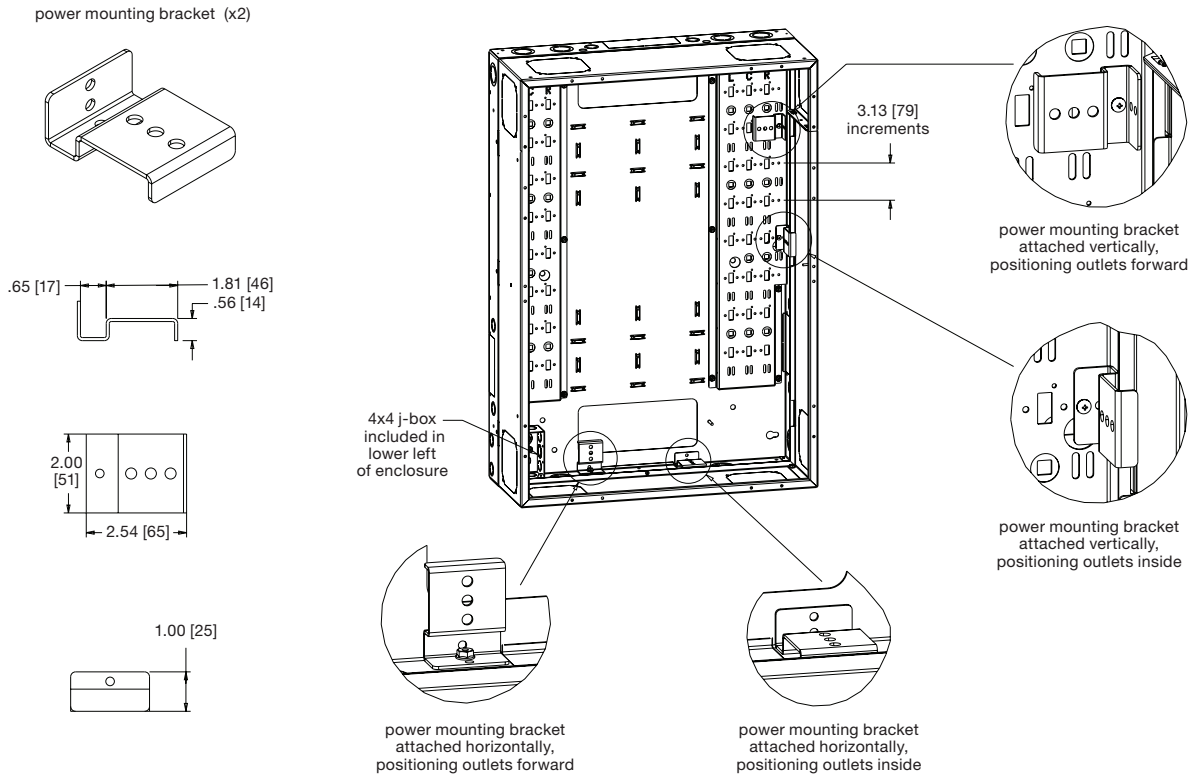
A brand of **legrand**

Middle Atlantic Products
middleatlantic.com | middleatlantic.ca

VWM Series

mounting bracket basic dimensions

all dimensions in inches unless otherwise noted [all dimensions in brackets are in millimeters]



Notes:

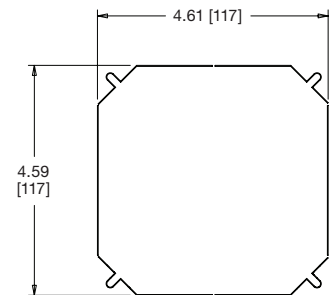
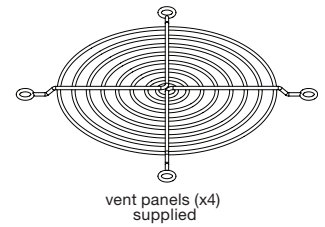
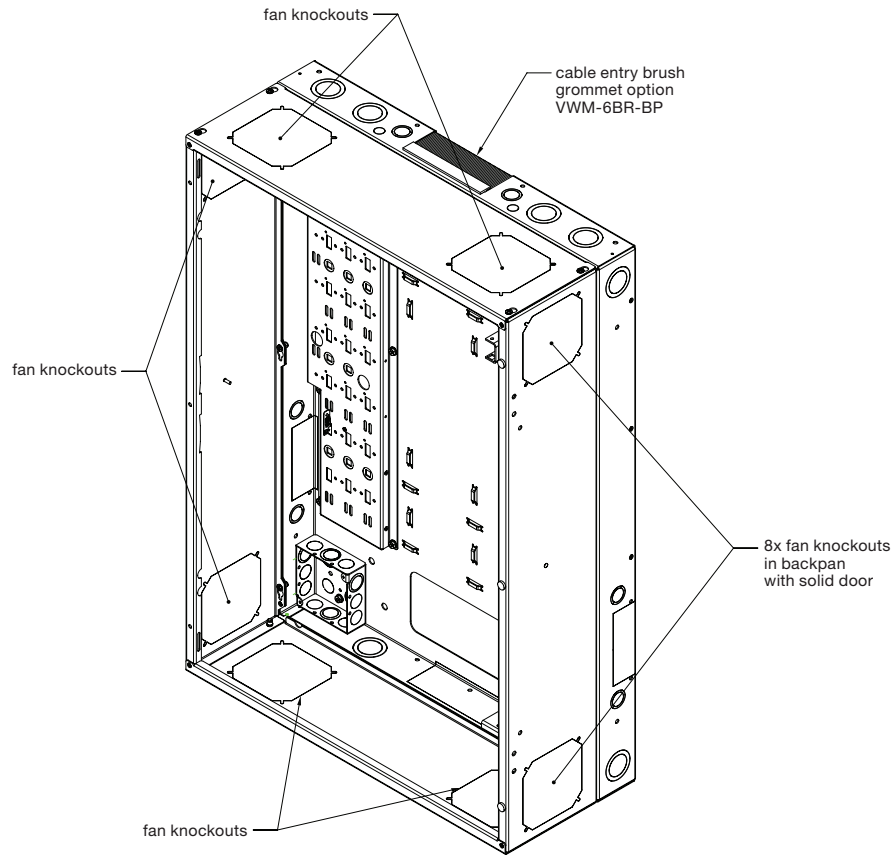
- The power mounting brackets may be installed in a variety of configurations, the following views are meant to provide examples.
- In order for the power mounting brackets to be installed along the left or right of the hat sections, the rail mounting kits must be justified opposite side, left or right.
- The VWM series fits various products from the vertical PD slim series and the vertical PDT low profile series

VWM Series

fan knockout basic dimensions

all dimensions in inches unless otherwise noted [all dimensions in brackets are in millimeters]

5

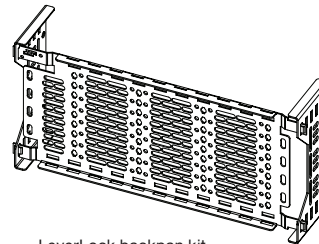
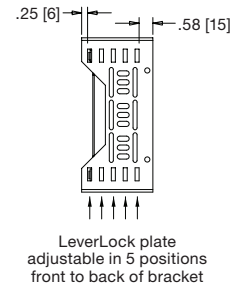
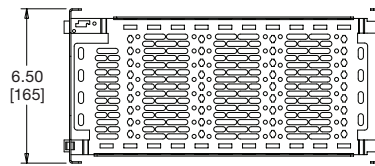
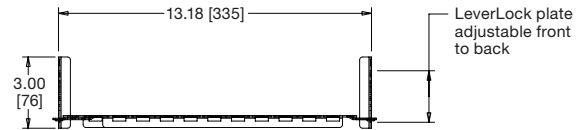
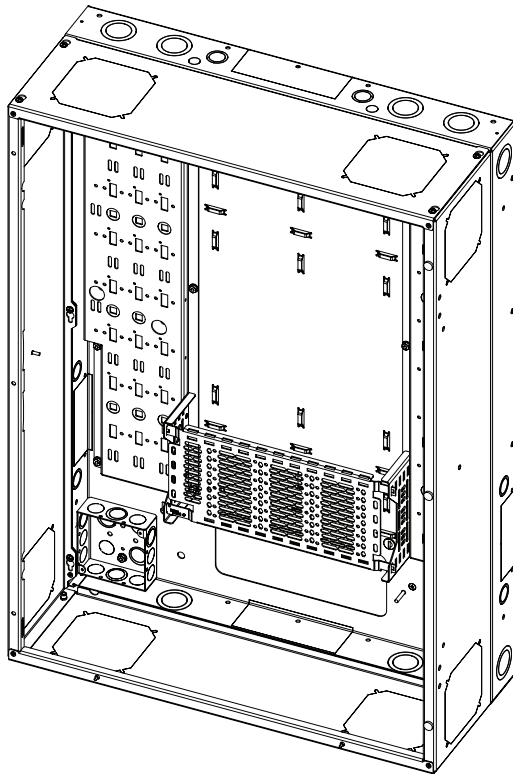


Product Configuration	Total # of Fan Knockouts
backpan with solid door	8
backpan with split door	6

VWM Series

Lever Lock™ backpan basic dimensions

all dimensions in inches unless otherwise noted [all dimensions in brackets are in millimeters]



LeverLock backpan kit
LL-VWM-BPK

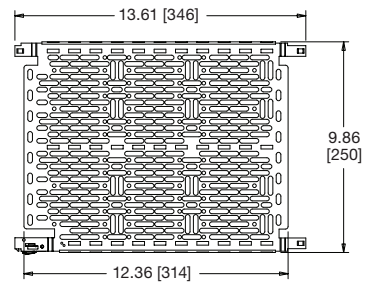
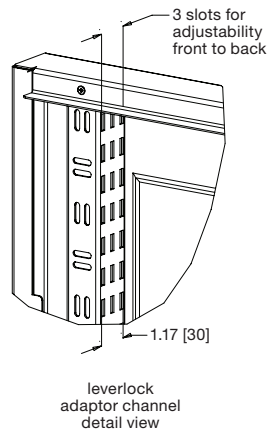
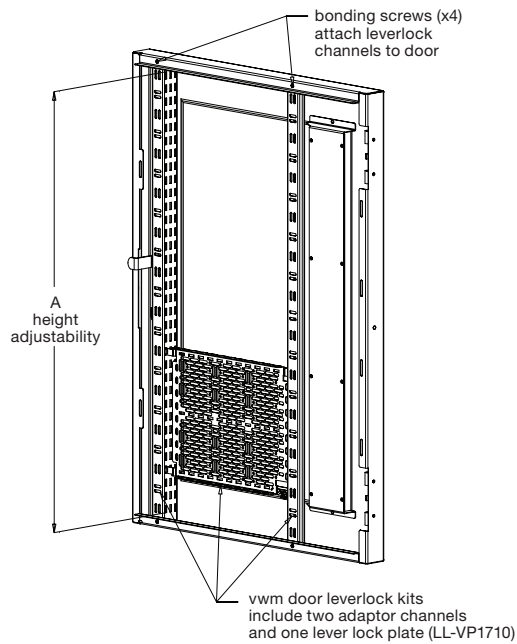
Note: all backpan options have 3 mounting positions for VWM leverlock kits (LL-VWM-BPK), however all backpan options will accept a maximum of 2 VWM leverlock kits (LL-VWM-BPK)

One Lever Lock™ kit (LL-VWM-BPK) included with each backpan

VWM Series

Lever Lock™ door kits basic dimensions

all dimensions in inches unless otherwise noted [all dimensions in brackets are in millimeters]



LL-VP1710 included in vwm door lever lock kits

Part #	Fits	A Height Adjustability
LL-VWM-36SP	36 split door	27.55 [686]
LL-VWM-36S-42SP	36 solid/42 split	33.55 [852]
LL-VWM-42S	42 solid door	39.55 [1005]

Note: Any vertical 17" lever lock option (LL-VX17) will fit horizontally between the VWM door lever lock adaptor channels

what **great systems** are built on.™

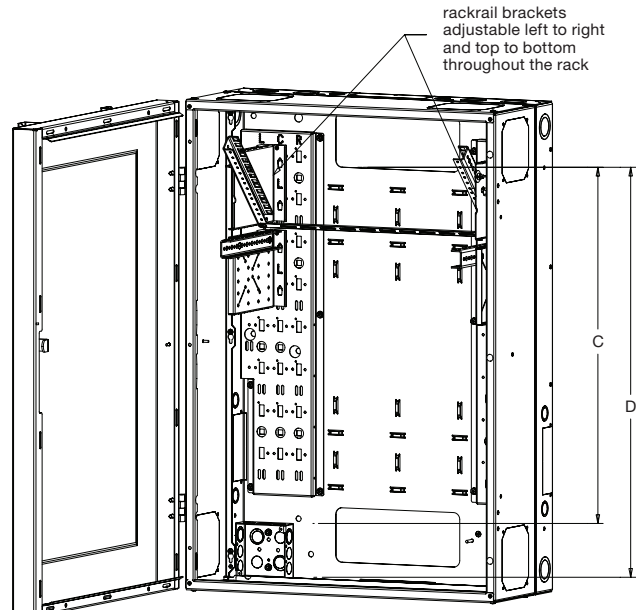
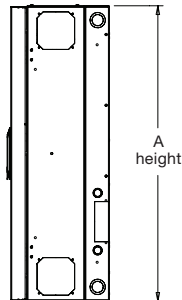
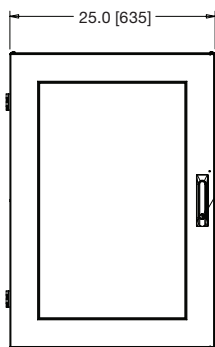
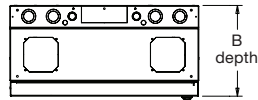
A brand of **legrand**

Middle Atlantic Products
middleatlantic.com | middleatlantic.ca

VWM Series

pre-configured solid door models dimensions

all dimensions in inches unless otherwise noted [all dimensions in brackets are in millimeters]



VWM-4-5-36K-PW shown with door open 90° (max open 180°)

NOTE: maximum usable depth assumes fixed mounting bracket is assembled in the top-most position and rackrail is assembled horizontally in the top-most position

Part #	Color	Usable Pivot Rackspaces	Fixed Rackspaces	"A" Height	"B" Depth	"C" Maximum Usable Depth With J-Box	"D" Maximum Usable Depth Without J-Box
VWM-2-2-36K-PW	putty	2	2	36 [914]	12 [305]	27.80 [706]	31.47 [799]
VWM-4-5-36K-PW	putty	4	5	36 [914]	12 [305]	27.80 [706]	31.47 [799]
VWM-4-5-42K-PW	putty	4	5	42 [1067]	12 [305]	33.80 [859]	37.47 [952]

what **great systems** are built on.™

A brand of **legrand**

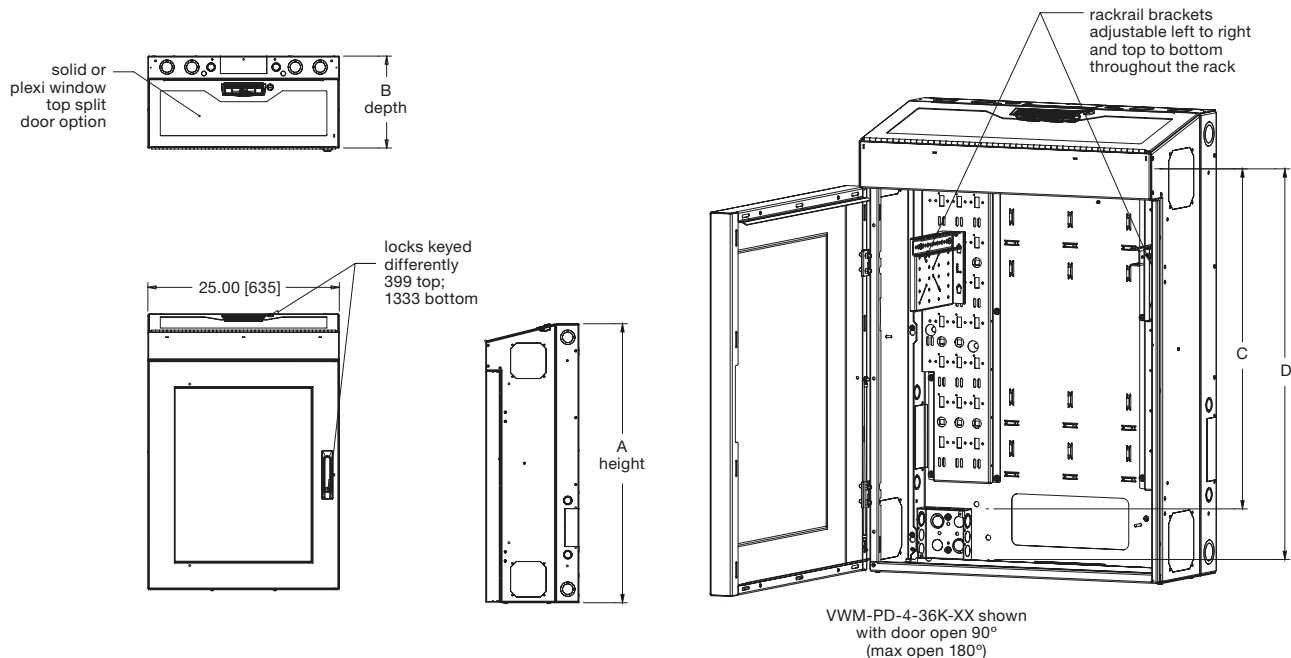
Middle Atlantic Products

middleatlantic.com | middleatlantic.ca

VWM Series

pre-configured split door models dimensions

all dimensions in inches unless otherwise noted [all dimensions in brackets are in millimeters]



NOTE: maximum usable depth assumes fixed mounting bracket is assembled in the top-most position and rackrail is assembled horizontally in the top-most position

Part #	Color	Top Split Door	Fixed Rackspaces	"A" Height	"B" Depth	"C" Maximum Usable Depth With J-Box	"D" Maximum Usable Depth Without J-Box
VWM-SD-4-36K-BW	black	solid	4	36 [914]	12 [305]	27.80 [706]	31.47 [799]
VWM-SD-6-36K-BW	black	solid	6	36 [914]	18 [457]	27.80 [706]	31.47 [799]
VWM-SD-8-36K-BW	black	solid	8	36 [914]	18 [457]	27.80 [706]	31.47 [799]
VWM-PD-4-36K-PW	putty	plexi	4	36 [914]	12 [305]	27.80 [706]	31.47 [799]
VWM-PD-6-36K-PW	putty	plexi	6	36 [914]	18 [457]	27.80 [706]	31.47 [799]
VWM-PD-8-36K-PW	putty	plexi	8	36 [914]	18 [457]	27.80 [706]	31.47 [799]